



(51) International Patent Classification:

**B01D 35/30** (2006.01)      **B01D 29/085** (2006.01)  
**B01D 29/58** (2006.01)      **B01D 25/00** (2006.01)  
**B01D 29/56** (2006.01)

(21) International Application Number:

PCT/US2012/034037

(22) International Filing Date:

18 April 2012 (18.04.2012)

(25) Filing Language:

English

(26) Publication Language:

English

(30) Priority Data:

61/476,434      18 April 2011 (18.04.2011)      US  
13/449,793      18 April 2012 (18.04.2012)      US

(71) Applicant (for all designated States except US): **CUMMINS FILTRATION IP, INC.** [US/US]; 1400 - 73rd Avenue NE, Minneapolis, MN 55432 (US).

(72) Inventors; and

(75) Inventors/Applicants (for US only): **CURT, Carey, A.** [US/US]; 630 Brotherton Drive, Cookeville, TN 38506 (US). **THOMAS, Chad, M.** [US/US]; 1498 Bradshaw Blvd., Cookeville, TN 38506 (US). **JOHNSON, Mark, J.** [US/US]; 2807 Buck Mountain Road, Cookeville, TN 38506 (US). **FALLON, Stephen, L.** [US/US]; 974 Halcyon Days Court, Oregon, WI 53575 (US).

(74) Agent: **SCHUMANN, Michael, D.**; Hamre, Schumann, Mueller & Larson, P.C., P.O. Box 2902, Minneapolis, MN 55402 (US).

(81) Designated States (unless otherwise indicated, for every kind of national protection available): AE, AG, AL, AM, AO, AT, AU, AZ, BA, BB, BG, BH, BR, BW, BY, BZ, CA, CH, CL, CN, CO, CR, CU, CZ, DE, DK, DM, DO, DZ, EC, EE, EG, ES, FI, GB, GD, GE, GH, GM, GT, HN, HR, HU, ID, IL, IN, IS, JP, KE, KG, KM, KN, KP, KR, KZ, LA, LC, LK, LR, LS, LT, LU, LY, MA, MD, ME, MG, MK, MN, MW, MX, MY, MZ, NA, NG, NI, NO, NZ, OM, PE, PG, PH, PL, PT, QA, RO, RS, RU, RW, SC, SD, SE, SG, SK, SL, SM, ST, SV, SY, TH, TJ, TM, TN, TR, TT, TZ, UA, UG, US, UZ, VC, VN, ZA, ZM, ZW.

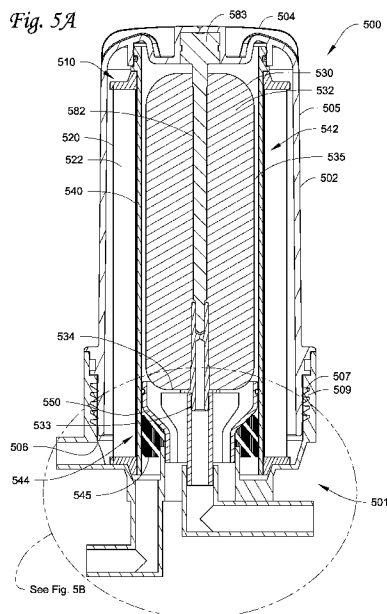
(84) Designated States (unless otherwise indicated, for every kind of regional protection available): ARIPO (BW, GH, GM, KE, LR, LS, MW, MZ, NA, RW, SD, SL, SZ, TZ, UG, ZM, ZW), Eurasian (AM, AZ, BY, KG, KZ, MD, RU, TJ, TM), European (AL, AT, BE, BG, CH, CY, CZ, DE, DK, EE, ES, FI, FR, GB, GR, HR, HU, IE, IS, IT, LT, LU, LV, MC, MK, MT, NL, NO, PL, PT, RO, RS, SE, SI, SK, SM, TR), OAPI (BF, BJ, CF, CG, CI, CM, GA, GN, GQ, GW, ML, MR, NE, SN, TD, TG).

Published:

— with international search report (Art. 21(3))

[Continued on next page]

(54) Title: FILTER-IN-FILTER WITH FUNNEL SHAPED PASSAGEWAY



(57) Abstract: A parallel flow filter-in-filter design for a filter system is provided. The filter-in-filter design provides two distinctly parallel or independent flow paths within a filter assembly in a single housing or shell. The filter assembly includes a first outer filter element radially spaced apart from a second inner filter element. A centertube and a funnel shaped passageway housed within the centertube are provided in a space between the first outer filter element and the second inner filter element. The centertube and funnel shaped passageway work in tandem to provide two distinct parallel or independent flow paths within the filter assembly. The funnel shaped passageway is provided generally below the second inner filter element within the centertube.





---

— *before the expiration of the time limit for amending the claims and to be republished in the event of receipt of amendments (Rule 48.2(h))*

**(88) Date of publication of the international search report:**  
14 February 2013

## INTERNATIONAL SEARCH REPORT

International application No.  
**PCT/US2012/034037****A. CLASSIFICATION OF SUBJECT MATTER***B01D 35/30(2006.01)i, B01D 29/58(2006.01)i, B01D 29/56(2006.01)i, B01D 29/085(2006.01)i, B01D 25/00(2006.01)i*

According to International Patent Classification (IPC) or to both national classification and IPC

**B. FIELDS SEARCHED**

Minimum documentation searched (classification system followed by classification symbols)

B01D 35/30; B01D 27/07; B01D 27/08; B01D 29/00; B01D 29/88; B01D 29/60

Documentation searched other than minimum documentation to the extent that such documents are included in the fields searched

Korean utility models and applications for utility models

Japanese utility models and applications for utility models

Electronic data base consulted during the international search (name of data base and, where practicable, search terms used)

eKOMPASS(KIPO internal) &amp; Keywords: filter-in-filter, centertube, passage, funnel passageway

**C. DOCUMENTS CONSIDERED TO BE RELEVANT**

Category*	Citation of document, with indication, where appropriate, of the relevant passages	Relevant to claim No.
A	US 2008-0099388 A1 (FROST CRISTOPHER) 01 May 2008 See the abstract, fig. 1 and paragraph [12]-[14]	1-3,9-11
A	US 2009-0308801 A1 (BEARD JOHN H. et al.) 17 December 2009 See the abstract and fig.1-6	1-3,9-11
A	US 2009-0020465 A1 (JIANG ZEMIN et al.) 22 January 2009 See the abstract and fig.1-16F	1-3,9-11

 Further documents are listed in the continuation of Box C. See patent family annex.

\* Special categories of cited documents:

"A" document defining the general state of the art which is not considered to be of particular relevance

"E" earlier application or patent but published on or after the international filing date

"L" document which may throw doubts on priority claim(s) or which is cited to establish the publication date of citation or other special reason (as specified)

"O" document referring to an oral disclosure, use, exhibition or other means

"P" document published prior to the international filing date but later than the priority date claimed

"T" later document published after the international filing date or priority date and not in conflict with the application but cited to understand the principle or theory underlying the invention

"X" document of particular relevance; the claimed invention cannot be considered novel or cannot be considered to involve an inventive step when the document is taken alone

"Y" document of particular relevance; the claimed invention cannot be considered to involve an inventive step when the document is combined with one or more other such documents, such combination being obvious to a person skilled in the art

"&amp;" document member of the same patent family

Date of the actual completion of the international search

30 NOVEMBER 2012 (30.11.2012)

Date of mailing of the international search report

**30 NOVEMBER 2012 (30.11.2012)**

Name and mailing address of the ISA/KR

Korean Intellectual Property Office  
189 Cheongsu-ro, Seo-gu, Daejeon Metropolitan  
City, 302-701, Republic of Korea

Facsimile No. 82-42-472-7140

Authorized officer

JO Soo Ik

Telephone No. 82-42-481-5893



**INTERNATIONAL SEARCH REPORT**

International application No.

**PCT/US2012/034037****Box No. II Observations where certain claims were found unsearchable (Continuation of item 2 of first sheet)**

This international search report has not been established in respect of certain claims under Article 17(2)(a) for the following reasons:

1.  Claims Nos.:  
because they relate to subject matter not required to be searched by this Authority, namely:
  
2.  Claims Nos.:  
because they relate to parts of the international application that do not comply with the prescribed requirements to such an extent that no meaningful international search can be carried out, specifically:
  
3.  Claims Nos.: 4-8,12-15  
because they are dependent claims and are not drafted in accordance with the second and third sentences of Rule 6.4(a).

**Box No. III Observations where unity of invention is lacking (Continuation of item 3 of first sheet)**

This International Searching Authority found multiple inventions in this international application, as follows:

1.  As all required additional search fees were timely paid by the applicant, this international search report covers all searchable claims.
2.  As all searchable claims could be searched without effort justifying an additional fee, this Authority did not invite payment of any additional fee.
3.  As only some of the required additional search fees were timely paid by the applicant, this international search report covers only those claims for which fees were paid, specifically claims Nos.:
  
4.  No required additional search fees were timely paid by the applicant. Consequently, this international search report is restricted to the invention first mentioned in the claims; it is covered by claims Nos.:

**Remark on Protest**

- The additional search fees were accompanied by the applicant's protest and, where applicable, the payment of a protest fee.
- The additional search fees were accompanied by the applicant's protest but the applicable protest fee was not paid within the time limit specified in the invitation.
- No protest accompanied the payment of additional search fees.

**INTERNATIONAL SEARCH REPORT**

Information on patent family members

International application No.

**PCT/US2012/034037**

Patent document cited in search report	Publication date	Patent family member(s)	Publication date
US 2008-0099388 A1	01.05.2008	EP 1918006 A1	07.05.2008
US 2009-0308801 A1	17.12.2009	AU 2009-202399 A1	07.01.2010
		BR P10901771A2	13.04.2010
		CA 2669005 A1	16.12.2009
		EP 2135658 A2	23.12.2009
		JP 2010-000501 A	07.01.2010
		MX 2009006383 A	15.01.2010
		US 8128819 B2	06.03.2012
US 2009-0020465 A1	22.01.2009	CN 101842572 A	22.09.2010
		DE 112008001593 T5	17.06.2010
		US 2011-0073538 A1	31.03.2011
		US 7867387 B2	11.01.2011
		WO 2009-014834 A1	29.01.2009