



US00D749465S

(12) **United States Design Patent**
Reaux

(10) **Patent No.:** **US D749,465 S**

(45) **Date of Patent:** **** Feb. 16, 2016**

- (54) **WHEELCHAIR COVER**
- (71) Applicant: **Brian K. Reaux**, Red Oak, TX (US)
- (72) Inventor: **Brian K. Reaux**, Red Oak, TX (US)
- (73) Assignee: **Brian K. Reaux**, Red Oak, TX (US)
- (**) Term: **14 Years**
- (21) Appl. No.: **29/474,076**

D671,867 S *	12/2012	Mondotte	D12/133
D685,988 S *	7/2013	Shepherd	D3/216
8,517,462 B2 *	8/2013	Birch	A01M 31/02 297/129
D716,192 S *	10/2014	Mondotte	D12/133
9,004,592 B2 *	4/2015	Boston	A61G 5/02 297/225
2012/0292879 A1	11/2012	Ferniany		
2013/0140780 A1	6/2013	Paul		
2013/0140782 A1	6/2013	Paul		
2013/0140788 A1	6/2013	Paul		

- (22) Filed: **May 21, 2014**
- (51) **LOC (10) Cl.** **12-12**
- (52) **U.S. Cl.**
USPC **D12/133**
- (58) **Field of Classification Search**
USPC D12/131, 133; D6/611
CPC A61G 5/00-5/14
See application file for complete search history.

* cited by examiner

Primary Examiner — Susan Bennett Hattan
Assistant Examiner — Charles Hanson

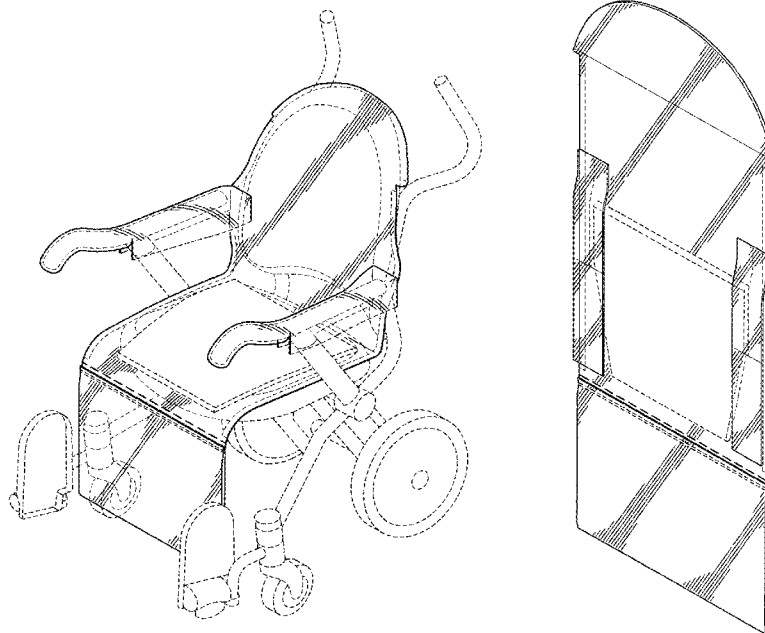
(57) **CLAIM**
The ornamental design for a wheelchair cover, as shown and described.

DESCRIPTION

FIG. 1 is a perspective view of a wheelchair cover, showing my new design in use;
 FIG. 2 is a perspective view thereof; without being placed on transport wheel chair.
 FIG. 3 is a front view thereof;
 FIG. 4 is a back view thereof;
 FIG. 5 is a left side view thereof;
 FIG. 6 is a right side view thereof;
 FIG. 7 is a bottom view thereof; and,
 FIG. 8 is a top view thereof.
 The broken line showing of a wheelchair in FIG. 1 and on the article itself in all figures is included for the purpose of illustrating environment and forms no part of the claimed design.

- (56) **References Cited**
U.S. PATENT DOCUMENTS
- | | | | | |
|----------------|---------|--------------|-------|-------------------------|
| 4,932,077 A * | 6/1990 | Dobbs | | A61G 5/10
2/47 |
| 5,121,938 A * | 6/1992 | Gross | | A47C 31/11
280/304.1 |
| D396,984 S * | 8/1998 | Harvey | | D6/611 |
| D430,079 S * | 8/2000 | Catron-Batts | | D12/133 |
| 6,315,306 B1 | 11/2001 | Fernie | | |
| 6,866,337 B1 * | 3/2005 | Lash | | A47C 31/11
297/188.2 |
| 7,581,259 B2 * | 9/2009 | Thompson | | A47G 9/066
2/69.5 |
| D626,462 S * | 11/2010 | Stopyra | | D12/133 |
| 8,020,931 B2 * | 9/2011 | Frady | | A01M 31/02
297/219.1 |

1 Claim, 6 Drawing Sheets



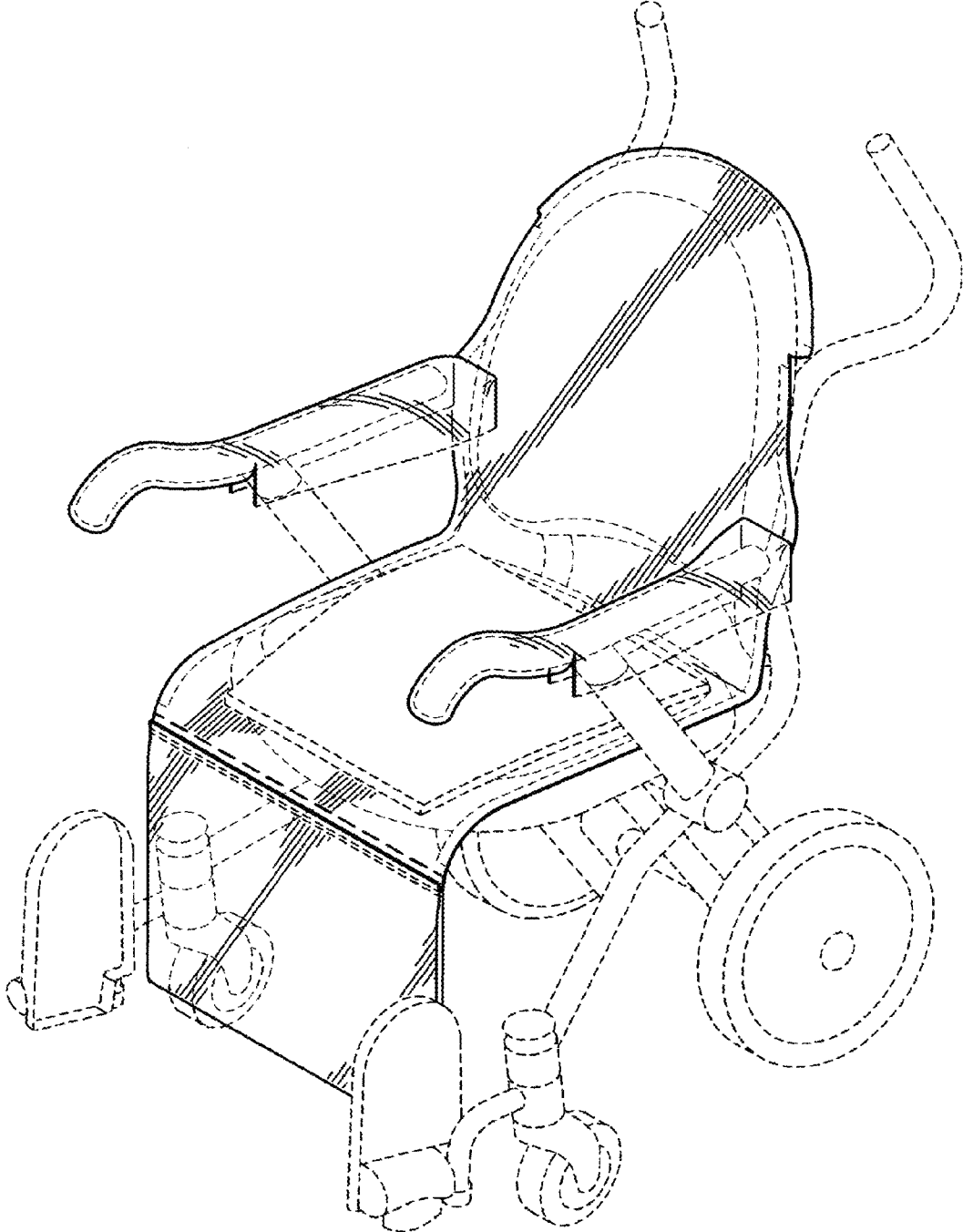


FIG. 1

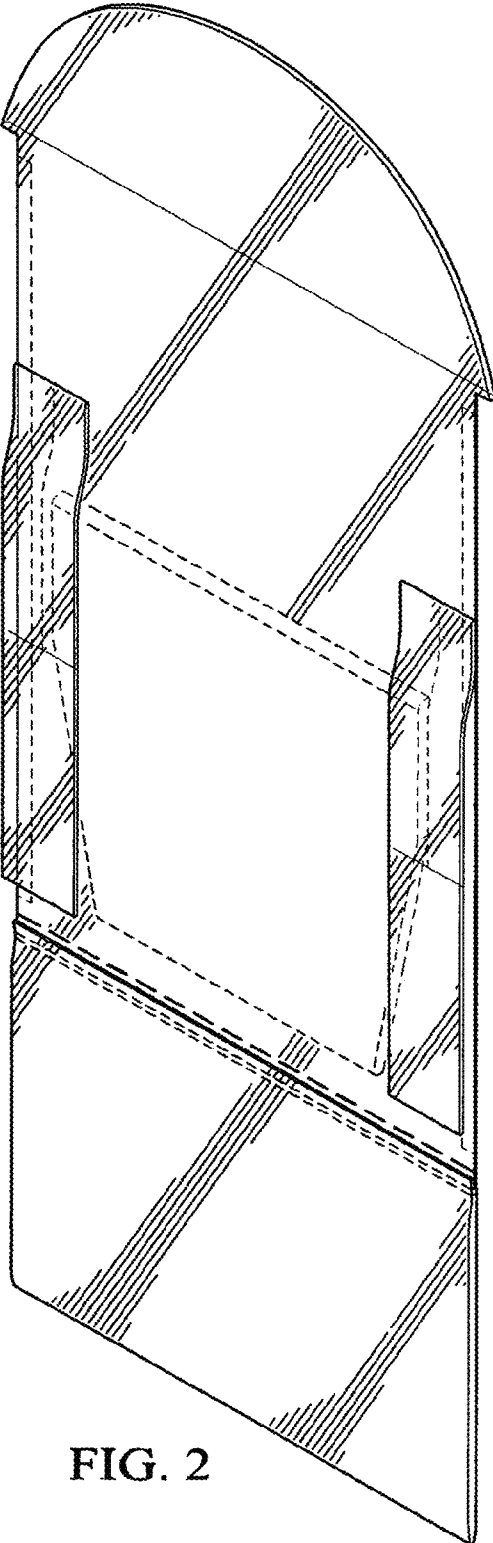


FIG. 2

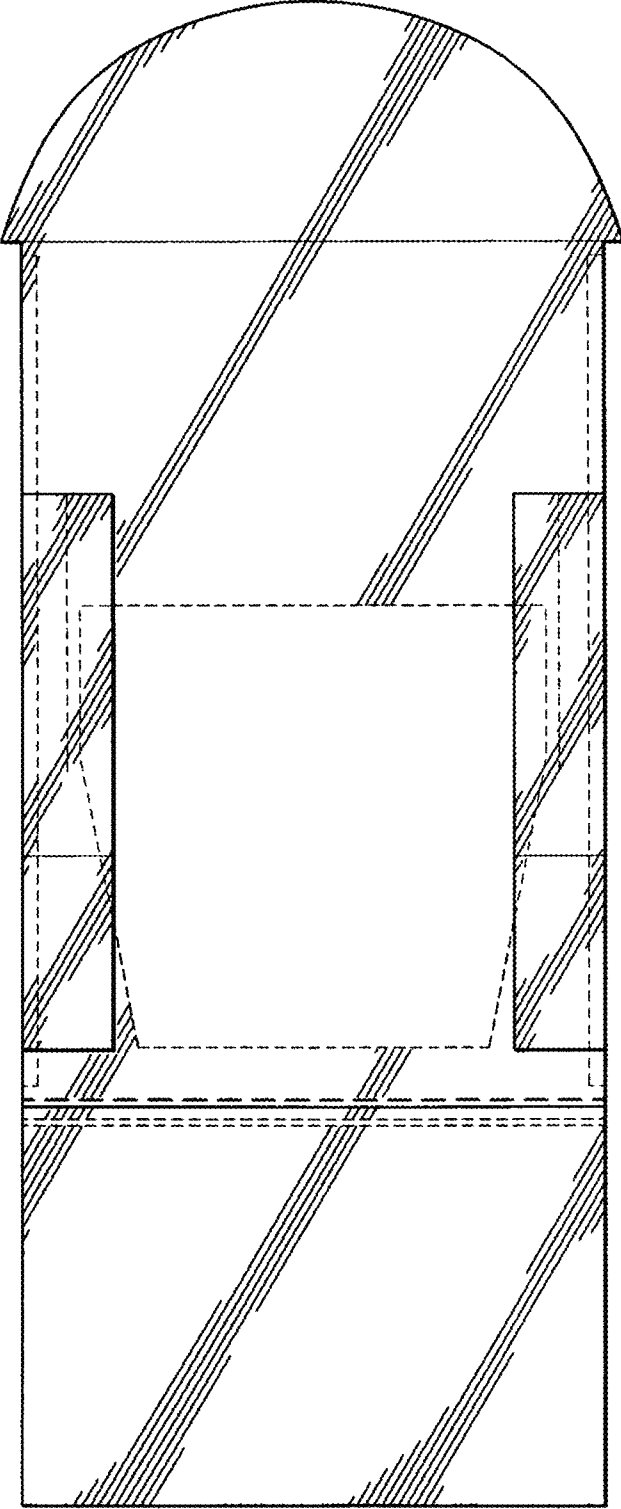


FIG. 3

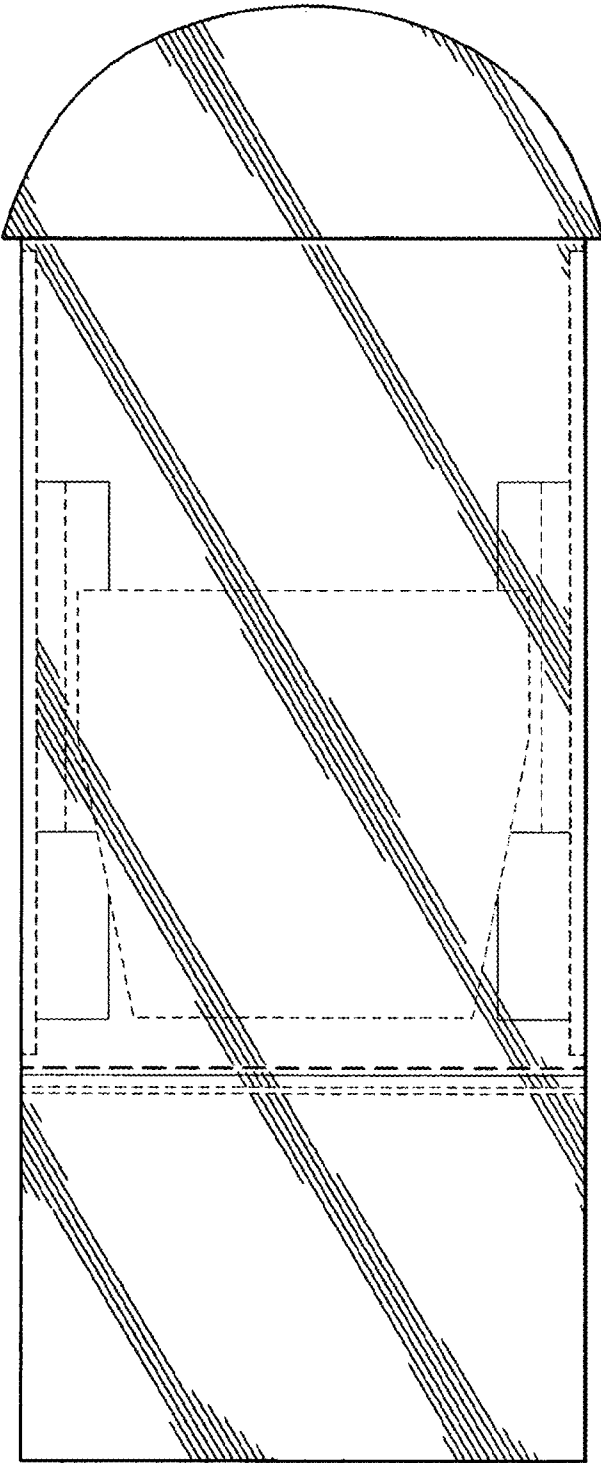


FIG. 4



FIG. 5



FIG. 6

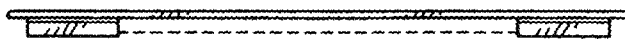


FIG. 7

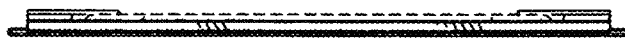


FIG. 8