

(19) World Intellectual Property
Organization
International Bureau



(43) International Publication Date
18 December 2003 (18.12.2003)

PCT

(10) International Publication Number
WO 2003/105385 A3

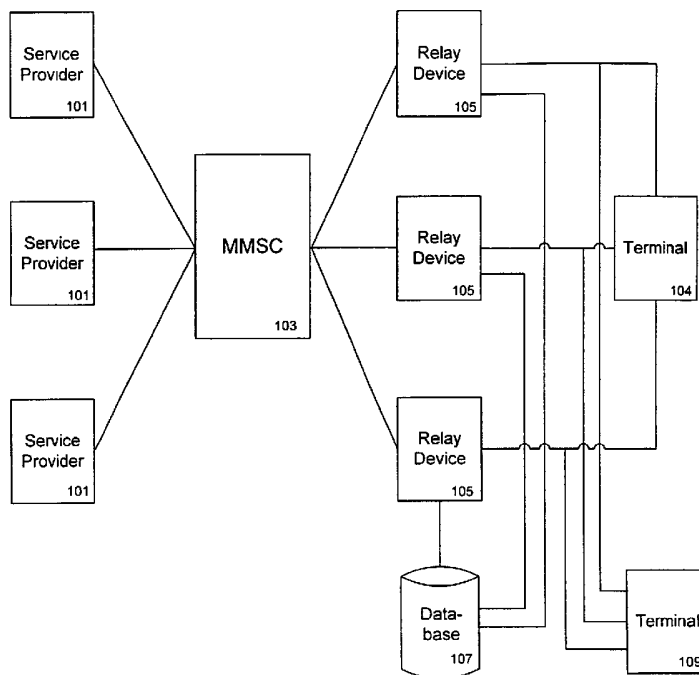
- (51) International Patent Classification⁷: **H04L 12/28**, 12/54, H04J 3/26, 3/22, 3/16, 3/24, 3/00
- (74) Agent: **FILL, Peter, N.**; Morgan & Finnegan, L.L.P., 345 Park Avenue, New York, NY 10154 (US).
- (21) International Application Number: PCT/IB2003/002107
- (81) Designated States (*national*): AE, AG, AL, AM, AT, AU, AZ, BA, BB, BG, BR, BY, BZ, CA, CH, CN, CO, CR, CU, CZ, DE, DK, DM, DZ, EC, EE, ES, FI, GB, GD, GE, GH, GM, HR, HU, ID, IL, IN, IS, JP, KE, KG, KP, KR, KZ, LC, LK, LR, LS, LT, LU, LV, MA, MD, MG, MK, MN, MW, MX, MZ, NI, NO, NZ, OM, PH, PL, PT, RO, RU, SC, SD, SE, SG, SK, SL, TJ, TM, TN, TR, TT, TZ, UA, UG, UZ, VC, VN, YU, ZA, ZM, ZW.
- (22) International Filing Date: 4 June 2003 (04.06.2003)
- (25) Filing Language: English
- (26) Publication Language: English
- (30) Priority Data: 10/164,787 6 June 2002 (06.06.2002) US
- (84) Designated States (*regional*): ARIPO patent (GH, GM, KE, LS, MW, MZ, SD, SL, SZ, TZ, UG, ZM, ZW), Eurasian patent (AM, AZ, BY, KG, KZ, MD, RU, TJ, TM), European patent (AT, BE, BG, CH, CY, CZ, DE, DK, EE, ES, FI, FR, GB, GR, HU, IE, IT, LU, MC, NL, PT, RO, SE, SI, SK, TR), OAPI patent (BF, BJ, CF, CG, CI, CM, GA, GN, GQ, GW, ML, MR, NE, SN, TD, TG).
- (71) Applicant: **NOKIA CORPORATION** [FI/FI]; Keilalahdentie 4, FIN-02150 Espoo (FI).
- (71) Applicant (*for LC only*): **NOKIA INC.** [US/US]; 6000 Connection Drive, Irving, TX 75039 (US).
- (72) Inventors: **PAILA, Toni**; Luoteispolku 10, FIN-10160 Degerby (FI). **SOINIO, Markku**; Viherlaaksonranta 14 A 1, FIN-02710 Espoo (FI).

Published:

- with international search report
- before the expiration of the time limit for amending the claims and to be republished in the event of receipt of amendments

[Continued on next page]

(54) Title: SYSTEM AND METHOD FOR THE MULTICAST DISTRIBUTION OF MULTIMEDIA MESSAGING SERVICE MESSAGES



(57) Abstract: A system (Fig. 1) and method for delivering Multimedia Messaging Service (MMS) messages from service providers (101) to terminals (109, 104).

WO 2003/105385 A3



(88) Date of publication of the international search report:
22 April 2004

For two-letter codes and other abbreviations, refer to the "Guidance Notes on Codes and Abbreviations" appearing at the beginning of each regular issue of the PCT Gazette.

INTERNATIONAL SEARCH REPORT

International application No.
PCT/IB03/02107

A. CLASSIFICATION OF SUBJECT MATTER
 IPC(7) : H04L 12/28,12/54; H04J 3/26, 3/22, 3/16, 3/24, 3/00
 US CL : 370/390, 392,428,432, 469, 474, 475, 476
 According to International Patent Classification (IPC) or to both national classification and IPC

B. FIELDS SEARCHED
 Minimum documentation searched (classification system followed by classification symbols)
 U.S. : 370/390, 392,428,432, 469, 474, 475, 476

Documentation searched other than minimum documentation to the extent that such documents are included in the fields searched
 none

Electronic data base consulted during the international search (name of data base and, where practicable, search terms used)
 Please See Continuation Sheet

C. DOCUMENTS CONSIDERED TO BE RELEVANT

Category *	Citation of document, with indication, where appropriate, of the relevant passages	Relevant to claim No.
X P	US 2003/0154300 A1 (MOSTAFA) 14 August 2003, summary, sections 1,2,12,15,17,18,27,55,79,90	1-60
X P	US 2002/0087549 A1 (MOSTAFA) 04 July 2002, sections 2,5,10,12,55,87,93,95,102, 111	1-60

Further documents are listed in the continuation of Box C. See patent family annex.

* Special categories of cited documents:	
"A" document defining the general state of the art which is not considered to be of particular relevance	"T" later document published after the international filing date or priority date and not in conflict with the application but cited to understand the principle or theory underlying the invention
"E" earlier application or patent published on or after the international filing date	"X" document of particular relevance; the claimed invention cannot be considered novel or cannot be considered to involve an inventive step when the document is taken alone
"L" document which may throw doubts on priority claim(s) or which is cited to establish the publication date of another citation or other special reason (as specified)	"Y" document of particular relevance; the claimed invention cannot be considered to involve an inventive step when the document is combined with one or more other such documents, such combination being obvious to a person skilled in the art
"O" document referring to an oral disclosure, use, exhibition or other means	"&" document member of the same patent family
"P" document published prior to the international filing date but later than the priority date claimed	

Date of the actual completion of the international search: 29 January 2004 (29.01.2004)
 Date of mailing of the international search report: 23 FEB 2004

Name and mailing address of the ISA/US:
 Mail Stop PCT, Attn: ISA/US
 Commissioner for Patents
 P.O. Box 1450
 Alexandria, Virginia 22313-1450
 Facsimile No. (703)305-3230

Authorized officer:
 David R Vincent
 Telephone No. 703 606 0377

INTERNATIONAL SEARCH REPORT

PCT/IB03/02107

Continuation of B. FIELDS SEARCHED Item 3:

East;

search terms: multimedia messaging services, multicast, IP, mobile