



(12) **United States Design Patent**  
**Blanchard et al.**

(10) **Patent No.:** **US D733,289 S**  
(45) **Date of Patent:** **\*\* Jun. 30, 2015**

- (54) **CATHETER PLACEMENT DEVICE**
- (75) Inventors: **Daniel B. Blanchard**, North Salt Lake, UT (US); **Jay A. Muse**, Centerville, UT (US)
- (73) Assignee: **C. R. Bard, Inc.**, Murray Hill, NJ (US)
- (\*\*) Term: **14 Years**
- (21) Appl. No.: **29/431,403**
- (22) Filed: **Sep. 6, 2012**

4,354,491 A 10/1982 Marbry  
 4,417,886 A 11/1983 Frankhouser et al.  
 4,581,019 A 4/1986 Curelaru et al.

(Continued)

**FOREIGN PATENT DOCUMENTS**

CN 102939129 A 2/2013  
 EP 747075 A2 12/1996

(Continued)

**OTHER PUBLICATIONS**

Access Scientific, The PICC Wand® Product Data Sheet, Revision F, May 22, 2012.

(Continued)

**Related U.S. Application Data**

- (63) Continuation of application No. 13/107,781, filed on May 13, 2011.
  - (51) **LOC (10) Cl.** ..... **24-02**
  - (52) **U.S. Cl.**  
USPC ..... **D24/112**
  - (58) **Field of Classification Search**  
USPC ..... D24/112-114, 133, 186, 130, 127;  
606/181, 185; 604/264, 272, 115,  
604/164.01-164.09, 533, 232, 187, 168.01,  
604/192, 19, 48, 93.01, 523, 524, 526;  
600/101, 139, 143; 128/200.24,  
128/207.14, 207.15
- See application file for complete search history.

*Primary Examiner* — David Muller  
(74) *Attorney, Agent, or Firm* — Rutan & Tucker, LLP

(57) **CLAIM**  
The ornamental design for a catheter placement device, as shown and described.

**DESCRIPTION**

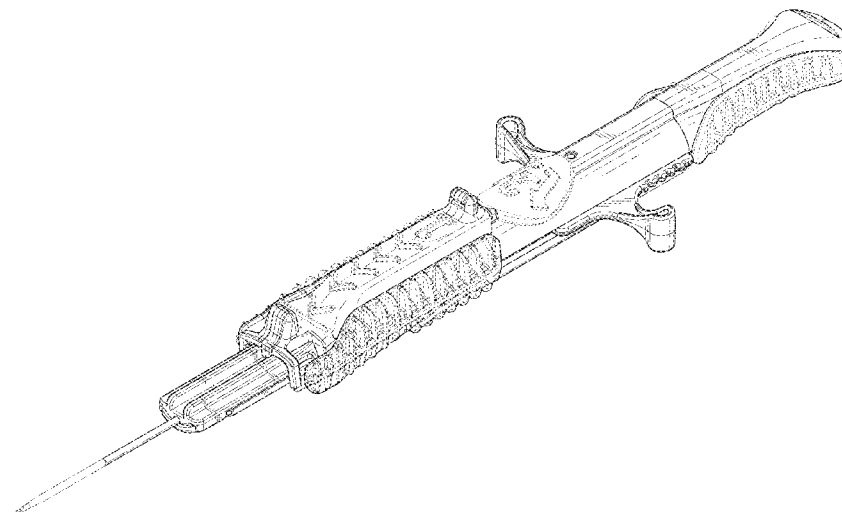
FIG. 1 is a top perspective view of a first embodiment of a catheter placement device;  
 FIG. 2 is a top view of the catheter placement device illustrated in FIG. 1;  
 FIG. 3 is a bottom view of the catheter placement device illustrated in FIG. 1;  
 FIG. 4 is a first side view of the catheter placement device illustrated in FIG. 1;  
 FIG. 5 is a second side view of the catheter placement device illustrated in FIG. 1;  
 FIG. 6 is a front view of the catheter placement device illustrated in FIG. 1; and,  
 FIG. 7 is a rear view of the catheter placement device illustrated in FIG. 1.

The broken line showing of parts of the drawings is included for the purpose of illustrating use and environment and forms no part of the claimed design.

(56) **References Cited**  
**U.S. PATENT DOCUMENTS**

3,185,151 A	5/1965	Czorny
3,297,030 A	1/1967	Czorny et al.
3,500,828 A	3/1970	Podhora
3,589,361 A	6/1971	Loper et al.
3,592,192 A	7/1971	Harautuneian
3,682,173 A	8/1972	Center
3,921,631 A	11/1975	Thompson
3,995,628 A	12/1976	Gula et al.
4,079,738 A	3/1978	Dunn et al.

**1 Claim, 4 Drawing Sheets**



(56)

## References Cited

## U.S. PATENT DOCUMENTS

D287,877 S *	1/1987	Holewinski et al. ....	D24/114	5,562,633 A	10/1996	Wozencroft et al.
4,728,322 A	3/1988	Walker et al.		5,569,202 A	10/1996	Kovalic et al.
4,772,267 A	9/1988	Brown		5,591,194 A	1/1997	Berthiaume
4,781,703 A	11/1988	Walker et al.		5,599,291 A	2/1997	Balbierz et al.
4,792,531 A	12/1988	Kakahana		5,613,663 A	3/1997	Schmidt et al.
4,826,070 A	5/1989	Kakahana		5,634,475 A	6/1997	Wolvek
4,828,547 A	5/1989	Sahi et al.		5,634,913 A	6/1997	Stinger
4,834,708 A	5/1989	Pillari		5,651,772 A	7/1997	Arnett
4,840,613 A	6/1989	Balbierz		5,674,241 A	10/1997	Bley et al.
4,840,622 A	6/1989	Hardy		5,683,368 A	11/1997	Schmidt
4,846,812 A	7/1989	Walker et al.		5,683,370 A	11/1997	Luther et al.
4,869,259 A	9/1989	Elkins		5,685,855 A	11/1997	Erskine
D304,079 S *	10/1989	McFarlane .....	D24/112	5,685,858 A	11/1997	Kawand
4,871,358 A	10/1989	Gold		5,685,860 A	11/1997	Chang et al.
4,883,699 A	11/1989	Aniuk et al.		5,688,249 A	11/1997	Chang et al.
4,894,052 A	1/1990	Crawford		5,702,369 A	12/1997	Mercereau
4,906,956 A	3/1990	Kakahana		5,725,503 A	3/1998	Arnett
4,911,691 A	3/1990	Aniuk et al.		5,730,150 A	3/1998	Peppel et al.
4,913,704 A	4/1990	Kurimoto		5,738,660 A	4/1998	Luther
4,955,863 A	9/1990	Walker et al.		5,743,882 A	4/1998	Luther
4,994,042 A	2/1991	Vadher		5,743,888 A	4/1998	Wilkes et al.
4,994,047 A	2/1991	Walker et al.		5,749,371 A	5/1998	Zadini et al.
5,009,642 A	4/1991	Sahi		5,755,693 A	5/1998	Walker et al.
5,019,048 A	5/1991	Margolin		5,762,630 A	6/1998	Bley et al.
5,019,049 A	5/1991	Haining		5,762,636 A	6/1998	Rupp et al.
D318,733 S *	7/1991	Wyzgala .....	D24/112	5,765,682 A	6/1998	Bley et al.
5,034,347 A	7/1991	Kakahana		5,807,342 A	9/1998	Musgrave et al.
5,061,254 A	10/1991	Karakelle et al.		5,813,411 A	9/1998	Van Bladel et al.
5,078,694 A	1/1992	Wallace		5,817,069 A	10/1998	Arnett
5,093,692 A	3/1992	Su et al.		5,827,202 A	10/1998	Miraki et al.
5,098,395 A	3/1992	Fields		5,839,470 A	11/1998	Hiejima et al.
5,108,375 A	4/1992	Harrison et al.		5,846,259 A	12/1998	Berthiaume
5,108,376 A	4/1992	Bonaldo		5,851,196 A	12/1998	Arnett
5,112,312 A	5/1992	Luther		5,853,393 A	12/1998	Bogert
5,120,317 A	6/1992	Luther		5,855,615 A	1/1999	Bley et al.
5,125,906 A	6/1992	Fleck		5,879,332 A	3/1999	Schwemberger et al.
5,135,487 A	8/1992	Morrill et al.		5,885,251 A	3/1999	Luther
5,137,515 A	8/1992	Hogan		5,891,105 A	4/1999	Mahurkar
5,149,326 A	9/1992	Woodgrift et al.		5,902,274 A	5/1999	Yamamoto et al.
5,156,596 A	10/1992	Balbierz et al.		5,902,832 A	5/1999	Van Bladel et al.
5,158,544 A	10/1992	Weinstein		5,913,848 A	6/1999	Luther et al.
5,186,168 A	2/1993	Spofford et al.		5,916,208 A	6/1999	Luther et al.
5,186,712 A	2/1993	Kelso et al.		5,928,199 A	7/1999	Nakagami
5,190,528 A	3/1993	Fonger et al.		5,944,690 A	8/1999	Falwell et al.
5,192,301 A	3/1993	Kamiya et al.		5,947,930 A	9/1999	Schwemberger et al.
5,195,974 A	3/1993	Hardy		5,951,520 A	9/1999	Burzynski et al.
5,215,527 A	6/1993	Beck et al.		5,954,698 A	9/1999	Pike
5,217,435 A	6/1993	Kring		5,957,893 A	9/1999	Luther et al.
5,219,335 A	6/1993	Willard et al.		5,964,744 A	10/1999	Balbierz et al.
5,225,369 A	7/1993	Su et al.		5,997,510 A	12/1999	Schwemberger
5,226,899 A	7/1993	Lee et al.		6,004,294 A	12/1999	Brimhall et al.
D338,955 S *	8/1993	Gresl et al. ....	D24/130	6,004,295 A	12/1999	Langer et al.
5,257,980 A	11/1993	Van Antwerp et al.		6,011,988 A	1/2000	Lynch et al.
5,297,546 A	3/1994	Spofford et al.		6,022,319 A	2/2000	Willard et al.
5,312,361 A	5/1994	Zadini et al.		6,045,734 A	4/2000	Luther et al.
5,352,205 A	10/1994	Dales et al.		6,056,726 A	5/2000	Isaacson
5,358,796 A	10/1994	Nakamura et al.		6,066,100 A	5/2000	Willard et al.
5,368,661 A	11/1994	Nakamura et al.		6,080,137 A	6/2000	Pike
5,395,341 A	3/1995	Slater		6,126,641 A	10/2000	Shields
5,397,311 A	3/1995	Walker et al.		6,139,532 A	10/2000	Howell et al.
5,405,323 A	4/1995	Rogers et al.		6,176,842 B1	1/2001	Tachibana et al.
5,415,177 A	5/1995	Zadini et al.		6,203,527 B1	3/2001	Zadini et al.
5,419,766 A	5/1995	Chang et al.		6,213,978 B1	4/2001	Voyten
5,431,506 A	7/1995	Masunaga		6,228,062 B1	5/2001	Howell et al.
5,454,785 A	10/1995	Smith		6,228,073 B1	5/2001	Noone et al.
5,458,658 A	10/1995	Sircom		6,268,399 B1	7/2001	Hultine et al.
5,480,389 A	1/1996	McWha et al.		6,270,480 B1	8/2001	Dorr et al.
5,482,395 A	1/1996	Gasparini		6,309,379 B1	10/2001	Willard et al.
5,484,419 A	1/1996	Fleck		6,368,337 B1	4/2002	Kieturakis et al.
5,507,300 A	4/1996	Mukai et al.		6,379,333 B1	4/2002	Brimhall et al.
5,522,807 A	6/1996	Luther		D457,955 S *	5/2002	Bilitz .....
5,531,701 A	7/1996	Luther		D460,179 S *	7/2002	Isoda et al. ....
5,533,988 A	7/1996	Dickerson et al.		6,422,989 B1	7/2002	Hektner
5,554,136 A	9/1996	Luther		6,451,052 B1	9/2002	Burmeister et al.
5,562,631 A	10/1996	Bogert		6,461,362 B1	10/2002	Halseth et al.
				6,475,217 B1	11/2002	Platt
				6,478,779 B1	11/2002	Hu
				6,497,681 B1	12/2002	Brenner



(56)

**References Cited**

OTHER PUBLICATIONS

BD Saf-T-Intima™ Integrated Safety IV Catheter Brochure, © 2001. Becton Dickinson, Insyte® AutoGuard™ Shielded I.V. Catheter Brochure, 1998.

Hadaway, Lynn C., A Midline Alternative to Central and Peripheral Venous Access, Caring Magazine, May 1990, pp. 45-50.

Menlo Care, Landmark™ Aquavene® Catheters Brochure, 1992.

Menlo Care, Landmark® Midline Catheter Maintenance and Reference Guide.

Menlo Care, Landmark® Midline Catheters Brochure, 1991.

Menlo Care, Landmark® Venous Access Device Insertion Instructions.

Menlo Care, Publications on Aquavene® Technology, Aug. 1992.

PCT/US2011/036530 filed May 13, 2011 International Search Report dated Oct. 6, 2011.

PCT/US2011/036530 filed May 13, 2011 Written Opinion of the International Searching Authority dated Oct. 6, 2011.

PCT/US2012/026618 International Search Report and Written Opinion dated Jun. 25, 2012.

PR Newswire, Luther Medical Products, Inc. Receives Approval to Supply Improved Neonatal Product to Japan, Aug. 20, 1998.

Razor, Julia S, Review of Catheter-related infection rates: comparison of conventional catheter materials with Aquavene®, JVAN vol. 1, No. 3, Spring 1991.

Waltimore, B. and Razor, J.S., Midline catheter: Virtually bloodless insertion technique and needle safety tube minimize potential for transmission of bloodborne disease. Sponsored by national Foundation for Infectious Diseases. 5th National forum on AIDS, Hepatitis, and other blood-borne diseases. Atlanta, GA, Mar. 1992.

\* cited by examiner

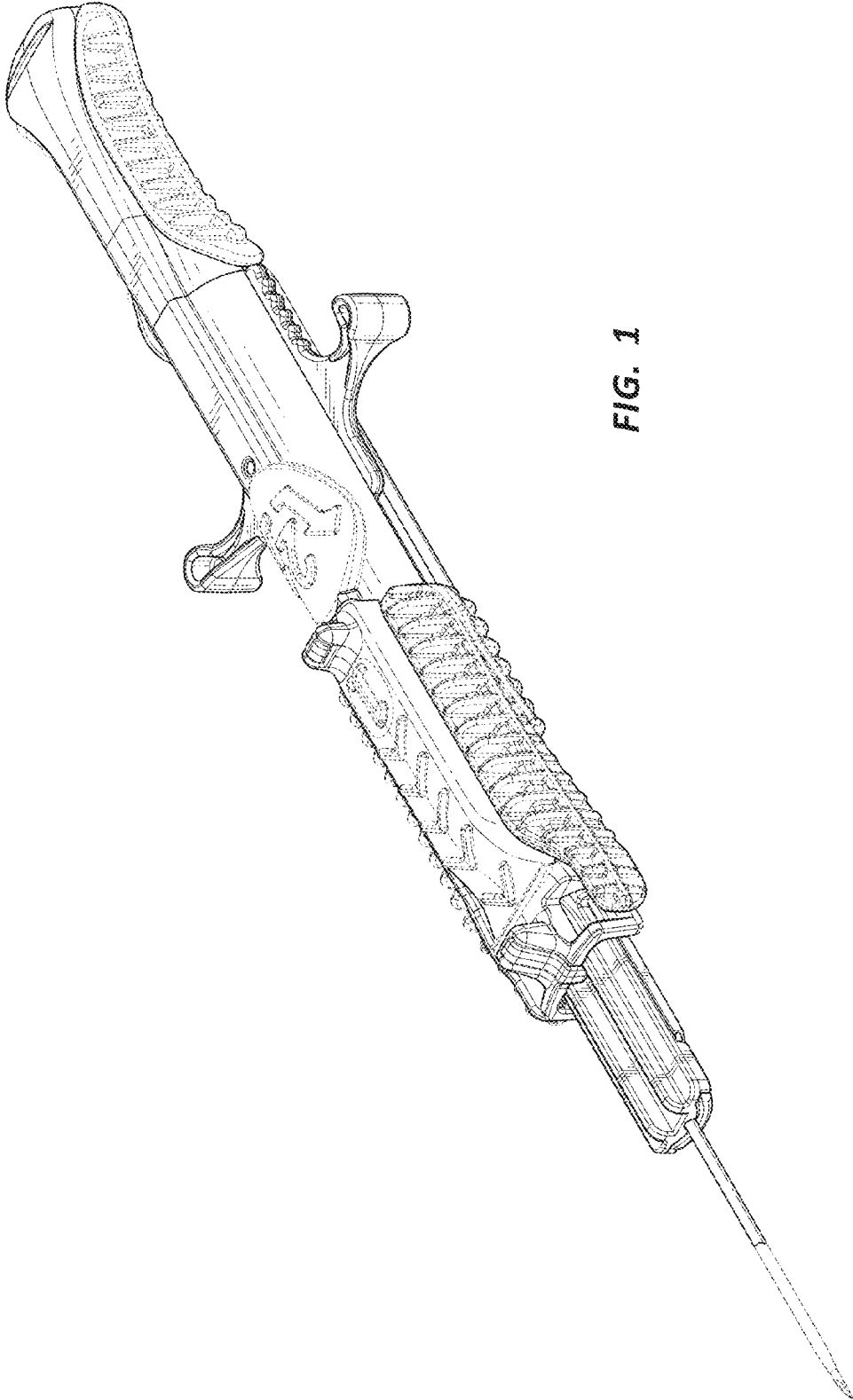


FIG. 1

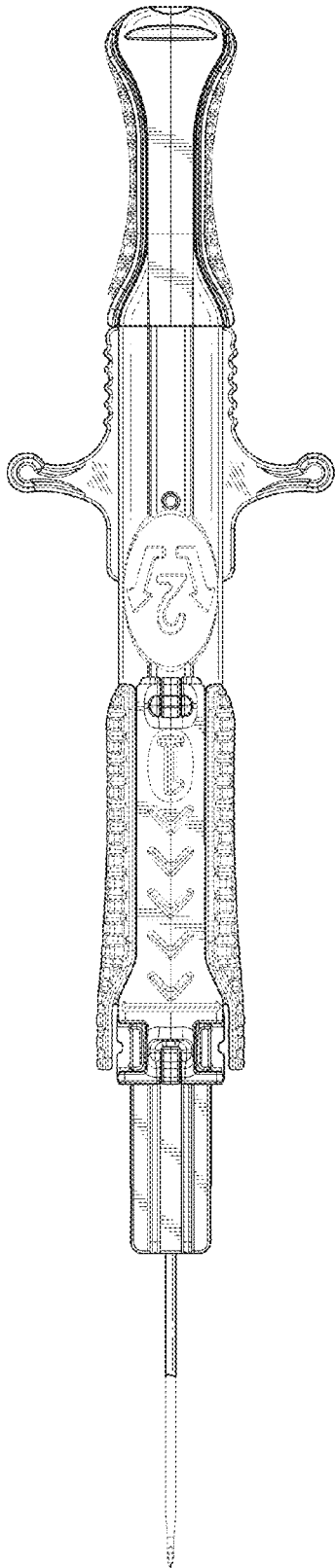


FIG. 2

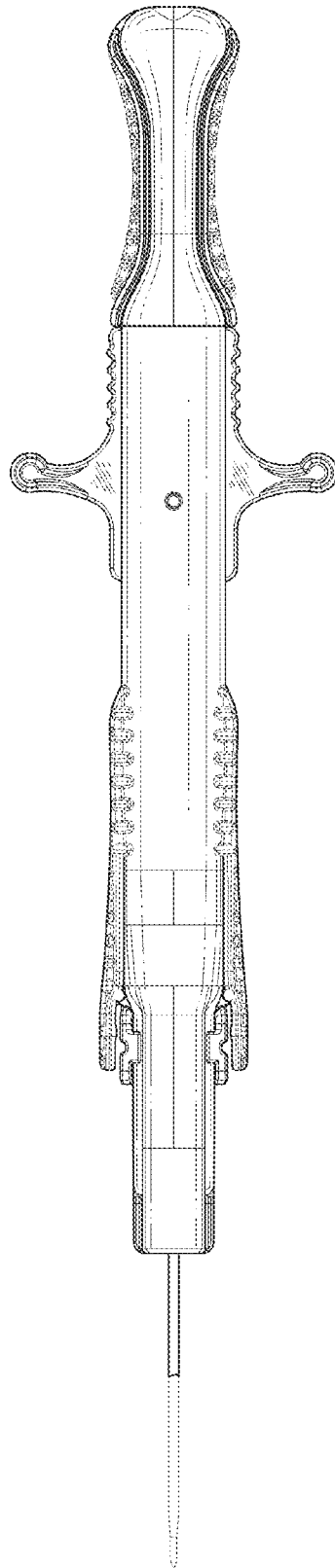


FIG. 3

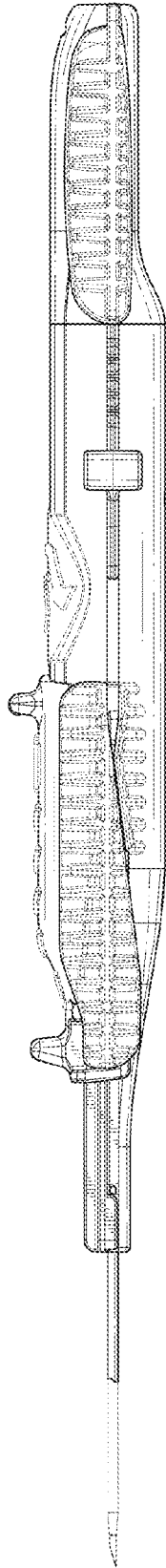


FIG. 4

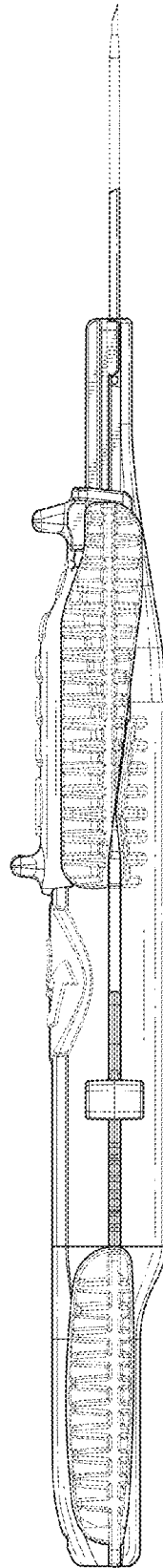
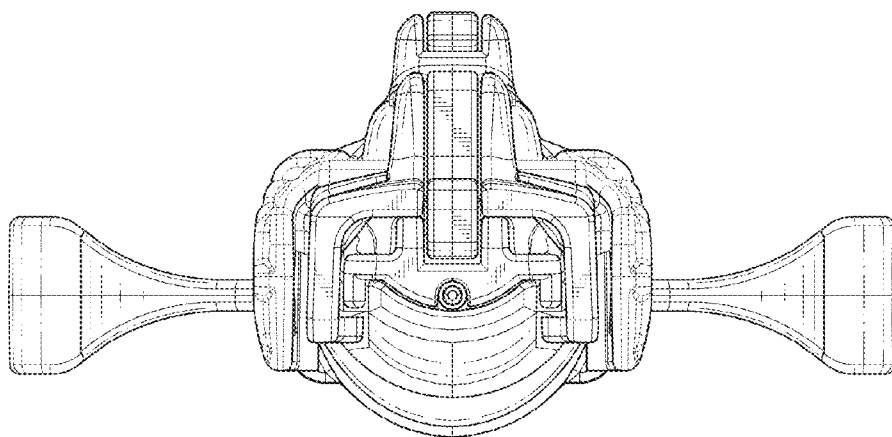
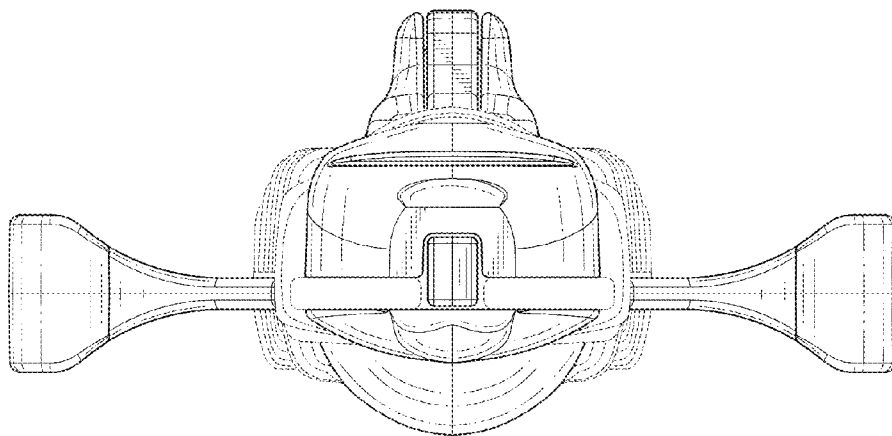


FIG. 5



**FIG. 6**  
*(Enlarged Scale)*



**FIG. 7**  
*(Enlarged Scale)*