



US00D496560S1

(12) **United States Design Patent**
Lerner

(10) **Patent No.:** **US D496,560 S**

(45) **Date of Patent:** **** Sep. 28, 2004**

(54) **RECTANGULAR FOOD STORAGE
CONTAINER WITH REMOVABLE
THERMAL PRESERVATION INSERT**

4,412,630 A * 11/1983 Daenen 220/792
D279,952 S * 8/1985 Daenen et al. D7/629
4,819,824 A * 4/1989 Longbottom et al. 220/783
5,992,679 A * 11/1999 Porchia et al. 220/782
D449,495 S * 10/2001 Tucker et al. D7/629

(76) Inventor: **William S. Lerner**, 215 E. 68th St.,
Apt. 23A, New York, NY (US)
10021-5729

* cited by examiner

(**) Term: **14 Years**

Primary Examiner—Terry A. Wallace

(74) *Attorney, Agent, or Firm*—Steven Horowitz

(21) Appl. No.: **29/190,957**

(57) **CLAIM**

(22) Filed: **Sep. 29, 2003**

The ornamental design for a rectangular food storage container with removable thermal preservation insert, as shown and described.

(51) **LOC (7) Cl.** **07-01**

(52) **U.S. Cl.** **D7/629**

(58) **Field of Search** D7/602, 629, 538–542;
D3/201, 203, 205, 206, 273, 274, 302;
220/281, 675, 662, 574, 574.1, 780–799

DESCRIPTION

FIG. 1 is an exploded isometric view of the food storage container with removable thermal preservation insert of the present invention; and,

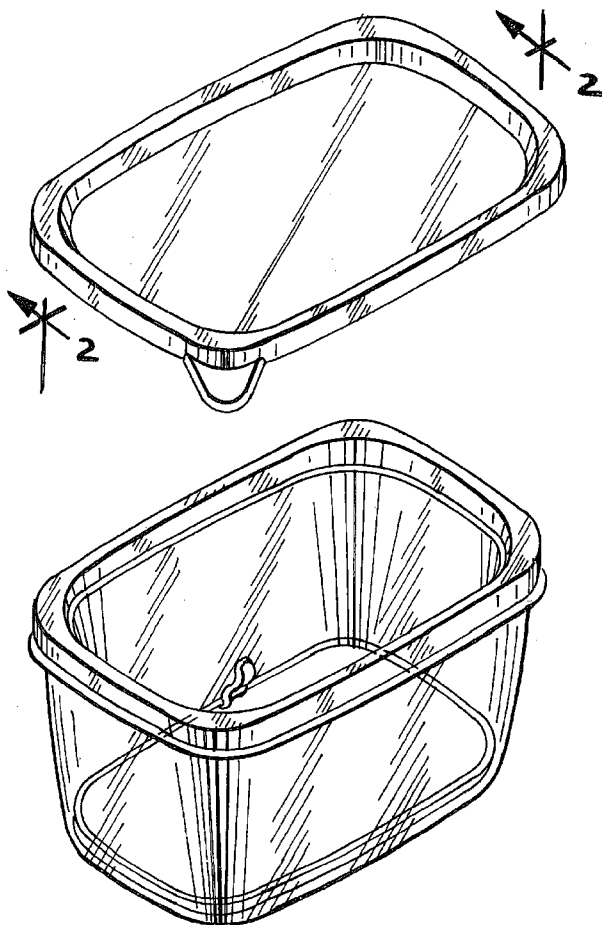
FIG. 2 is a vertical cross-section of an assembled view taken approximately along line 2—2 of FIG. 1.

(56) **References Cited**

U.S. PATENT DOCUMENTS

3,447,714 A * 6/1969 Elliot 220/781
3,504,823 A * 4/1970 Logomasini 220/781

1 Claim, 2 Drawing Sheets



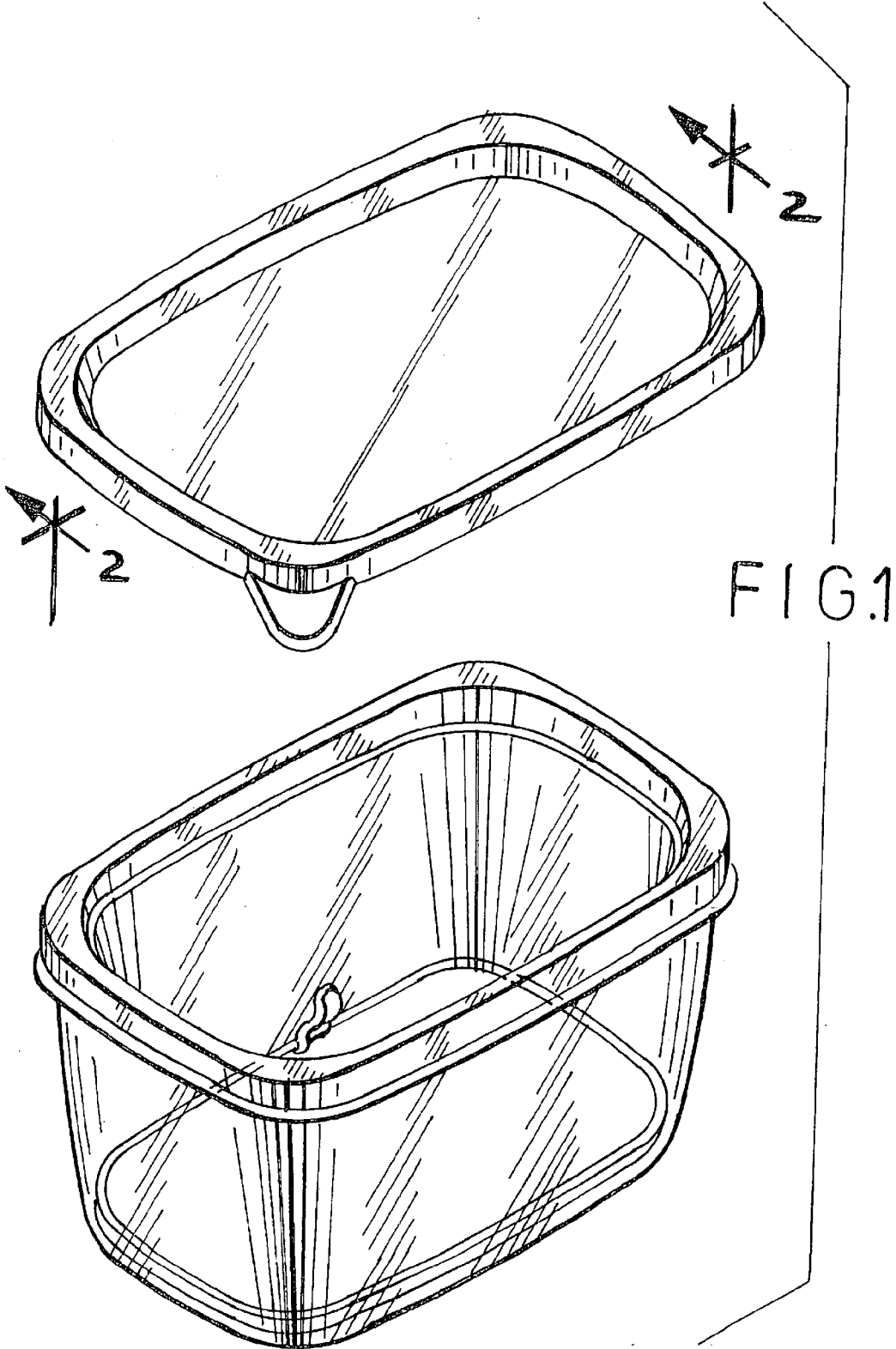


FIG. 1

FIG. 2

