



US00D743038S

(12) **United States Design Patent**  
**Kawasaki**

(10) **Patent No.:** **US D743,038 S**

(45) **Date of Patent:** **\*\* Nov. 10, 2015**

(54) **ORTHODONTIC BRACKET**

(71) Applicant: **TOMY INCORPORATED,**  
Futabu-gun, Fukushima-ken (JP)

(72) Inventor: **Tomohiko Kawasaki,** Fukushima-ken  
(JP)

(73) Assignee: **TOMY INCORPORATED,** Fukushima  
(JP)

(\*\*) Term: **14 Years**

(21) Appl. No.: **29/511,443**

(22) Filed: **Dec. 10, 2014**

(30) **Foreign Application Priority Data**

Jun. 10, 2014 (JP) ..... 2014-012491

(51) **LOC (10) Cl.** ..... **24-99**

(52) **U.S. Cl.**  
USPC ..... **D24/180**

(58) **Field of Classification Search**  
USPC ..... D24/176, 180; 433/2-3, 8-17  
CPC ..... A61C 7/12; A61C 7/14; A61C 7/287;  
A61C 7/28; A61C 7/16; A61C 7/20; A61C  
7/145; A61C 7/282; A61C 7/141  
See application file for complete search history.

(56) **References Cited**

**U.S. PATENT DOCUMENTS**

6,776,613 B2 \* 8/2004 Orikasa ..... 433/11  
7,335,020 B2 \* 2/2008 Castner et al. .... 433/11  
7,442,039 B2 \* 10/2008 Opín et al. .... 433/11

7,621,743 B2 \* 11/2009 Bathen et al. .... 433/10  
7,993,132 B2 \* 8/2011 Opín et al. .... 433/3  
8,029,276 B1 \* 10/2011 Lokar ..... 433/10  
D648,030 S \* 11/2011 Bryant et al. .... D24/180  
8,568,138 B2 \* 10/2013 Farzin-Nia et al. .... 433/10  
2014/0080085 A1 \* 3/2014 Morelli ..... 433/11  
2014/0199648 A1 \* 7/2014 Lopes ..... 433/11  
2014/0205960 A1 \* 7/2014 Farzin-Nia et al. .... 433/10  
2014/0212828 A1 \* 7/2014 Falcone et al. .... 433/11  
2014/0308622 A1 \* 10/2014 Voudouris ..... 433/10  
2015/0202026 A1 \* 7/2015 Voudouris ..... 433/9

\* cited by examiner

*Primary Examiner* — Wan Laymon

(74) *Attorney, Agent, or Firm* — Brinks Gilson & Lione

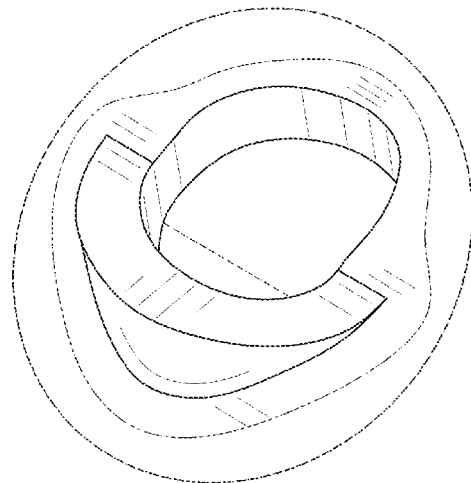
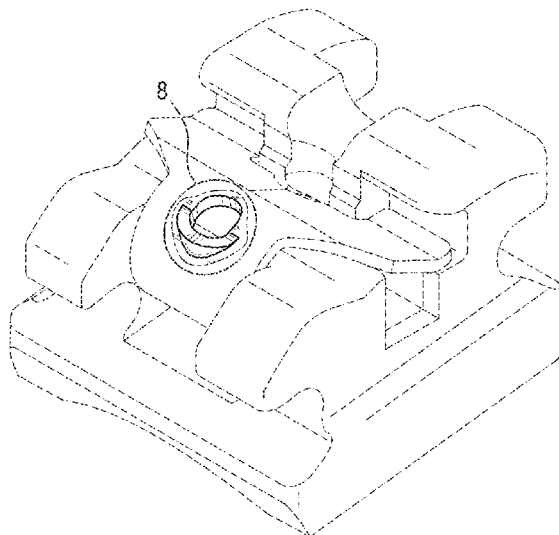
(57) **CLAIM**

I claim the ornamental design for an orthodontic bracket, as shown and described.

**DESCRIPTION**

FIG. 1 is a front view of an orthodontic bracket of the present invention;  
FIG. 2 is a rear view thereof;  
FIG. 3 is a top view thereof;  
FIG. 4 is a bottom view thereof;  
FIG. 5 is a first side view thereof;  
FIG. 6 is a second side view thereof;  
FIG. 7 is a top perspective view thereof; and,  
FIG. 8 is an enlarged top perspective view of the claimed area taken from FIG. 7.  
The broken lines shown represent unclaimed subject matter and form no part of the claimed design. Additionally, the unevenly broken lines in the drawings define the limits of the claimed design.

**1 Claim, 5 Drawing Sheets**



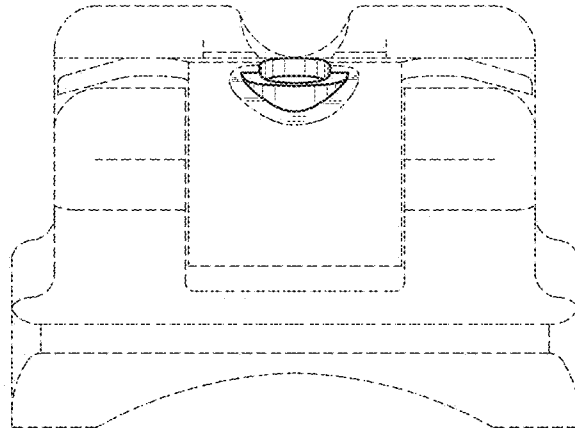


FIG. 1

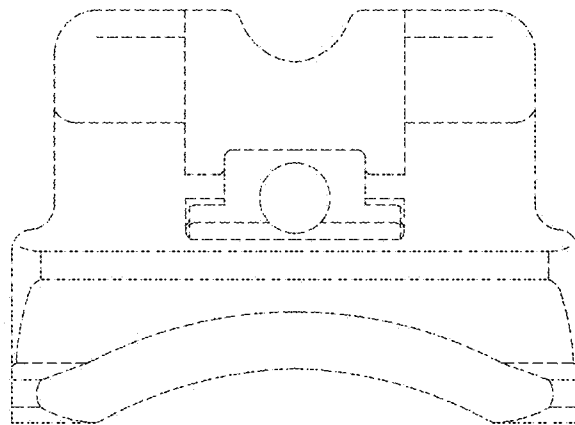


FIG. 2

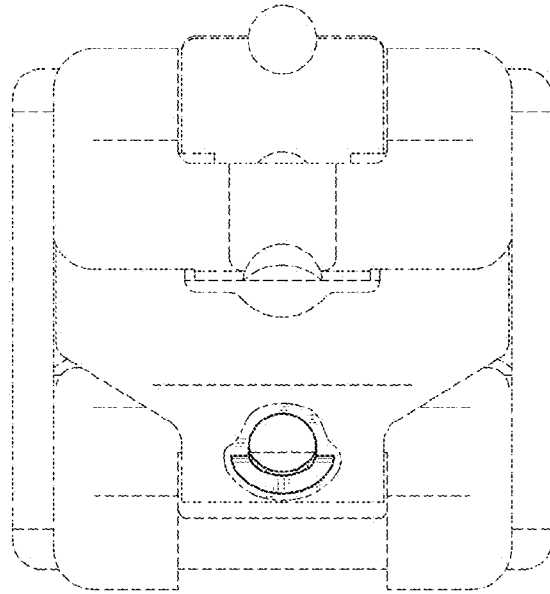


FIG. 3

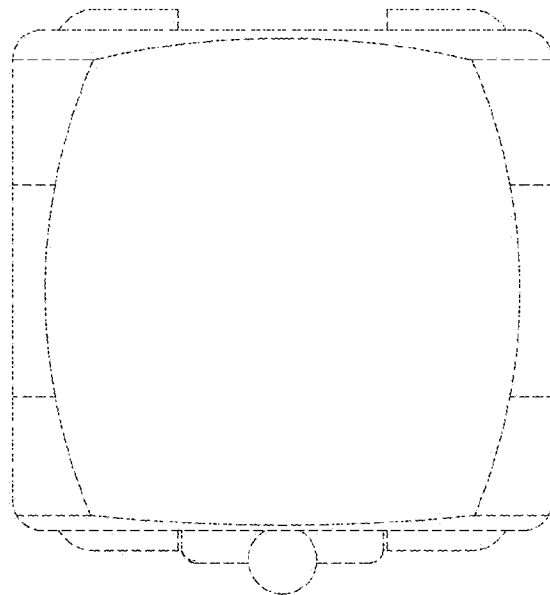


FIG. 4

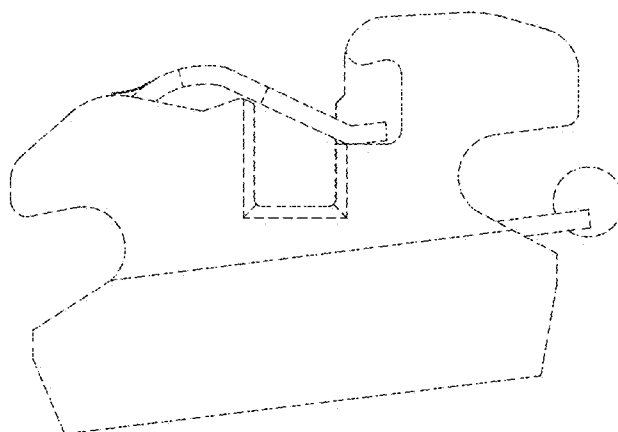


FIG. 5

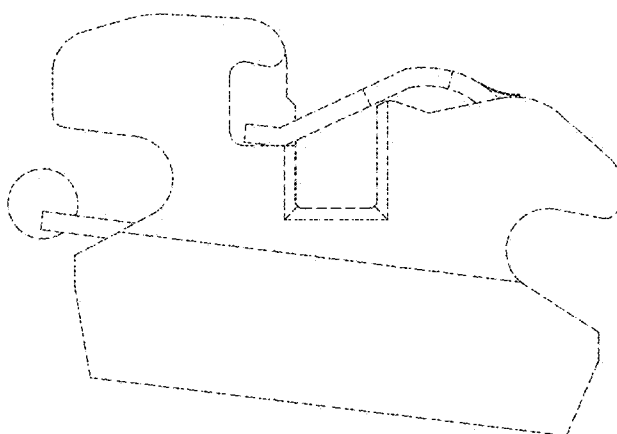


FIG. 6

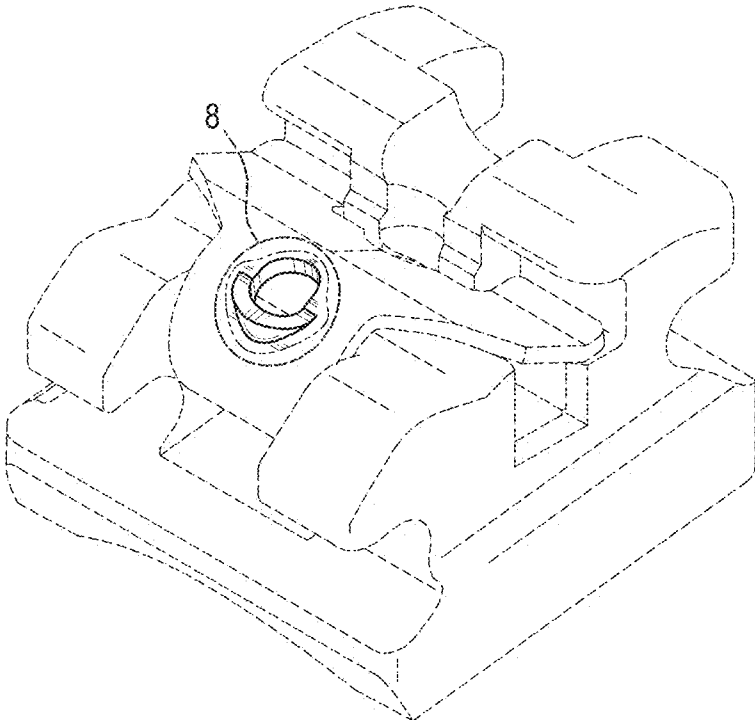


FIG. 7

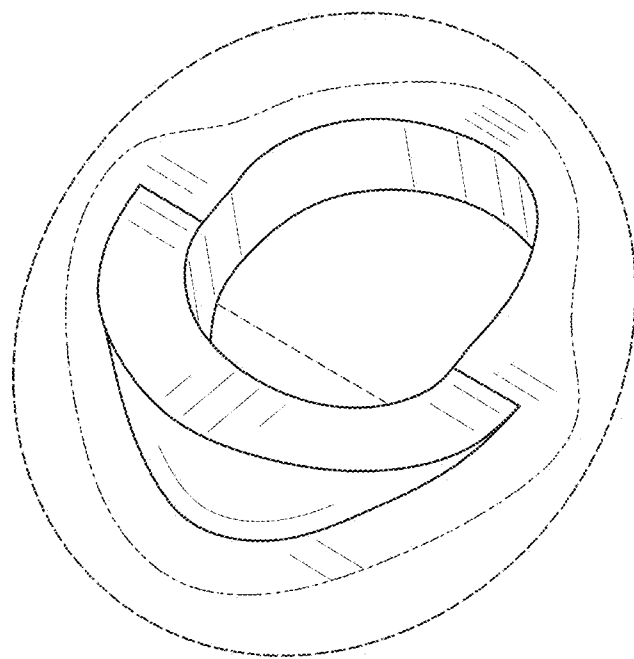


FIG. 8