



US00D415192S

United States Patent [19]

[11] Patent Number: **Des. 415,192**

Laidlaw

[45] Date of Patent: **** Oct. 12, 1999**

[54] **FEEDER WITH TRAY FOR A DOCUMENT PRINTER**

D. 354,076	1/1995	Fukuda et al.	D18/36
D. 362,457	9/1995	Shimizu	D18/39
D. 373,377	9/1996	Feteroff	D18/55
D. 379,196	5/1997	Laidlaw	D18/55
D. 402,698	12/1998	Falk et al.	D18/55
5,676,370	10/1997	Taniguchi et al.	271/145
5,746,528	5/1998	Mayer et al.	271/3.14
5,758,249	5/1998	Dutton et al.	399/391

[75] Inventor: **Anthony G. Laidlaw**, Boise, Id.

[73] Assignee: **Hewlett-Packard Company**, Palo Alto, Calif.

[**] Term: **14 Years**

[21] Appl. No.: **29/089,626**

[22] Filed: **Jun. 18, 1998**

Primary Examiner—Louis S. Zarfes
Assistant Examiner—Greg Andoll

[57] CLAIM

The ornamental design for a feeder with tray for a document printer, as shown and described.

Related U.S. Application Data

[62] Division of application No. 29/078,269, Oct. 21, 1997, Pat. No. Des. 402,688.

[51] **LOC (6) Cl.** **18-99**

[52] **U.S. Cl.** **D18/49; D18/46**

[58] **Field of Search** D18/53-56, 36-40, D18/44, 12, 49; D6/432, 440, 445, 446; D14/100, 102; 400/690-694, 690.1-690.4, 613, 613.1-613.4; 399/107, 391-399, 361, 367, 381; 271/8.1, 145, 3.01, 3.14; 388/498

DESCRIPTION

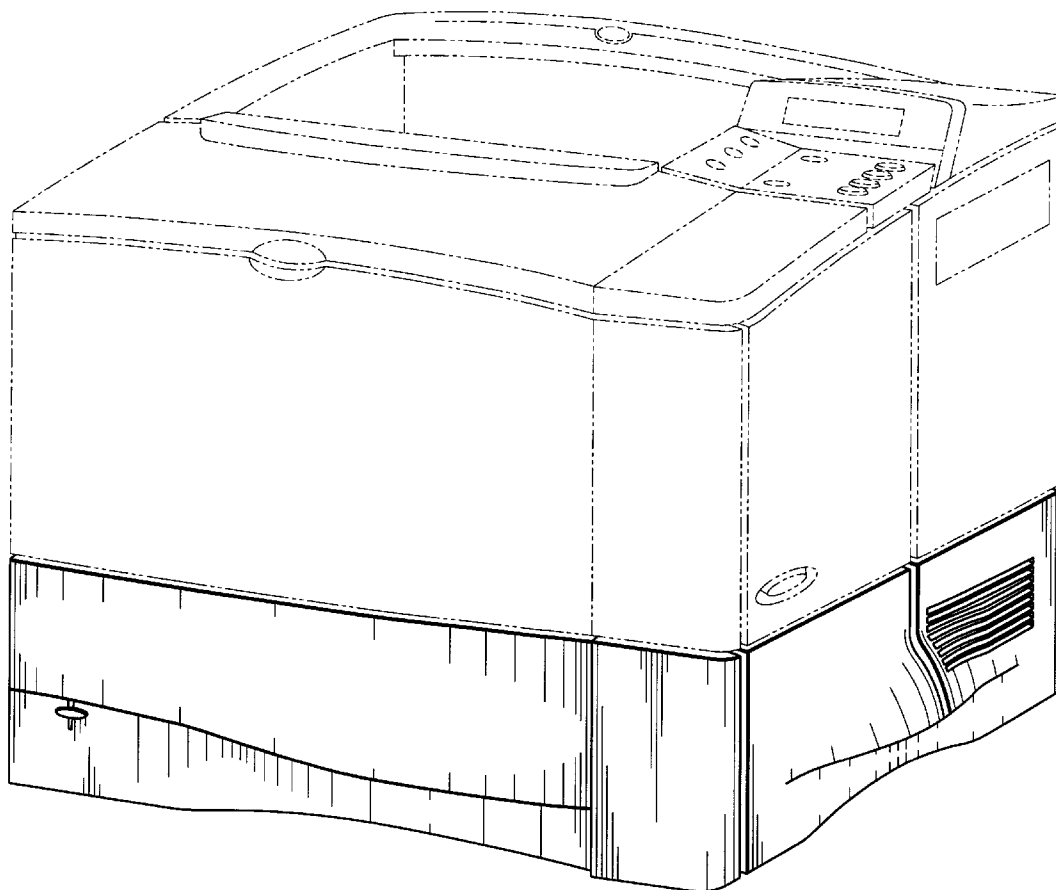
FIG. 1 is a front perspective view of a feeder with tray for a document printer showing my new design; FIG. 2 is a front elevational view of the feeder with tray of FIG. 1; FIG. 3 is a left side elevational view of the feeder with tray of FIG. 1; and, FIG. 4 is a right side elevational view of the feeder with tray of FIG. 1.
The rear of the feeder with tray for a document printer, not shown, forms no part of the claimed design.

[56] References Cited

U.S. PATENT DOCUMENTS

D. 345,758 4/1994 Fukuda D18/49

1 Claim, 4 Drawing Sheets



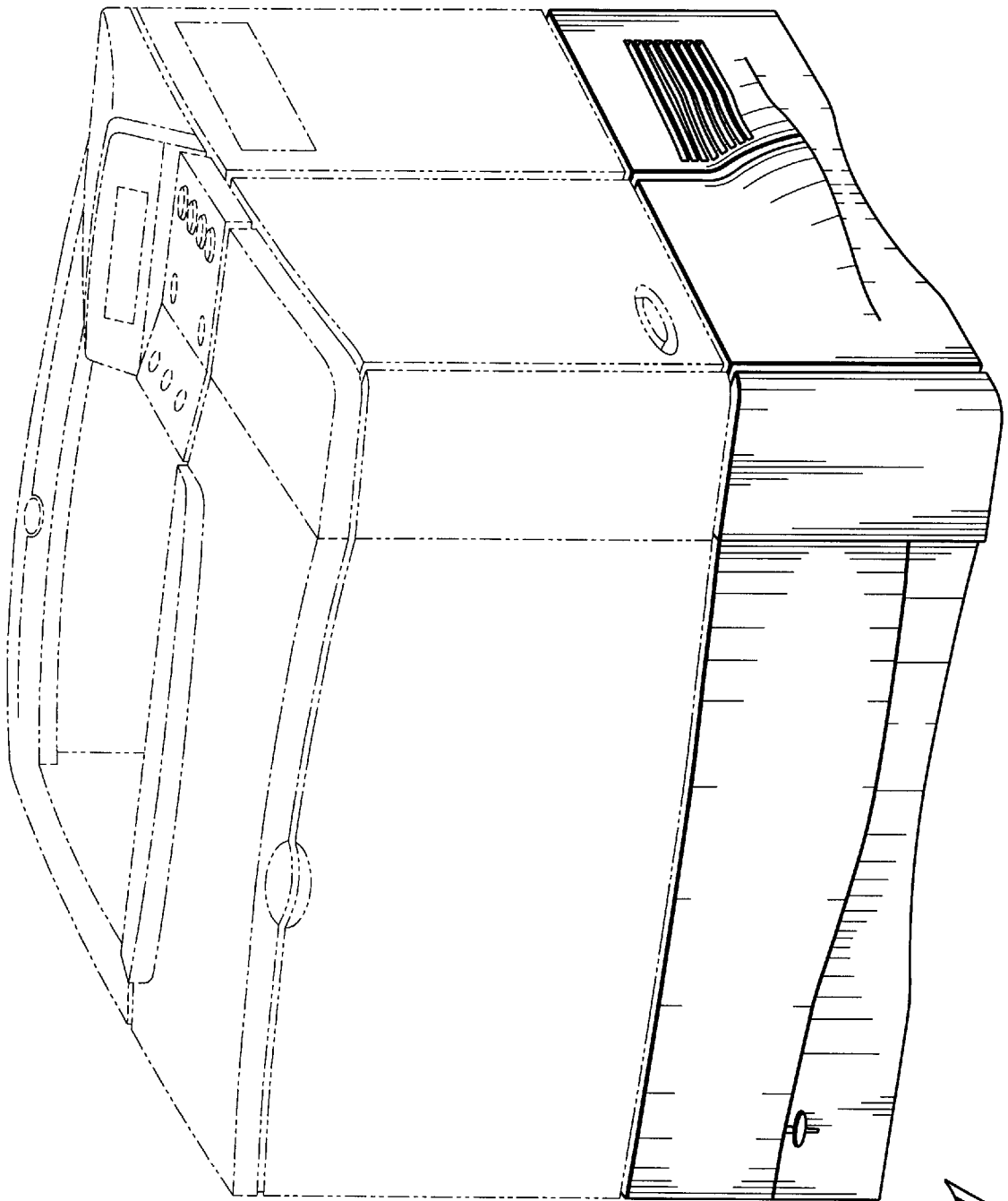


Fig. 1

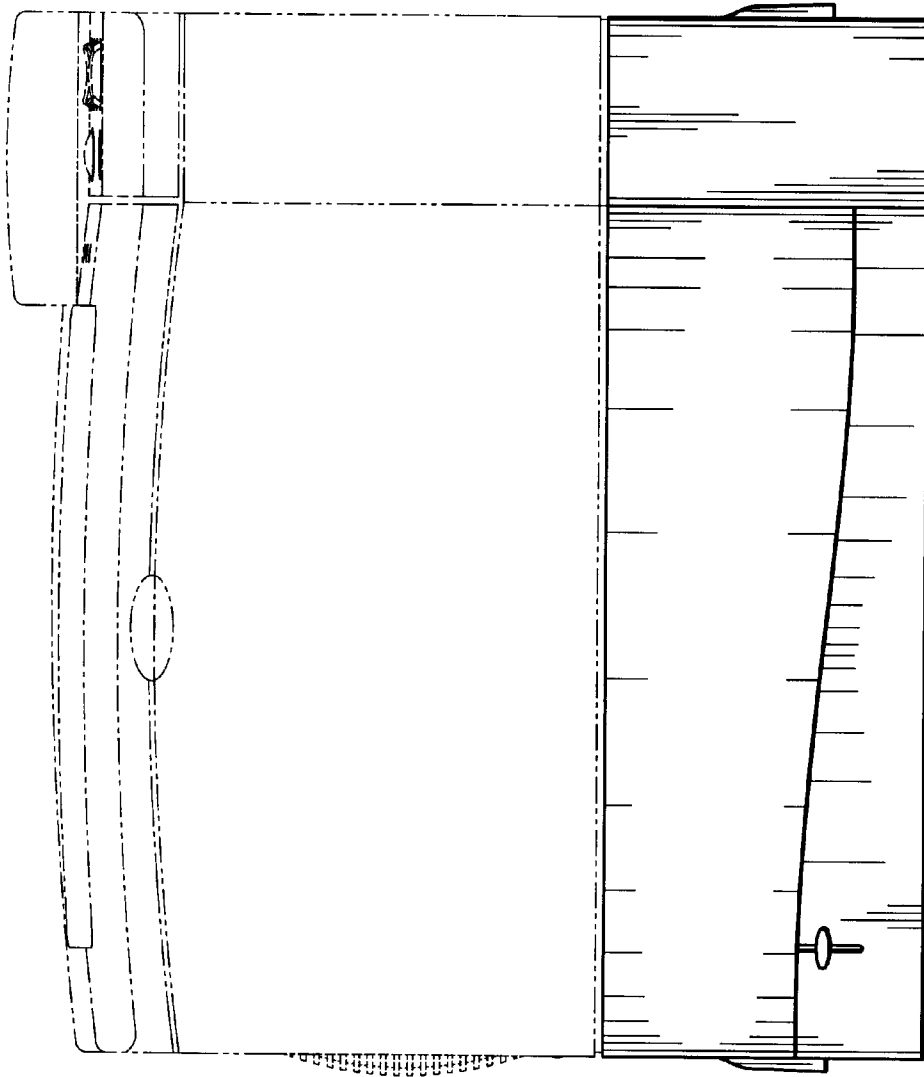


Fig 2

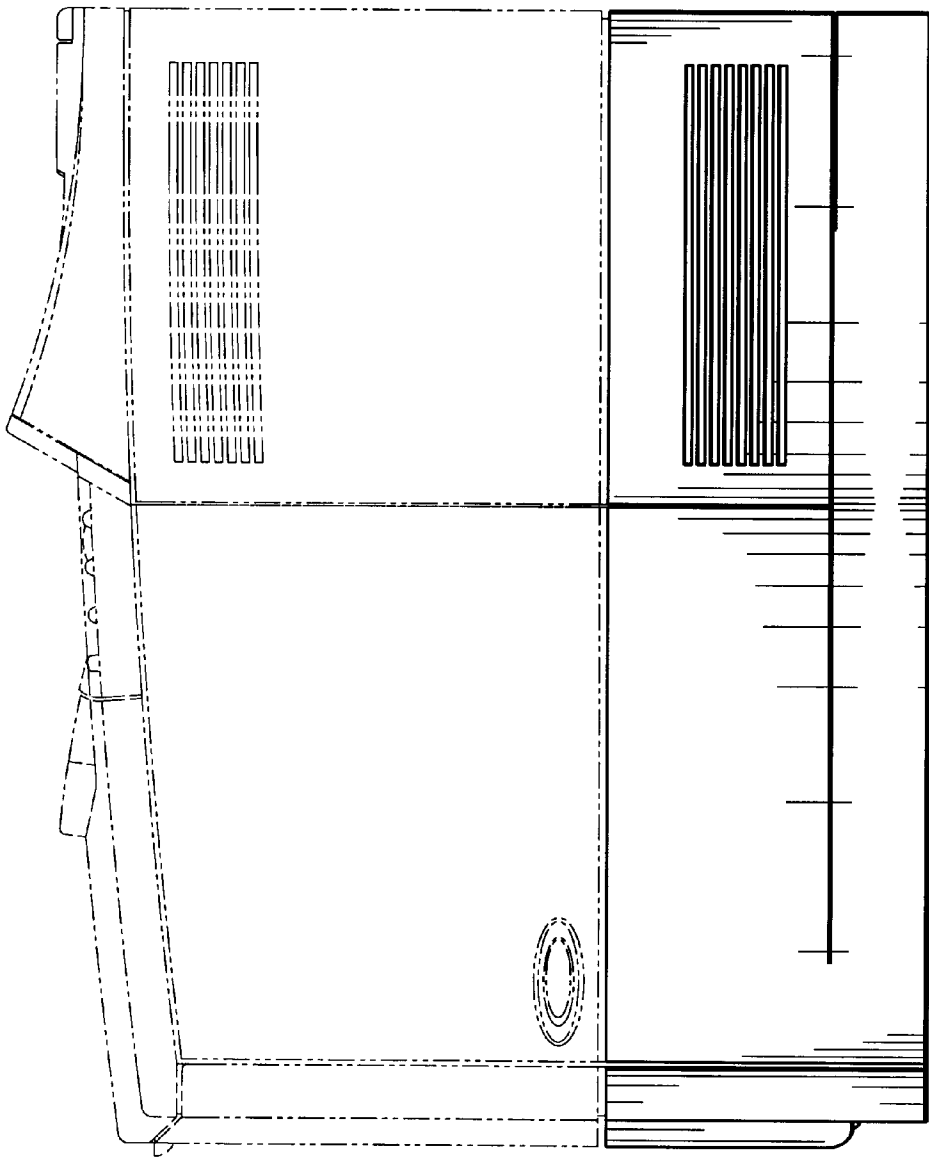


Fig. 3

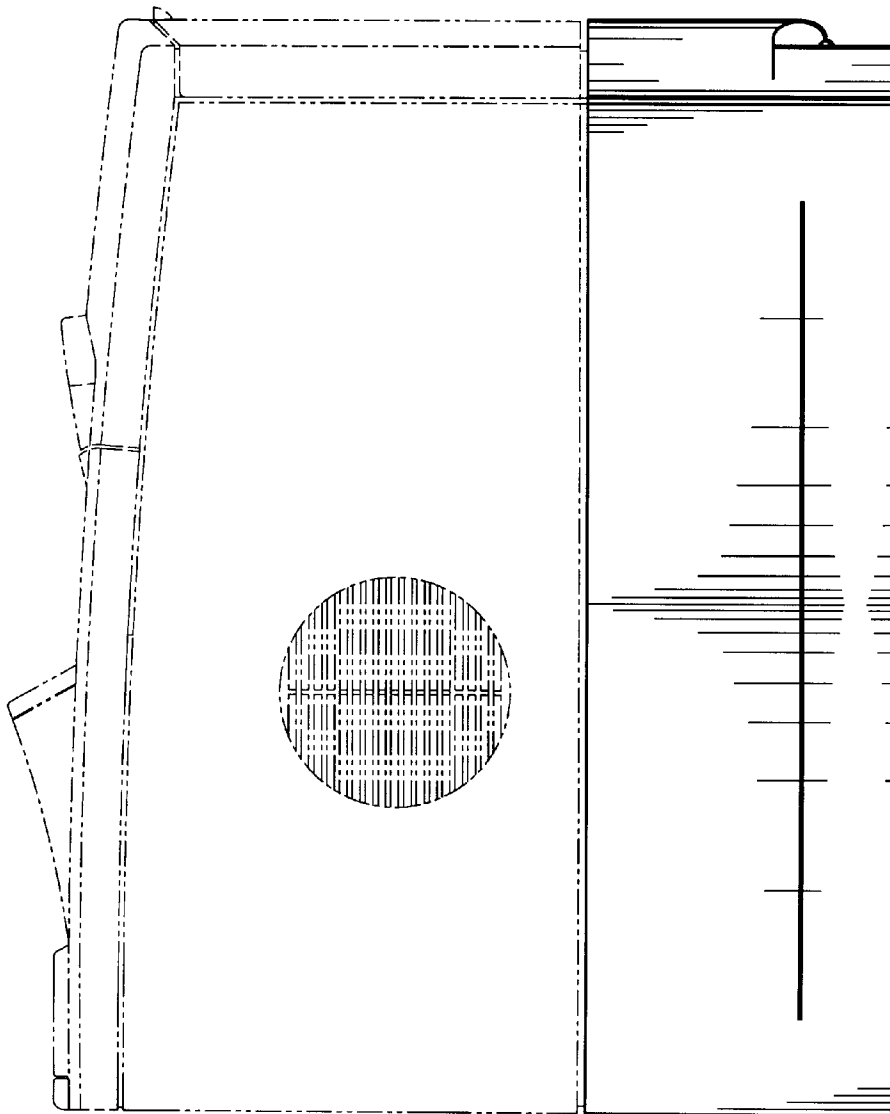


Fig 4