



US00D830307S

(12) **United States Design Patent**  
**Liu**

(10) **Patent No.:** **US D830,307 S**

(45) **Date of Patent:** **\*\* Oct. 9, 2018**

(54) **POWER PLUG ADAPTER**

(71) Applicant: **Song Liu**, Ganzhou (CN)

(72) Inventor: **Song Liu**, Ganzhou (CN)

(\*\*) Term: **15 Years**

(21) Appl. No.: **29/604,486**

(22) Filed: **May 17, 2017**

(51) **LOC (11) Cl.** ..... **13-03**

(52) **U.S. Cl.**  
USPC ..... **D13/137.2**

(58) **Field of Classification Search**  
USPC ..... D13/108, 110, 123, 133, 137.1-137.4,  
D13/138.1-138.2, 139.1-139.8, 152-154,  
D13/146, 147, 156, 158; D14/433;  
D8/350-353  
CPC ..... H01R 11/00; H01R 9/00; H01R 25/00;  
H01R 25/006; H01R 13/11; H01R 24/76  
See application file for complete search history.

(56) **References Cited**

**U.S. PATENT DOCUMENTS**

D623,595 S *	9/2010	Ruffner	.....	D13/110
D657,314 S *	4/2012	Ruffner	.....	D13/139.1
D664,094 S *	7/2012	Ruffner	.....	D13/138.2
D702,639 S *	4/2014	Ruffner	.....	D13/110

D720,695 S *	1/2015	Shen	.....	D13/110
D741,265 S *	10/2015	Lee	.....	D13/137.2
2015/0099380 A1 *	4/2015	Ruffner	.....	H01R 13/4534 439/137

\* cited by examiner

*Primary Examiner* — Rosemary K Tarcza  
*Assistant Examiner* — Christy M Nemeth  
(74) *Attorney, Agent, or Firm* — Novocclaims Patent  
Services LLC; Mei Lin Wong

(57) **CLAIM**

The ornamental design for a power plug adapter, as shown and described.

**DESCRIPTION**

FIG. 1 is a front, top, right-side perspective view of a power plug adapter showing my new design.  
FIG. 2 is a rear, bottom, left-side perspective view thereof.  
FIG. 3 is a front view thereof.  
FIG. 4 is a rear view thereof.  
FIG. 5 is a left end view thereof.  
FIG. 6 is a right end view thereof.  
FIG. 7 is a top view thereof; and,  
FIG. 8 is a bottom view thereof.  
The broken lines in the drawings are for the purpose of illustrating portions of the power plug adapter that form no part of the claimed design.

**1 Claim, 8 Drawing Sheets**

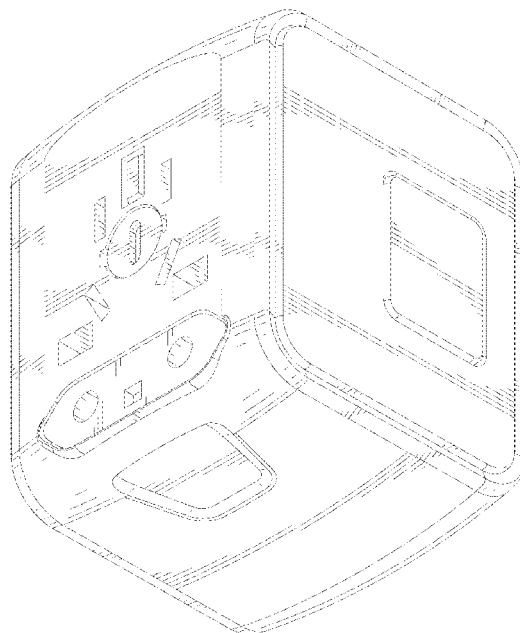
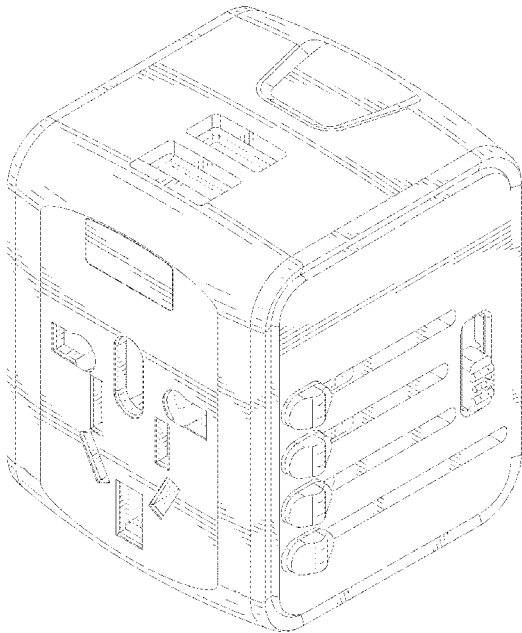




FIG.1

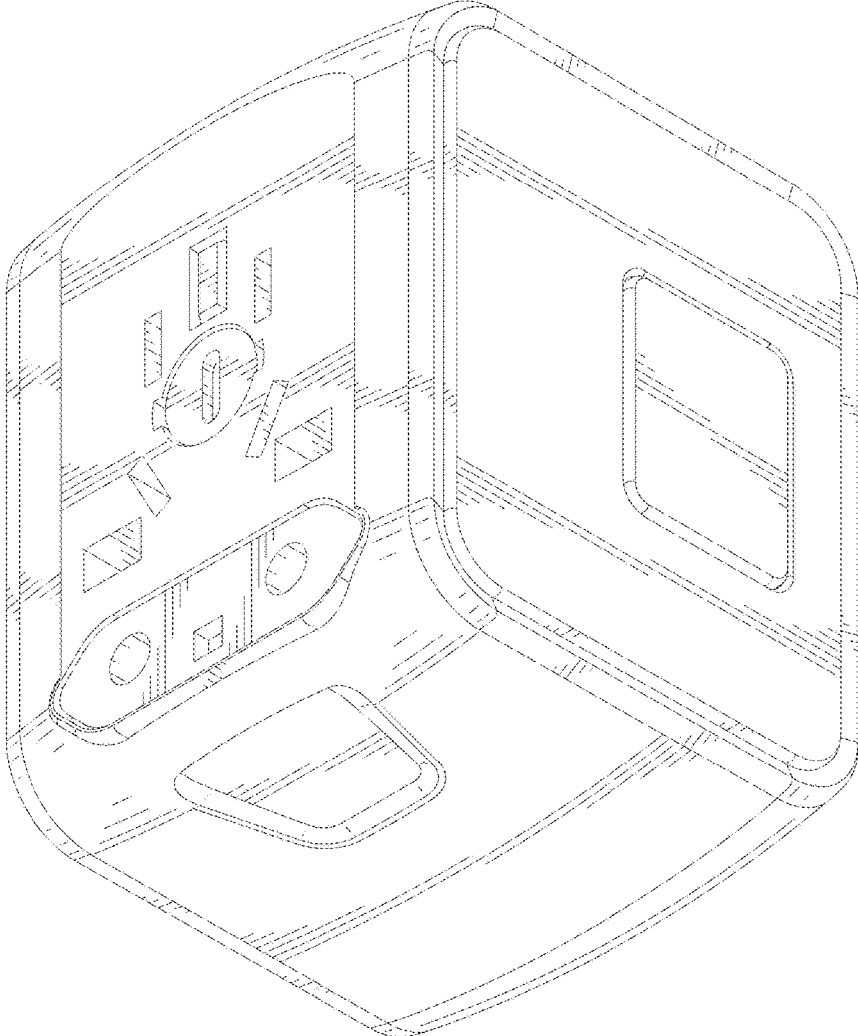


FIG.2

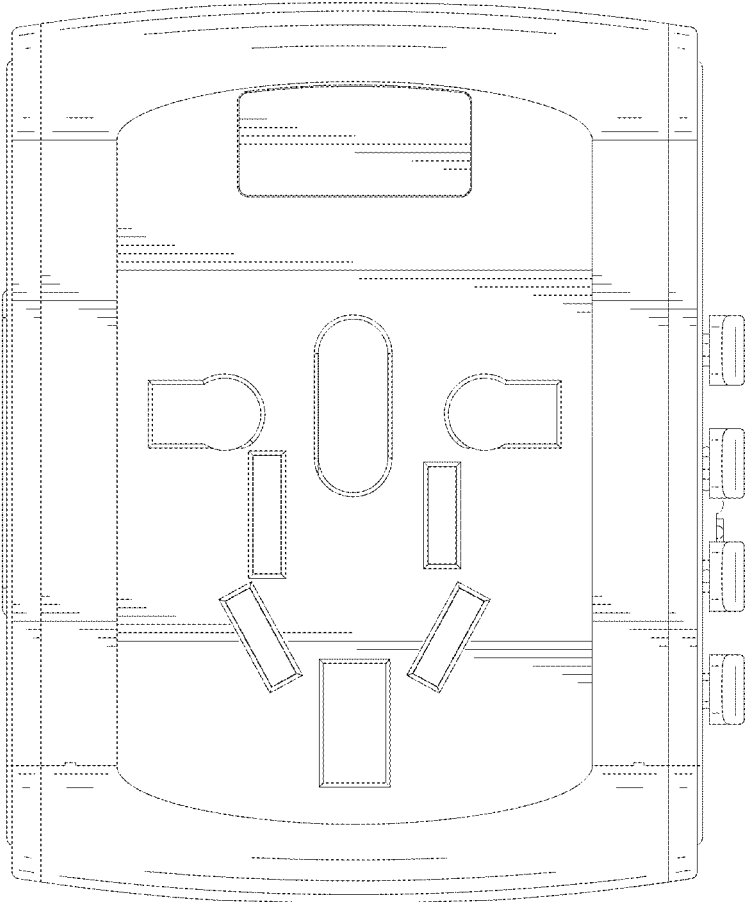


FIG.3

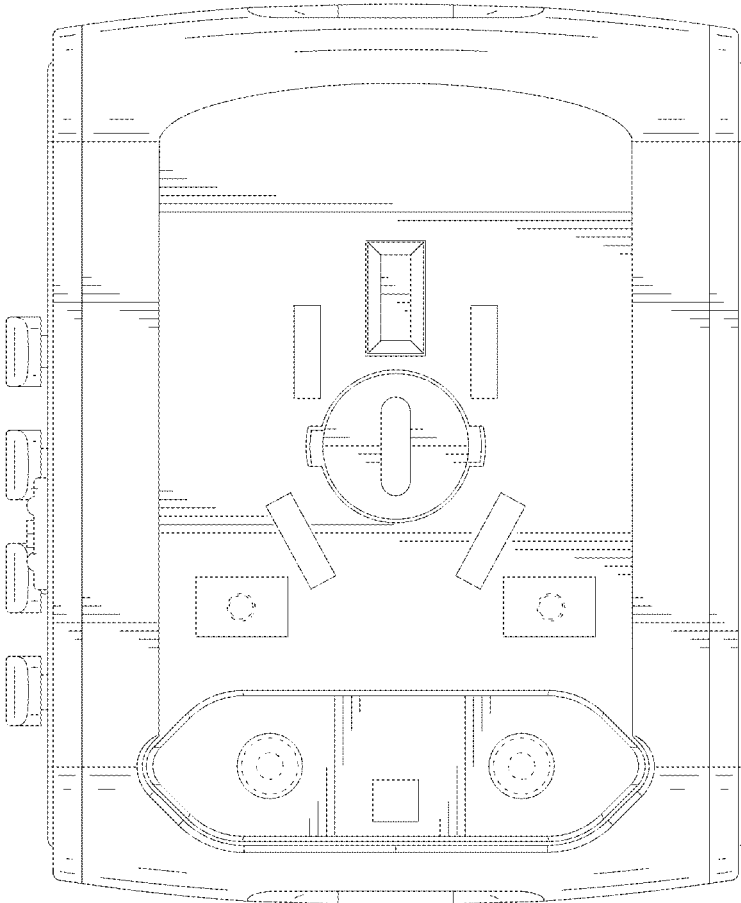


FIG.4

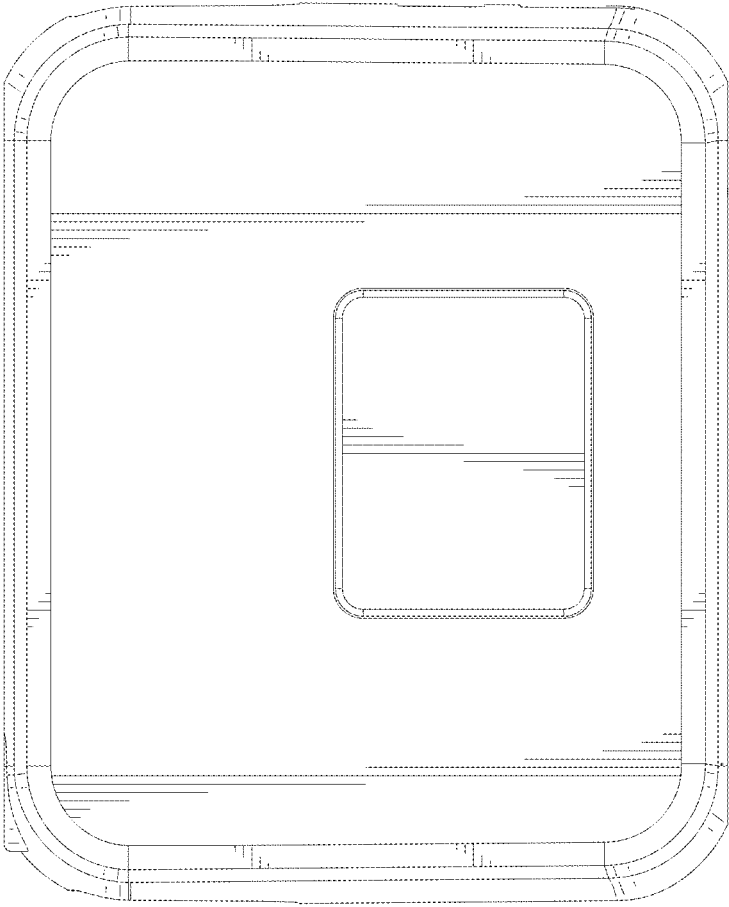


FIG.5

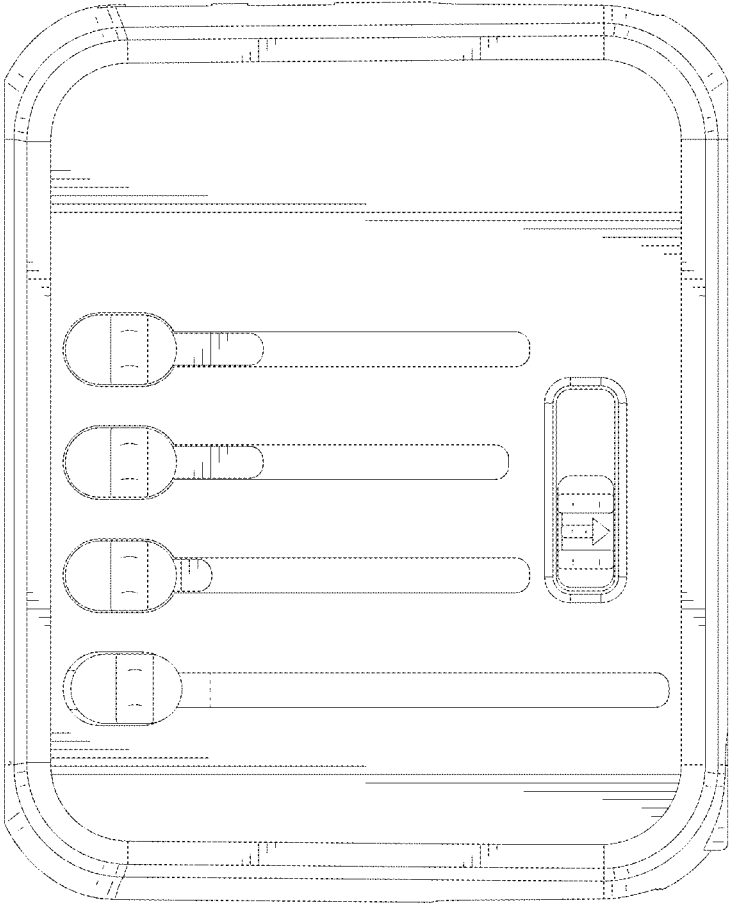


FIG.6

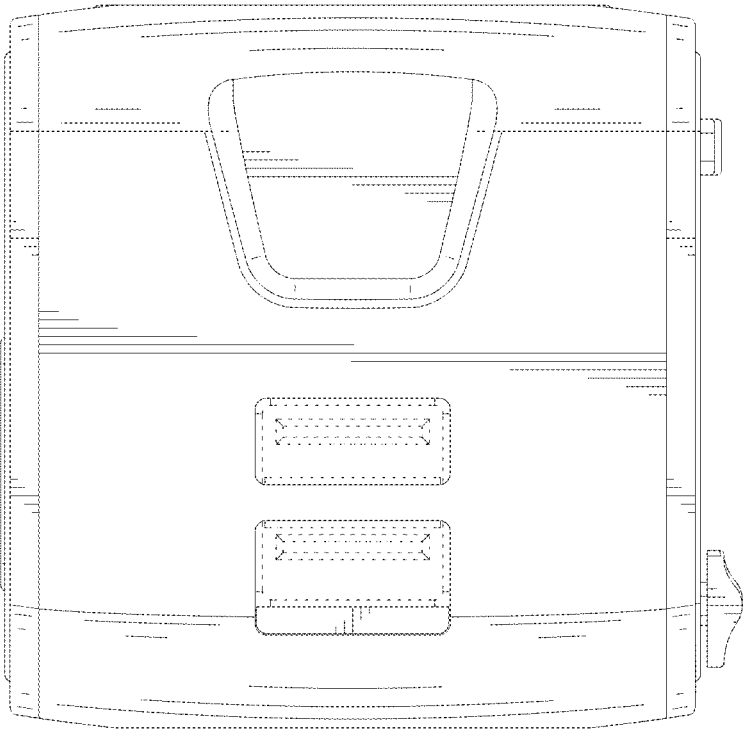


FIG.7

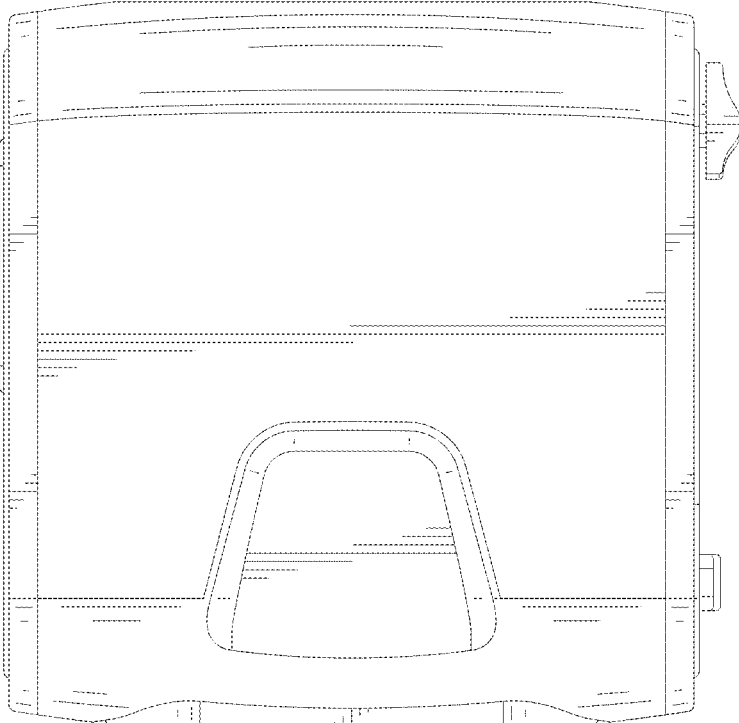


FIG.8