



US00D679072S

(12) **United States Design Patent**  
**Abbevik et al.**

(10) **Patent No.:** **US D679,072 S**

(45) **Date of Patent:** **\*\* Apr. 2, 2013**

(54) **PROTECTIVE JACKET**  
(75) Inventors: **Elin Abbevik**, Solna (SE); **Rajinder Mehra**, Johanneshov (SE)

(73) Assignee: **Husqvarna AB**, Huskvarna (SE)

(\*\*) Term: **14 Years**

(21) Appl. No.: **29/425,250**

(22) Filed: **Jun. 21, 2012**

(30) **Foreign Application Priority Data**

Dec. 21, 2011 (EM) ..... 001965906

(51) **LOC (9) Cl.** ..... **02-02**

(52) **U.S. Cl.** ..... **D2/828; D2/829; D2/830**

(58) **Field of Classification Search** ..... D2/828,  
D2/834, 830, 836, 863, 831; D29/100, 124,  
D29/101.1; 2/455, 85, 86, 93, 51, 69, 77,  
2/247, 254, 461, 108

See application file for complete search history.

(56) **References Cited**

**U.S. PATENT DOCUMENTS**

4,195,362 A \* 4/1980 Rolando ..... 2/461  
6,119,270 A \* 9/2000 Chou ..... 2/108  
D498,037 S \* 11/2004 Bay ..... D2/830

7,111,328 B2 \* 9/2006 Bay ..... 2/86  
D529,687 S \* 10/2006 Rindle ..... D2/828  
7,784,109 B2 \* 8/2010 Seguin et al. .... 2/93  
D637,794 S \* 5/2011 Gosse ..... D2/831  
2008/0184454 A1 \* 8/2008 Collier ..... 2/93

\* cited by examiner

*Primary Examiner* — Ian Simmons

*Assistant Examiner* — Eleni H Aldridge

(74) *Attorney, Agent, or Firm* — Nelson Mullins Riley & Scarborough LLP

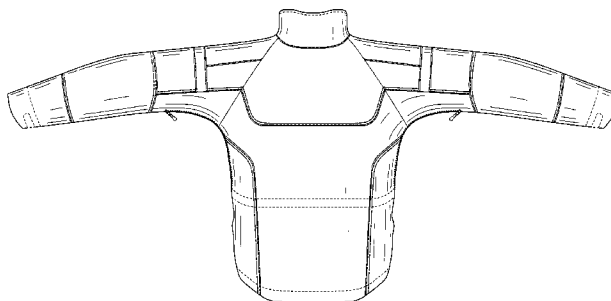
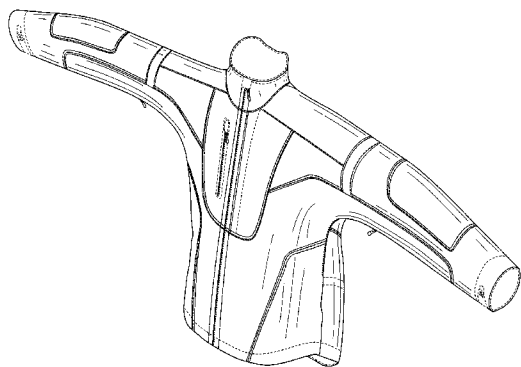
(57) **CLAIM**

The ornamental design for a protective jacket, as shown and described.

**DESCRIPTION**

FIG. 1 is a perspective view of a protective jacket in accordance with an embodiment of the present invention; FIG. 2 is a front view of the protective jacket of FIG. 1; FIG. 3 is a rear view of the protective jacket of FIG. 1; FIG. 4 is a left side view of the protective jacket of FIG. 1; FIG. 5 is a right side view of the protective jacket of FIG. 1; FIG. 6 is a top view of the protective jacket of FIG. 1; and, FIG. 7 is a bottom view of the protective jacket of FIG. 1. The broken line showing on the protective jacket is included for the purpose of illustrating portions of the article that forms no part of the claimed design.

**1 Claim, 7 Drawing Sheets**



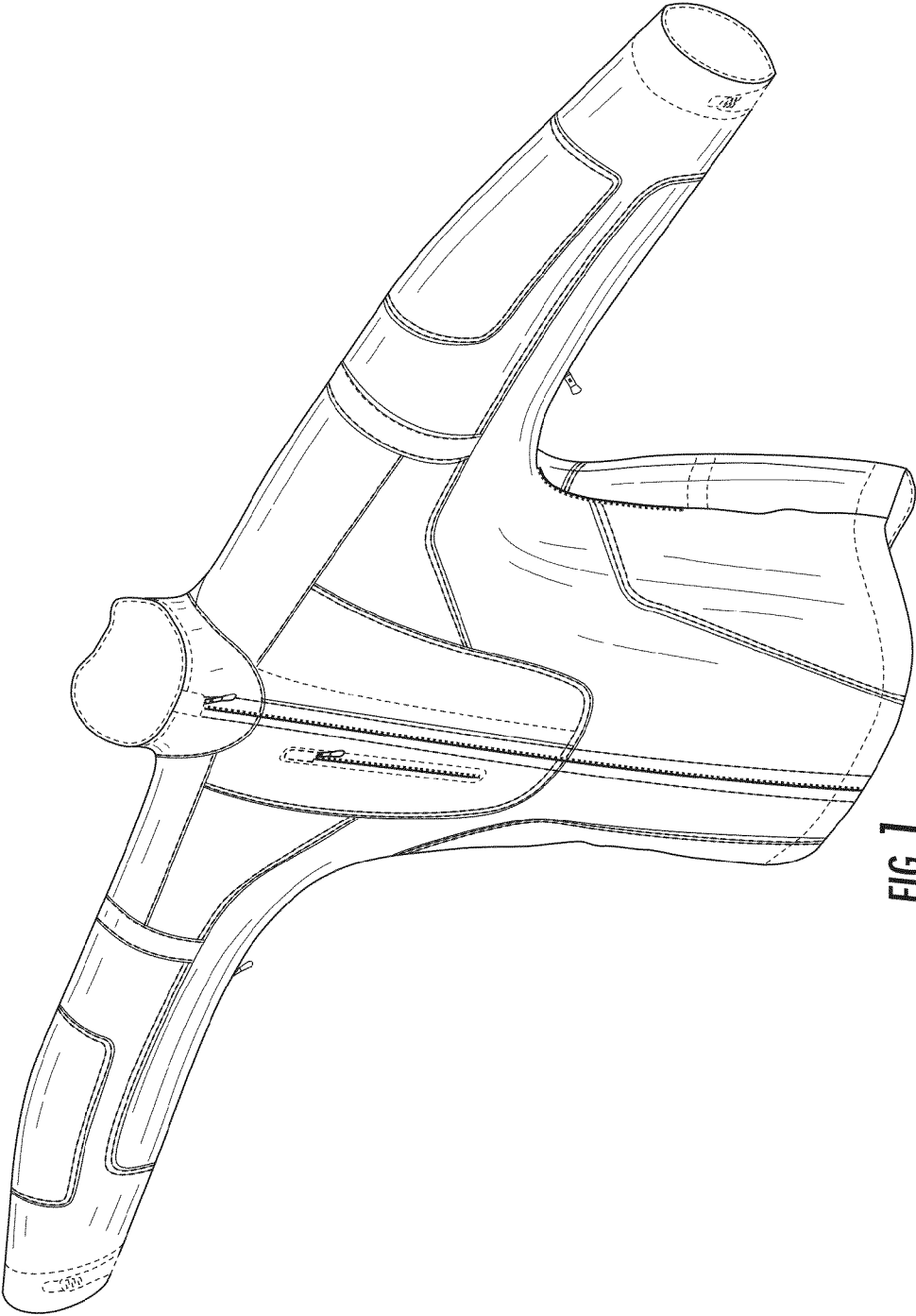


FIG. 1

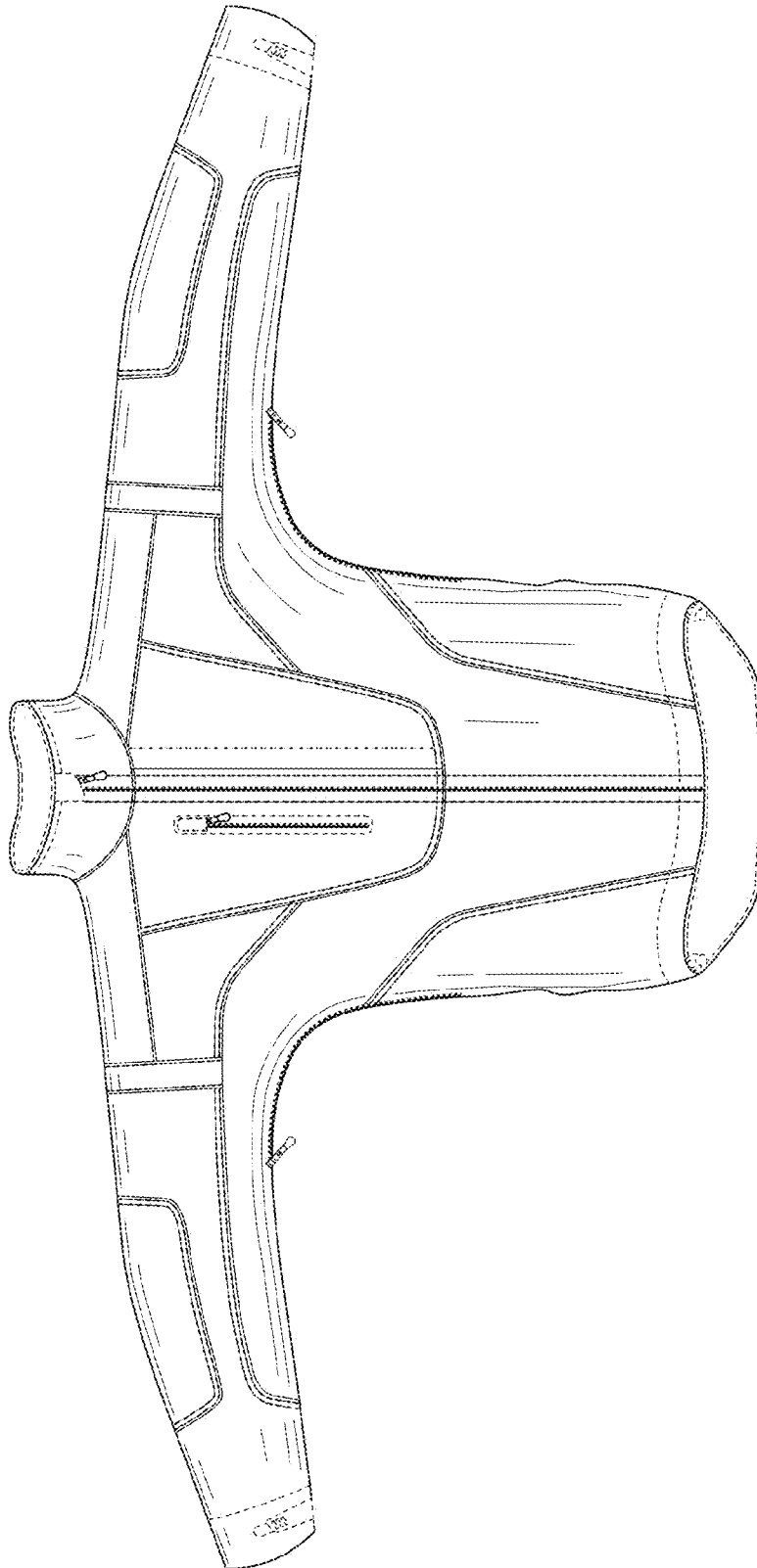


FIG. 2

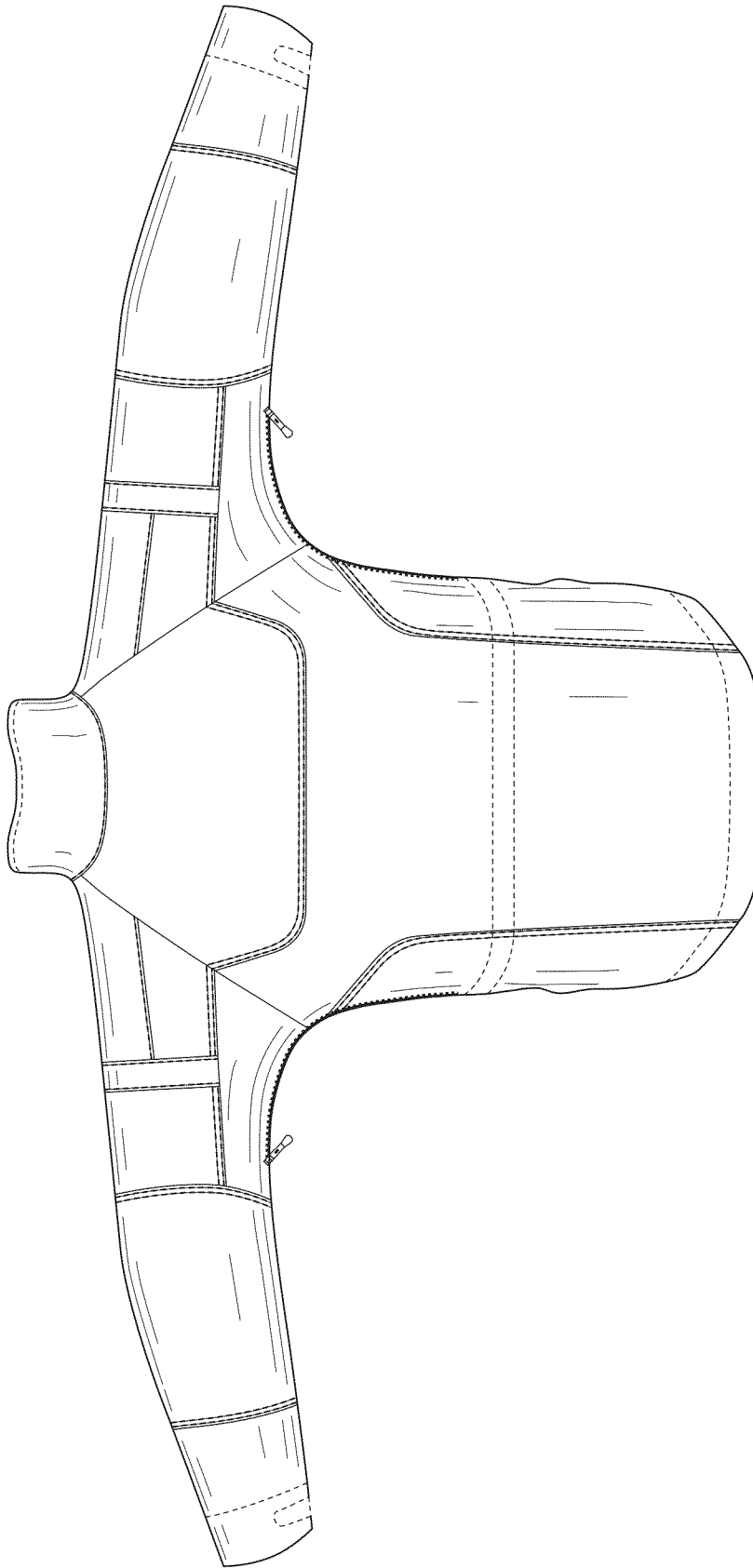
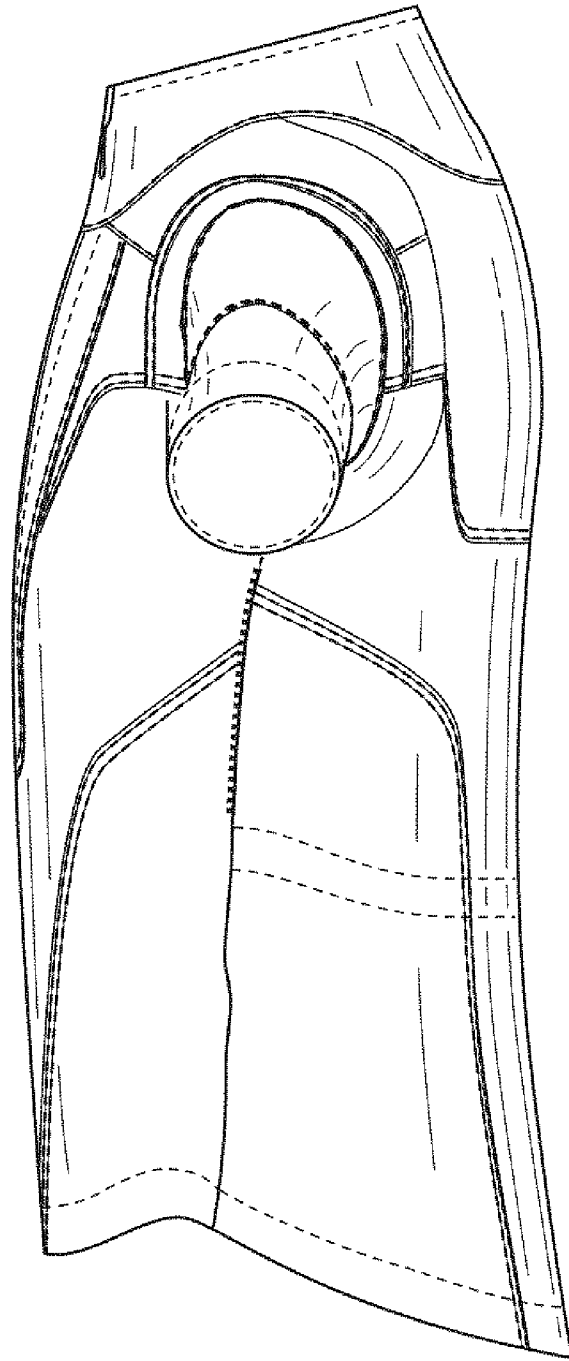
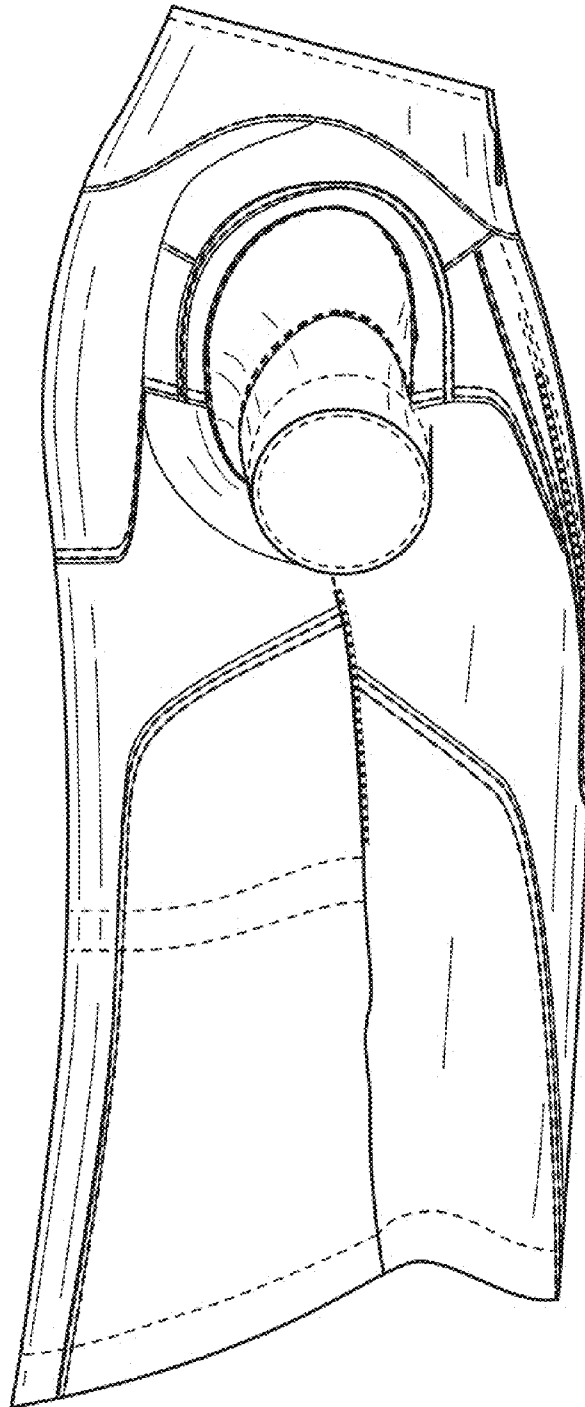


FIG. 3



**FIG. 4**



**FIG. 5**

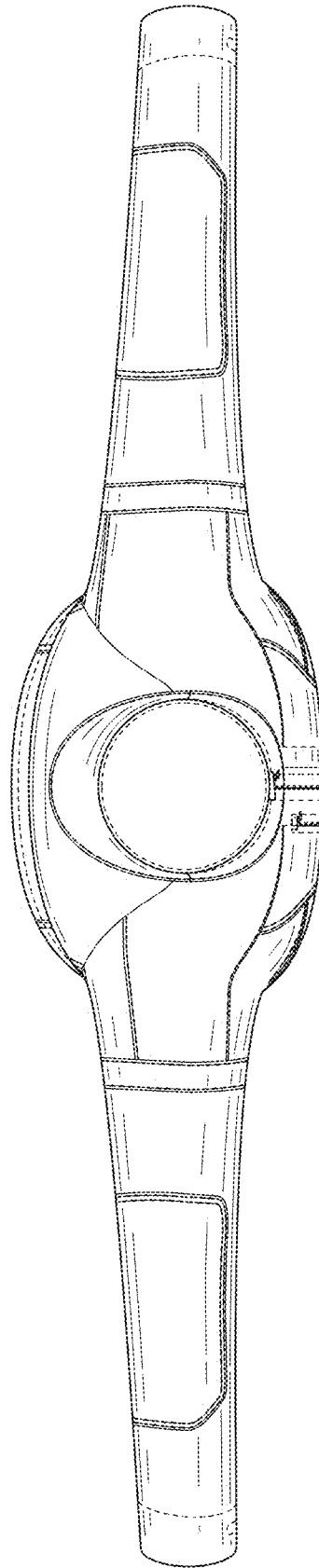


FIG. 6

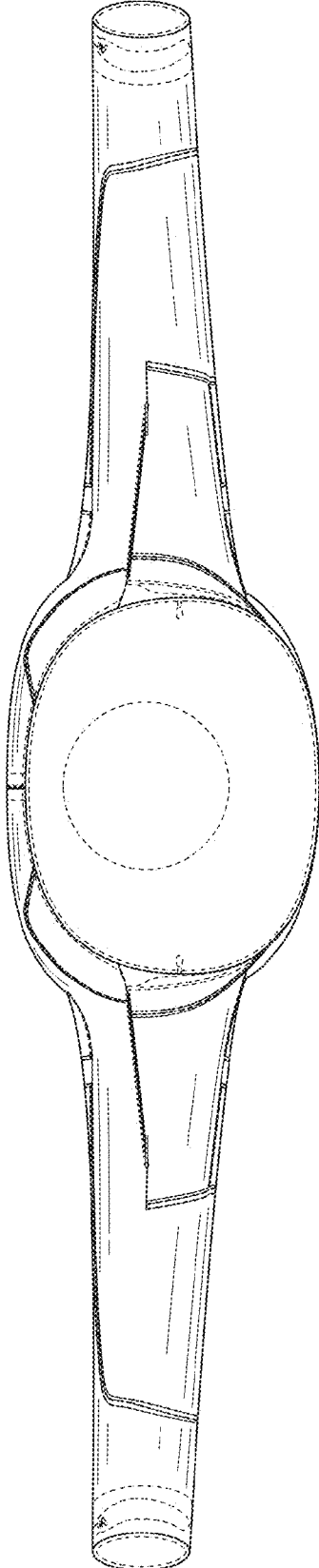


FIG. 7