

(19) World Intellectual Property Organization
International Bureau



(43) International Publication Date
13 July 2006 (13.07.2006)

PCT

(10) International Publication Number
WO 2006/073204 A3

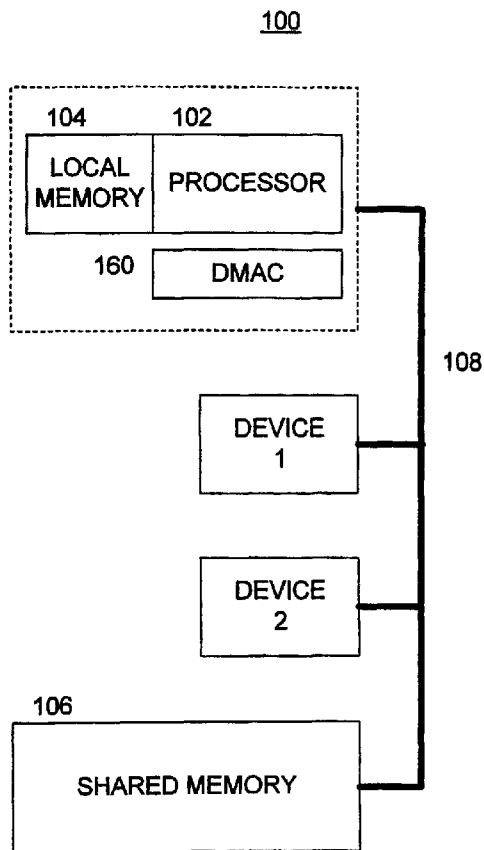
- (51) International Patent Classification:
G06F 13/28 (2006.01) *G06F 15/16* (2006.01)
- (21) International Application Number:
PCT/JP2006/300237
- (22) International Filing Date: 5 January 2006 (05.01.2006)
- (25) Filing Language: English
- (26) Publication Language: English
- (30) Priority Data:
11/029,891 5 January 2005 (05.01.2005) US
- (71) Applicants (*for all designated States except US*): **SONY COMPUTER ENTERTAINMENT INC.** [JP/JP]; 2-6-21, Minami-Aoyama, Minato-ku, Tokyo, 1070062 (JP). **INTERNATIONAL BUSINESS MACHINES CORPORATION** [US/US]; New Orchard Road, Armonk, New York, 10504 (US).
- (72) Inventors: **YAMAZAKI, Takeshi**; c/o SONY COMPUTER ENTERTAINMENT INC., 2-6-21, Minami-Aoyama, Minato-ku, Tokyo, 1070062 (JP). **HORIKAWA, Tsutomu**; c/o SONY COMPUTER

ENTERTAINMENT INC., 2-6-21, Minami-Aoyama, Minato-ku, Tokyo, 1070062 (JP). **ALLAN KAHLE, James**; c/o International Business Machines Corporation, 11400 Burnet Rd., Austin, Texas, 78758 (US). **RAY JOHNS, Charles**; c/o International Business Machines Corporation, 11400 Burnet Rd., Austin, Texas, 78758 (US). **NORMAN DAY, Michael**; c/o International Business Machines Corporation, 11400 Burnet Rd., Austin, Texas, 78758 (US). **PETER LIU, Peichun**; c/o International Business Machines Corporation, 11400 Burnet Rd., Austin, Texas, 78758 (US).

- (74) Agent: **MURATA, Yusuke**; 2-11-12, Ebisu-nishi, Shibuya-ku, Tokyo 1500021 (JP).
- (81) Designated States (*unless otherwise indicated, for every kind of national protection available*): AE, AG, AL, AM, AT, AU, AZ, BA, BB, BG, BR, BW, BY, BZ, CA, CH, CN, CO, CR, CU, CZ, DE, DK, DM, DZ, EC, EE, EG, ES, FI, GB, GD, GE, GH, GM, HR, HU, ID, IL, IN, IS, JP, KE, KG, KM, KN, KP, KR, KZ, LC, LK, LR, LS, LT, LU, LV, LY, MA, MD, MG, MK, MN, MW, MX, MZ, NA, NG, NI,

[Continued on next page]

(54) Title: METHODS AND APPARATUS FOR LIST TRANSFERS USING DMA TRANSFERS IN A MULTI-PROCESSOR SYSTEM



(57) Abstract: Methods and apparatus provide for transferring a plurality of data blocks between a shared memory and a local memory of a processor in response to a single DMA command issued by the processor to a direct memory access controller (DMAC), wherein the processor is capable of operative communication with the shared memory and the DMAC is operatively coupled to the local memory.

WO 2006/073204 A3



NO, NZ, OM, PG, PH, PL, PT, RO, RU, SC, SD, SE, SG,
SK, SL, SM, SY, TJ, TM, TN, TR, TT, TZ, UA, UG, US,
UZ, VC, VN, YU, ZA, ZM, ZW.

RO, SE, SI, SK, TR), OAPI (BF, BJ, CF, CG, CI, CM, GA,
GN, GQ, GW, ML, MR, NE, SN, TD, TG).

Published:

— with international search report

(84) Designated States (*unless otherwise indicated, for every kind of regional protection available*): ARIPO (BW, GH, GM, KE, LS, MW, MZ, NA, SD, SL, SZ, TZ, UG, ZM, ZW), Eurasian (AM, AZ, BY, KG, KZ, MD, RU, TJ, TM), European (AT, BE, BG, CH, CY, CZ, DE, DK, EE, ES, FI, FR, GB, GR, HU, IE, IS, IT, LT, LU, LV, MC, NL, PL, PT,

(88) Date of publication of the international search report:
8 February 2007

For two-letter codes and other abbreviations, refer to the "Guidance Notes on Codes and Abbreviations" appearing at the beginning of each regular issue of the PCT Gazette.

INTERNATIONAL SEARCH REPORT

International application No
PCT/JP2006/300237

A. CLASSIFICATION OF SUBJECT MATTER INV. G06F13/28 G06F15/16		
According to International Patent Classification (IPC) or to both national classification and IPC		
B. FIELDS SEARCHED		
Minimum documentation searched (classification system followed by classification symbols) G06F		
Documentation searched other than minimum documentation to the extent that such documents are included in the fields searched		
Electronic data base consulted during the international search (name of data base and, where practical, search terms used) EPO-Internal, WPI Data		
C. DOCUMENTS CONSIDERED TO BE RELEVANT		
Category*	Citation of document, with indication, where appropriate, of the relevant passages	Relevant to claim No.
X	EP 1 209 573 A (KABUSHIKI KAISHA TOSHIBA) 29 May 2002 (2002-05-29) paragraphs [0019] - [0023], [0025]; figure 1	1-25
A	US 6 128 674 A (BEUKEMA ET AL) 3 October 2000 (2000-10-03) figures 3,4 column 1, line 35 - line 63	1-25
A	EP 0 758 824 A (HONEYWELL INC) 19 February 1997 (1997-02-19) abstract; figure 2	1-25
<input type="checkbox"/> Further documents are listed in the continuation of Box C.		
<input checked="" type="checkbox"/> See patent family annex.		
* Special categories of cited documents :		
A document defining the general state of the art which is not considered to be of particular relevance *E* earlier document but published on or after the international filing date *L* document which may throw doubts on priority claim(s) or which is cited to establish the publication date of another citation or other special reason (as specified) *O* document referring to an oral disclosure, use, exhibition or other means *P* document published prior to the international filing date but later than the priority date claimed	*T* later document published after the international filing date or priority date and not in conflict with the application but cited to understand the principle or theory underlying the invention *X* document of particular relevance; the claimed invention cannot be considered novel or cannot be considered to involve an inventive step when the document is taken alone *Y* document of particular relevance; the claimed invention cannot be considered to involve an inventive step when the document is combined with one or more other such documents, such combination being obvious to a person skilled in the art. *&* document member of the same patent family	
Date of the actual completion of the international search <p style="text-align: center; font-weight: bold;">8 August 2006</p>	Date of mailing of the international search report <p style="text-align: center; font-weight: bold;">14/08/2006</p>	
Name and mailing address of the ISA/ European Patent Office, P.B. 5818 Patentlaan 2 NL - 2280 HV Rijswijk Tel. (+31-70) 340-2040, Tx. 31 651 epo nl, Fax: (+31-70) 340-3016	Authorized officer <p style="text-align: center; font-weight: bold;">Jünger, B</p>	

INTERNATIONAL SEARCH REPORT

Information on patent family members

International application No
PCT/JP2006/300237

Patent document cited in search report		Publication date		Patent family member(s)	Publication date
EP 1209573	A	29-05-2002	JP	2002163239 A	07-06-2002
			US	2002062352 A1	23-05-2002
US 6128674	A	03-10-2000	TW	508522 B	01-11-2002
EP 0758824	A	19-02-1997	CA	2182355 A1	16-02-1997
			DE	69628512 D1	10-07-2003
			DE	69628512 T2	29-04-2004
			US	5691984 A	25-11-1997