

(19) World Intellectual Property  
Organization  
International Bureau



(43) International Publication Date  
17 February 2005 (17.02.2005)

PCT

(10) International Publication Number  
WO 2005/013831 A3

(51) International Patent Classification<sup>7</sup>: A61B 10/00

MG, MK, MN, MW, MX, MZ, NA, NI, NO, NZ, OM, PG, PH, PL, PT, RO, RU, SC, SD, SE, SG, SK, SL, SY, TJ, TM, TN, TR, TT, TZ, UA, UG, US, UZ, VC, VN, YU, ZA, ZM, ZW.

(21) International Application Number:  
PCT/EP2004/008486

(22) International Filing Date: 29 July 2004 (29.07.2004)

(84) Designated States (unless otherwise indicated, for every kind of regional protection available): ARIPO (BW, GH, GM, KE, LS, MW, MZ, NA, SD, SL, SZ, TZ, UG, ZM, ZW), Eurasian (AM, AZ, BY, KG, KZ, MD, RU, TJ, TM), European (AT, BE, BG, CH, CY, CZ, DE, DK, EE, ES, FI, FR, GB, GR, HU, IE, IT, LU, MC, NL, PL, PT, RO, SE, SI, SK, TR), OAPI (BF, BJ, CF, CG, CI, CM, GA, GN, GQ, GW, ML, MR, NE, SN, TD, TG).

(25) Filing Language: English

(26) Publication Language: English

(30) Priority Data:  
MO2003A000230 7 August 2003 (07.08.2003) IT

(71) Applicants and

(72) Inventors: TESSITORE, Marco [IT/IT]; Via Papa Giovanni XXIII, 37, I-20091 Bresso (IT). BONARA, Daniele [IT/IT]; Via Cavour, 438, I-41032 Ponte Motta di Cavezzo (IT).

Declaration under Rule 4.17:

— of inventorship (Rule 4.17(iv)) for US only

Published:

— with international search report

— before the expiration of the time limit for amending the claims and to be republished in the event of receipt of amendments

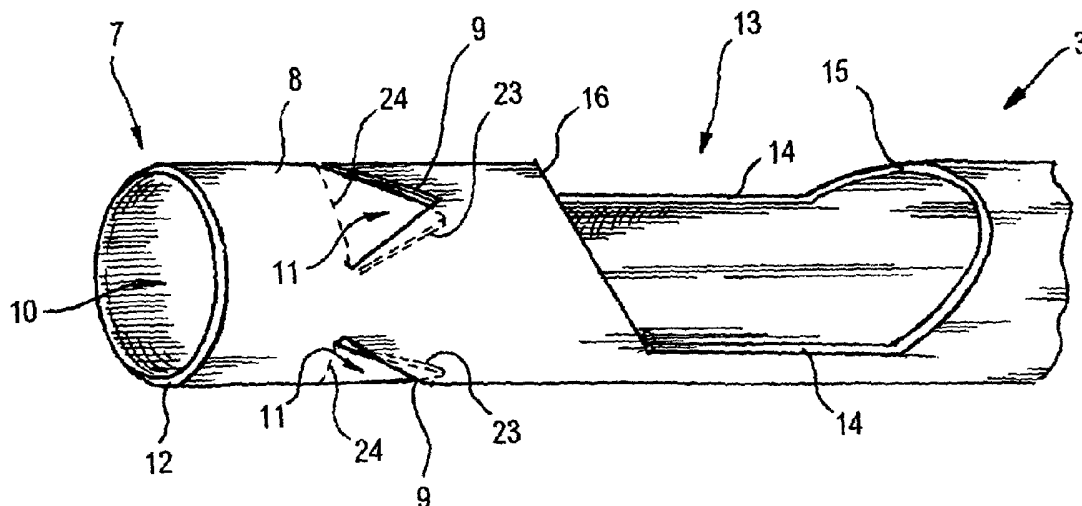
(74) Agent: LUPPI, Luigi; Luppi Crugnola Bergamini & Partners S.R.L., Viale Corassori, 54, I-41100 Modena (IT).

(81) Designated States (unless otherwise indicated, for every kind of national protection available): AE, AG, AL, AM, AT, AU, AZ, BA, BB, BG, BR, BW, BY, BZ, CA, CH, CN, CO, CR, CU, CZ, DE, DK, DM, DZ, EC, EE, EG, ES, FI, GB, GD, GE, GH, GM, HR, HU, ID, IL, IN, IS, JP, KE, KG, KP, KR, KZ, LC, LK, LR, LS, LT, LU, LV, MA, MD,

(88) Date of publication of the international search report:  
19 May 2005

For two-letter codes and other abbreviations, refer to the "Guidance Notes on Codes and Abbreviations" appearing at the beginning of each regular issue of the PCT Gazette.

(54) Title: DEVICE FOR TRANSCUTANEOUS BIOPSY OF TISSUES



(57) Abstract: Device (1) for taking a sample (25) of biological tissue (22) transcutaneously, comprising: needle means (2) having a tubular-shaped body, having an end associable with a grip and being provided with an edge (6) free at the opposite end (5), lamina means (11) movable between a neutral position wherein it lies near said tubular-shaped body and an operating position wherein it is distanced from the latter, characterized in that said lamina means (11) protrudes towards said end; device (1) for taking a sample (25) from a biological tissue (22) transcutaneously, comprising: needle means (2) having a tubular-shaped body, provided with an end associable with a grip and with a free edge (6) at the opposite end (5), characterized in that said needle means comprises window means (13) shaped in such a way that said sample (25) can be extracted by said device (1) through said window means (13).

WO 2005/013831 A3

# INTERNATIONAL SEARCH REPORT

Internat. Application No  
PCT/EP2004/008486

**A. CLASSIFICATION OF SUBJECT MATTER**  
IPC 7 A61B10/00

According to International Patent Classification (IPC) or to both national classification and IPC

**B. FIELDS SEARCHED**

Minimum documentation searched (classification system followed by classification symbols)  
IPC 7 A61B

Documentation searched other than minimum documentation to the extent that such documents are included in the fields searched

Electronic data base consulted during the international search (name of data base and, where practical, search terms used)

EP0-Internal, WPI Data, PAJ

**C. DOCUMENTS CONSIDERED TO BE RELEVANT**

Category °	Citation of document, with indication, where appropriate, of the relevant passages	Relevant to claim No.
X	DE 34 30 910 A (VYSOKA SKOLA POLNOHOSPODARSKA) 14 March 1985 (1985-03-14) page 4, paragraph 4 - page 5, paragraph 2; figure 1	1,2,5, 11,12,14
X	----- US 3 683 892 A (HARRIS ROY M) 15 August 1972 (1972-08-15) column 2, line 41 - line 65; figure 1	1,2,5,13
X	----- US 5 462 062 A (RUBINSTEIN ALAN I ET AL) 31 October 1995 (1995-10-31) column 2, line 59 - line 67; figure 2a	1,5-8, 10-12
X	----- EP 0 852 127 A (GALLINI S R L) 8 July 1998 (1998-07-08) column 4, line 12 - line 15; figure 4	1,5-10, 12,13
	----- -/--	

Further documents are listed in the continuation of box C.       Patent family members are listed in annex.

° Special categories of cited documents :

<p>"A" document defining the general state of the art which is not considered to be of particular relevance</p> <p>"E" earlier document but published on or after the international filing date</p> <p>"L" document which may throw doubts on priority claim(s) or which is cited to establish the publication date of another citation or other special reason (as specified)</p> <p>"O" document referring to an oral disclosure, use, exhibition or other means</p> <p>"P" document published prior to the international filing date but later than the priority date claimed</p>	<p>"T" later document published after the international filing date or priority date and not in conflict with the application but cited to understand the principle or theory underlying the invention</p> <p>"X" document of particular relevance; the claimed invention cannot be considered novel or cannot be considered to involve an inventive step when the document is taken alone</p> <p>"Y" document of particular relevance; the claimed invention cannot be considered to involve an inventive step when the document is combined with one or more other such documents, such combination being obvious to a person skilled in the art.</p> <p>"&amp;" document member of the same patent family</p>
--	--

Date of the actual completion of the international search  <b>29 November 2004</b>	Date of mailing of the international search report  <b>08 MAR 2005</b>
--	--

Name and mailing address of the ISA European Patent Office, P.B. 5818 Patentlaan 2 NL - 2280 HV Rijswijk Tel. (+31-70) 340-2040, Tx. 31 651 epo nl, Fax: (+31-70) 340-3016	Authorized officer  <b>Mayer-Martenson, E</b>
--	---

## INTERNATIONAL SEARCH REPORT

International Application No  
PCT/EP 2004/008486

C.(Continuation) DOCUMENTS CONSIDERED TO BE RELEVANT		
Category °	Citation of document, with indication, where appropriate, of the relevant passages	Relevant to claim No.
X	WO 02/07602 A (CASULA GIANFRANCO ; H S HOSPITAL SERVICE S P A (IT)) 31 January 2002 (2002-01-31) cited in the application abstract; figure 3 -----	1
A	EP 1 210 911 A (ISLAM ANWARUL) 5 June 2002 (2002-06-05) abstract; figure 1 -----	1

# INTERNATIONAL SEARCH REPORT

International application No.  
CT/EP2004/008486

## Box II Observations where certain claims were found unsearchable (Continuation of item 2 of first sheet)

This International Search Report has not been established in respect of certain claims under Article 17(2)(a) for the following reasons:

1.  Claims Nos.:  
because they relate to subject matter not required to be searched by this Authority, namely:
  
2.  Claims Nos.:  
because they relate to parts of the International Application that do not comply with the prescribed requirements to such an extent that no meaningful International Search can be carried out, specifically:
  
3.  Claims Nos.:  
because they are dependent claims and are not drafted in accordance with the second and third sentences of Rule 6.4(a).

## Box III Observations where unity of invention is lacking (Continuation of item 3 of first sheet)

This International Searching Authority found multiple inventions in this international application, as follows:

see additional sheet

1.  As all required additional search fees were timely paid by the applicant, this International Search Report covers all searchable claims.
2.  As all searchable claims could be searched without effort justifying an additional fee, this Authority did not invite payment of any additional fee.
3.  As only some of the required additional search fees were timely paid by the applicant, this International Search Report covers only those claims for which fees were paid, specifically claims Nos.:
4.  No required additional search fees were timely paid by the applicant. Consequently, this International Search Report is restricted to the invention first mentioned in the claims; it is covered by claims Nos.:  
1, 2, 5-14

### Remark on Protest

- The additional search fees were accompanied by the applicant's protest.
- No protest accompanied the payment of additional search fees.

FURTHER INFORMATION CONTINUED FROM PCT/ISA/ 210

This International Searching Authority found multiple (groups of) inventions in this international application, as follows:

1. claims: 1,2,5-14

Device for taking a sample including lamina means  
---

2. claims: 3,4

Device for taking a sample including a window means  
---

## INTERNATIONAL SEARCH REPORT

Information on patent family members

International Application No

PCT/EP2004/008486

Patent document cited in search report		Publication date	Patent family member(s)		Publication date
DE 3430910	A	14-03-1985	CS	8306092 A1	13-11-1985
			DE	3430910 A1	14-03-1985
			NL	8402558 A	18-03-1985
-----					
US 3683892	A	15-08-1972	NONE		
-----					
US 5462062	A	31-10-1995	WO	9319675 A1	14-10-1993
			US	5595186 A	21-01-1997
			US	5885226 A	23-03-1999
-----					
EP 0852127	A	08-07-1998	IT	B0970001 A1	03-07-1998
			DE	69720669 D1	15-05-2003
			DE	69720669 T2	18-12-2003
			EP	0852127 A1	08-07-1998
			ES	2193323 T3	01-11-2003
			US	5910121 A	08-06-1999
-----					
WO 0207602	A	31-01-2002	IT	M020000159 A1	21-01-2002
			AU	7093301 A	05-02-2002
			BR	0112576 A	01-02-2005
			CA	2416468 A1	31-01-2002
			EP	1408840 A2	21-04-2004
			WO	0207602 A2	31-01-2002
			JP	2004507291 T	11-03-2004
			US	2003171694 A1	11-09-2003
-----					
EP 1210911	A	05-06-2002	GB	2370228 A	26-06-2002
			EP	1210911 A2	05-06-2002
-----					