



US00D340161S

United States Patent [19]

[11] Patent Number: **Des. 340,161**

Regidor

[45] Date of Patent: **** Oct. 12, 1993**

[54] **DENTAL CADDY**

[76] Inventor: **Rosaline M. Regidor**, 909 University Ave. #304, Honolulu, Hi. 96826

[**] Term: **14 Years**

[21] Appl. No.: **558,403**

[22] Filed: **Jul. 27, 1990**

[52] U.S. Cl. **D6/528; D6/530**

[58] Field of Search **D6/524, 527-528, D6/530, 534; 221/45-46, 282-283; 222/173, 180, 92-93, 105**

D. 314,109	1/1991	Jordan	D6/528
2,003,283	6/1935	Chatelain	221/45 X
3,155,278	11/1964	LeBaron	222/93
3,241,721	3/1966	Freeman	222/93

Primary Examiner—Brian N. Vinson
Attorney, Agent, or Firm—Leon Gilden

[57] CLAIM

The ornamental design for a dental caddy, as shown and described.

DESCRIPTION

FIG. 1 is a front elevational view of the dental caddy showing my new design;
FIG. 2 is a rear elevational view thereof;
FIG. 3 is a left side elevational view thereof;
FIG. 4 is a right side elevational view thereof;
FIG. 5 is a top plan view thereof;
FIG. 6 is a bottom plan view thereof; and,
FIG. 7 is a perspective view thereof.

[56] References Cited

U.S. PATENT DOCUMENTS

D. 207,630	5/1967	Jones	D6/528
D. 270,794	10/1983	Bird	D6/530
D. 286,348	10/1986	Gandet, Sr.	D6/528 X
D. 301,423	6/1989	Waltel, Jr.	D6/530

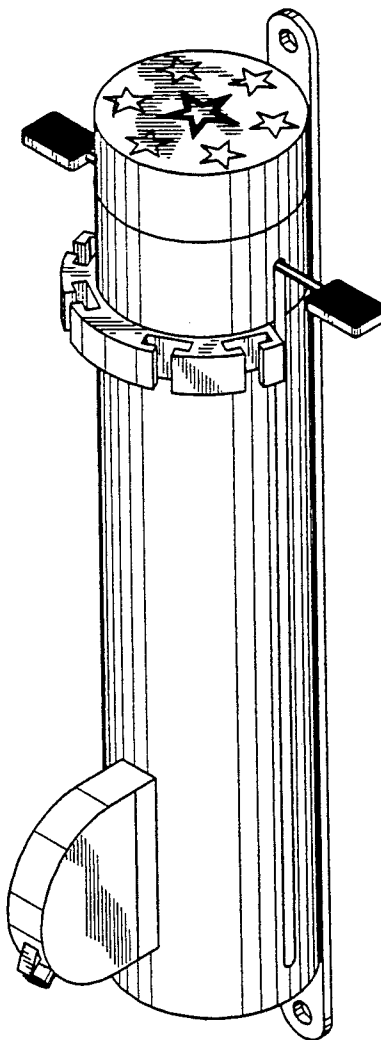


FIG. 1

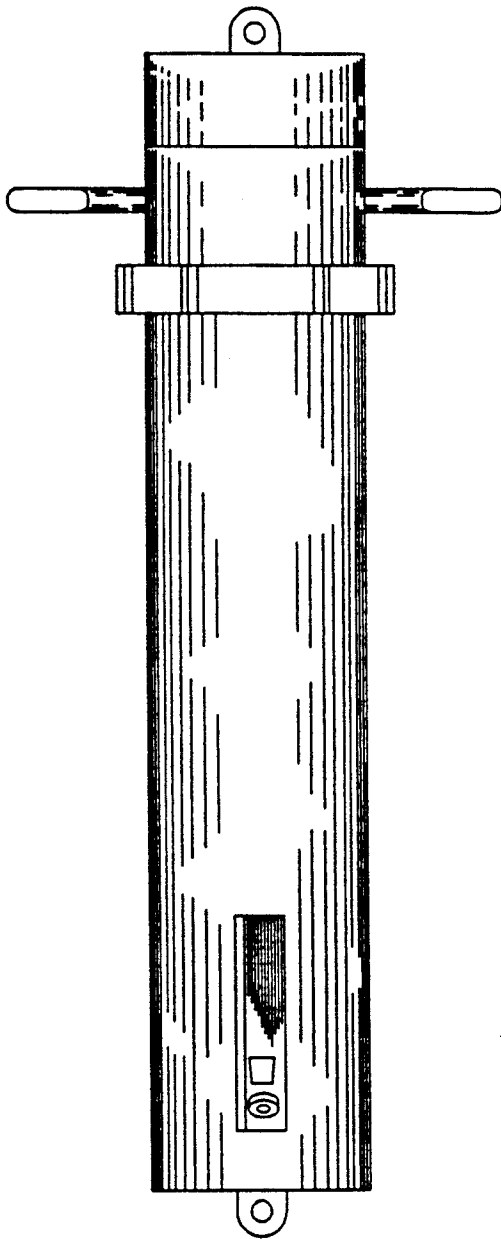


FIG. 2

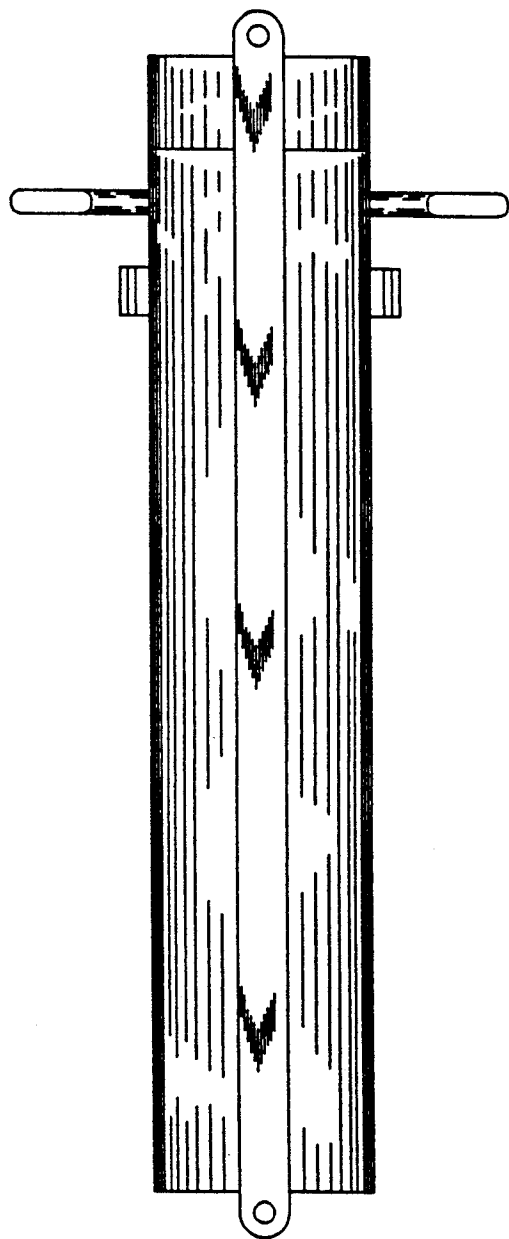


FIG. 3

FIG. 4

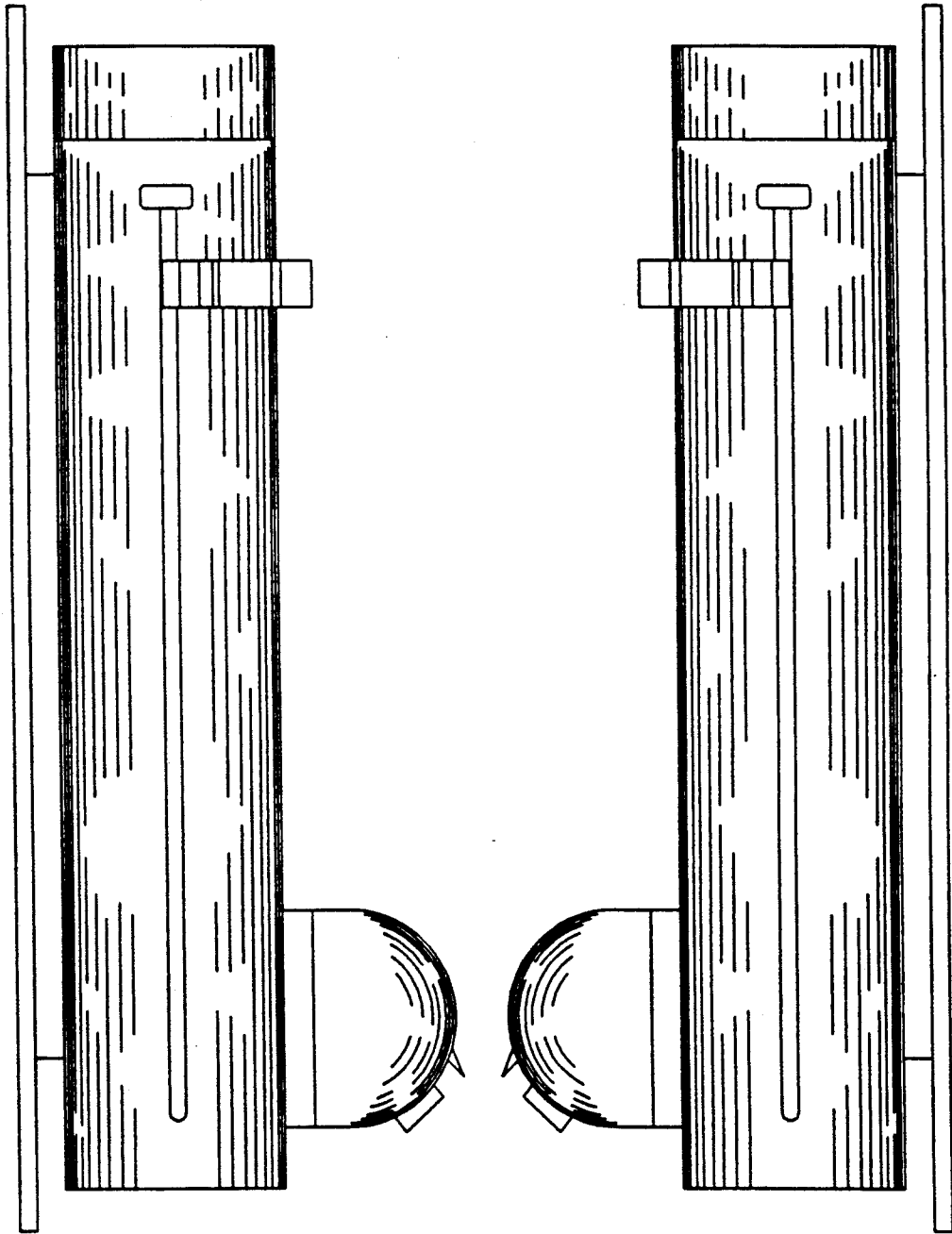


FIG. 5

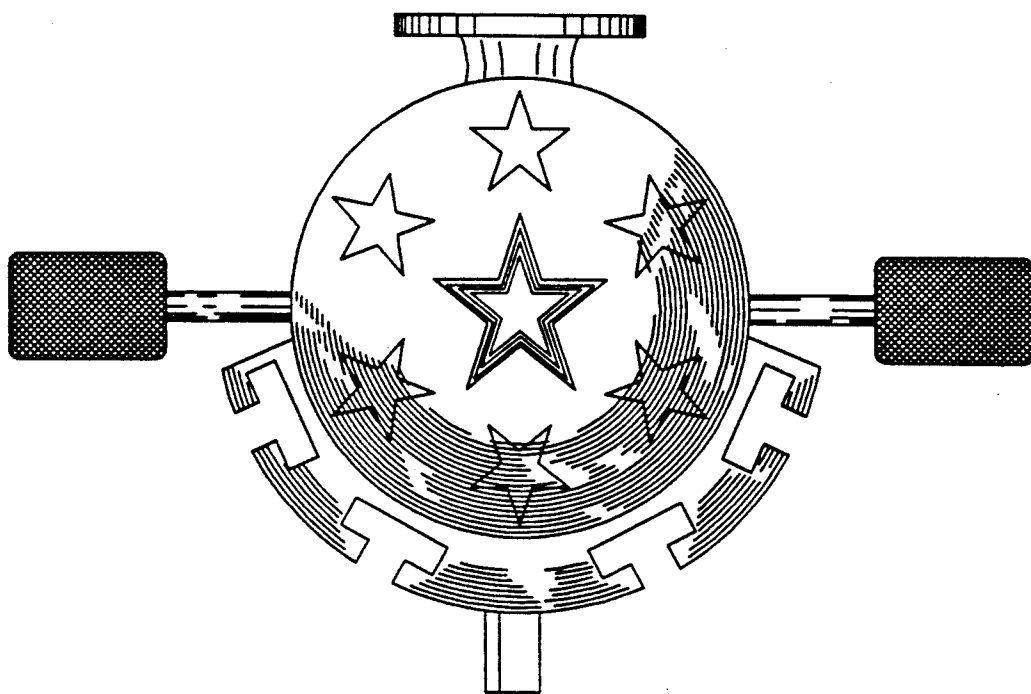


FIG. 6

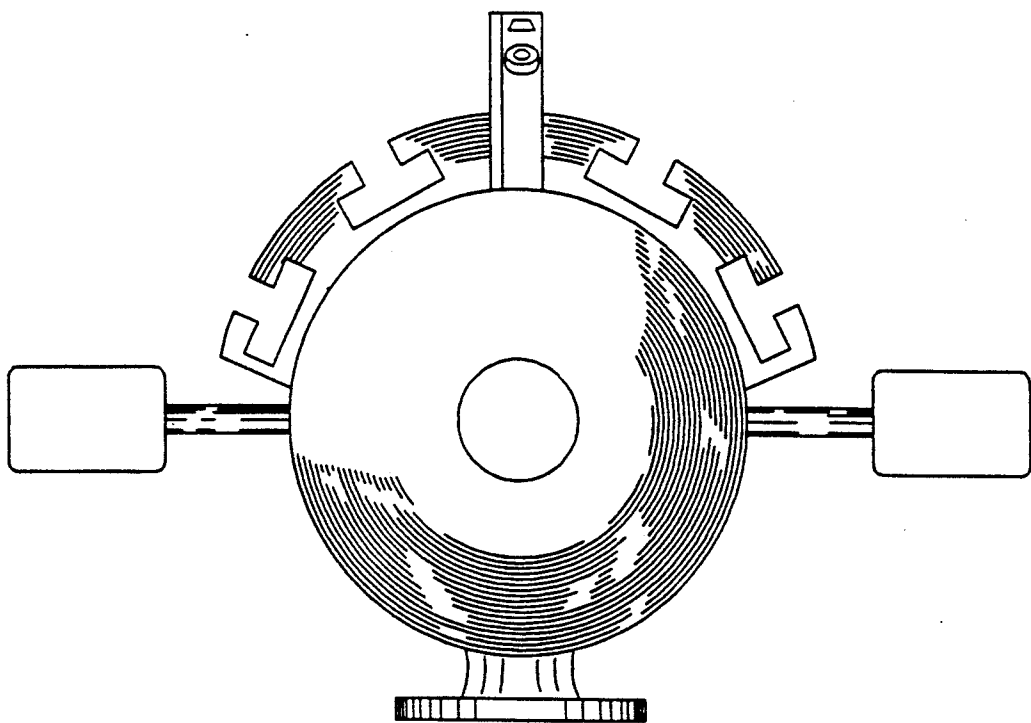


FIG. 7

