



US00D726348S

(12) **United States Design Patent**
Cohen

(10) **Patent No.:** **US D726,348 S**

(45) **Date of Patent:** **** Apr. 7, 2015**

(54) **SELF-CONTAINED SOLAR-POWERED
SCREW-IN LED MODULE**

(71) Applicant: **RSR Sales, Inc.**, Ann Arbor, MI (US)

(72) Inventor: **Richard Cohen**, Ann Arbor, MI (US)

(73) Assignee: **RSR Sales, Inc.**, Ann Arbor, MI (US)

(**) Term: **14 Years**

(21) Appl. No.: **29/453,763**

(22) Filed: **May 2, 2013**

(51) **LOC (10) Cl.** **26-04**

(52) **U.S. Cl.**
USPC **D26/1**

(58) **Field of Classification Search**
USPC D26/1-4, 28-36; 313/313, 315, 316,
313/317, 318; 315/52, 53, 56, 57, 58

See application file for complete search history.

(56) **References Cited**

U.S. PATENT DOCUMENTS

D508,291 S *	8/2005	Janssen	D26/1
D548,857 S *	8/2007	Egawa	D26/1
D600,836 S *	9/2009	Hanley et al.	D26/1
D625,847 S *	10/2010	Maglica	D26/1
D626,255 S *	10/2010	Hiratsuka	D26/1

* cited by examiner

Primary Examiner — Marcus Jackson

(74) *Attorney, Agent, or Firm* — Gifford, Krass, Sprinkle,
Anderson & Citkowski, P.C.

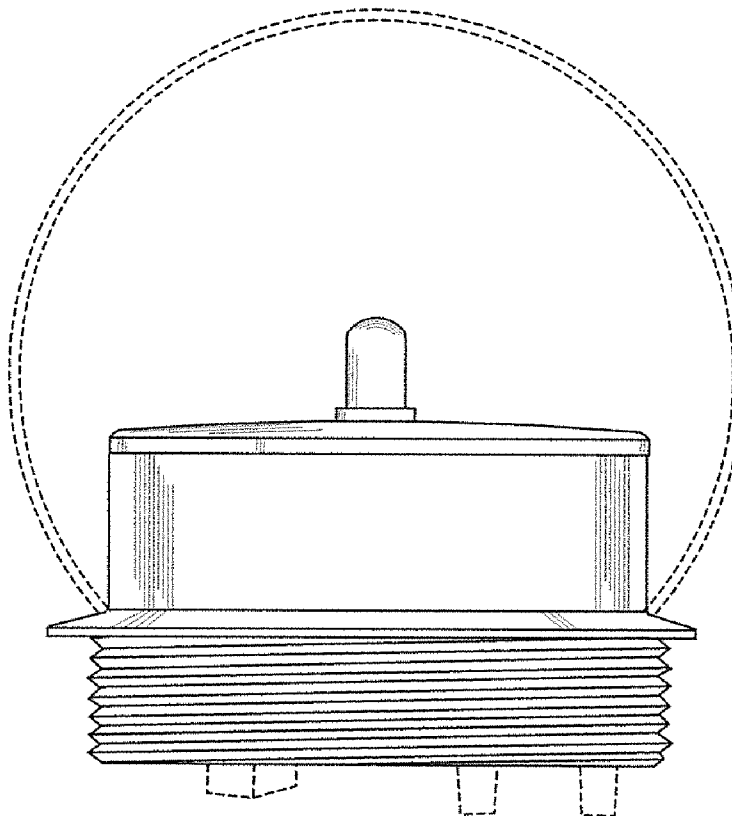
(57) **CLAIM**

The ornamental design for a self-contained solar-powered
screw-in LED module, as shown and described.

DESCRIPTION

FIG. 1 is side view;
FIG. 2 is top view; and,
FIG. 3 is bottom view.

1 Claim, 1 Drawing Sheet



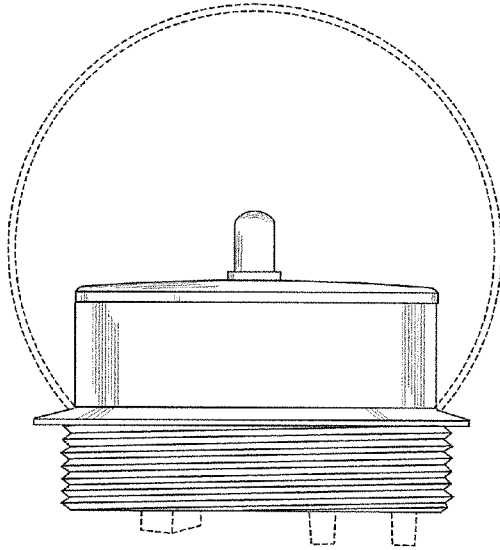


Fig - 1

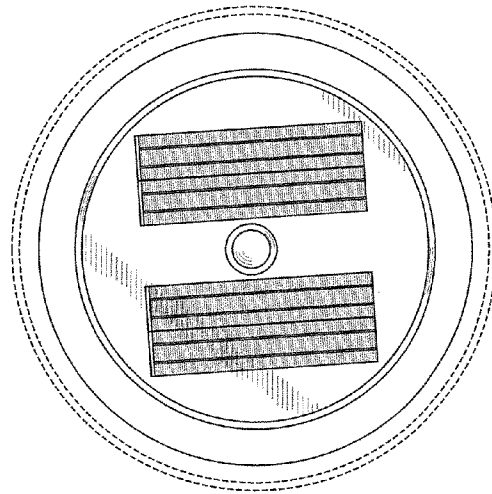


Fig - 2

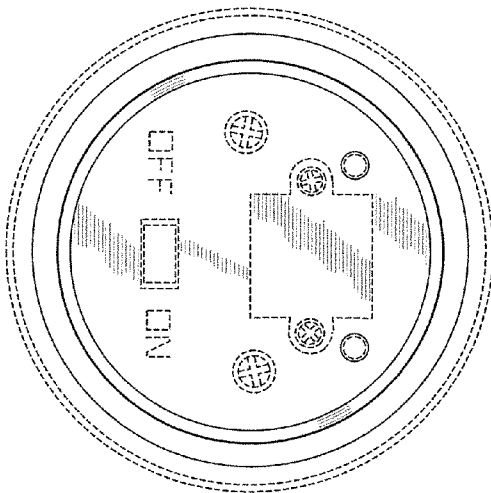


Fig - 3