



US00D803756S

(12) **United States Design Patent**
Andersen et al.

(10) **Patent No.:** **US D803,756 S**

(45) **Date of Patent:** **** Nov. 28, 2017**

(54) **FUEL TANK FOR A WORK VEHICLE**

(71) Applicant: **Deere & Company**, Moline, IL (US)

(72) Inventors: **Brian L. Andersen**, Reinbeck, IA (US);
James W. Wienkes, Dike, IA (US);
Craig E. Rehmert, Fairbank, IA (US)

(73) Assignee: **DEERE & COMPANY**, Moline, IL (US)

(**) Term: **15 Years**

(21) Appl. No.: **29/566,703**

(22) Filed: **Jun. 2, 2016**

(51) **LOC (10) Cl.** **12-06**

(52) **U.S. Cl.**
USPC **D12/218; D15/28**

(58) **Field of Classification Search**
USPC D12/218; D15/15, 17, 23, 28
CPC B60K 15/00; B60K 15/03; B60K 15/0306;
B60K 15/063; B60K 15/073; B60K
15/07; B62D 21/16; F02M 37/0094
See application file for complete search history.

(56) **References Cited**

U.S. PATENT DOCUMENTS

4,480,845	A *	11/1984	Hansen	B60K 15/00 280/164.1
D282,921	S *	3/1986	Eureka	D12/218
D433,425	S *	11/2000	Surrige	D15/17
D435,503	S *	12/2000	Gukeisen	D12/218
D441,710	S *	5/2001	Moehle	D12/218
6,550,811	B1 *	4/2003	Bennett	B60K 15/03 180/314
D484,893	S *	1/2004	Hsiao	D15/9
D551,153	S *	9/2007	Oury	D12/218
D562,350	S *	2/2008	Higashikawa	D12/218
D564,431	S *	3/2008	Orr	D12/196
D588,054	S *	3/2009	Xi-Ren	D12/218
D644,160	S *	8/2011	Fries	D12/218

D644,161	S *	8/2011	Fries	D12/218
D647,166	S *	10/2011	Kimball	D23/202
D655,372	S *	3/2012	Kimball	D23/202
D656,520	S *	3/2012	Ortlund	D12/218
D663,325	S *	7/2012	Thunstrom	D15/13
D669,099	S *	10/2012	Ringer	D15/28
D694,167	S *	11/2013	Forsberg	D12/218

(Continued)

OTHER PUBLICATIONS

New Holland T9 Saddle Tanks, New Holland [online]. [retrieved on Sep. 9, 2015]. Retrieved from the Internet: <<http://agriculture.newholland.com/us/en/About-New-Holland/Innovation/Pages/T9.aspx>>.

(Continued)

Primary Examiner — Darlington Ly

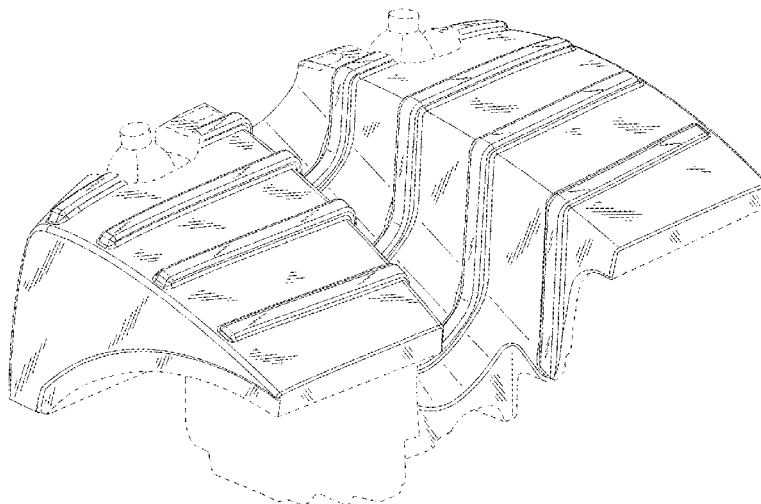
(57) **CLAIM**

The ornamental design for a fuel tank for a work vehicle, as shown and described.

DESCRIPTION

FIG. 1 is a top, rear, and left side perspective view of a fuel tank for a work vehicle showing our new design; FIG. 2 is a left side elevation view thereof; FIG. 3 is a right side elevation view thereof; FIG. 4 is a front elevation view thereof; FIG. 5 is a rear elevation view thereof; FIG. 6 is a top plan view thereof; FIG. 7 is a bottom plan view thereof; FIG. 8 is a top, rear, and left side perspective view thereof; and, FIG. 9 is a rear and left side perspective view thereof. The broken lines in the drawings illustrate an environmental work vehicle and portions of the fuel tank that form no part of the claimed design. The nature of this product is a fuel tank for a work vehicle, such as a tractor.

1 Claim, 8 Drawing Sheets



(56)

References Cited

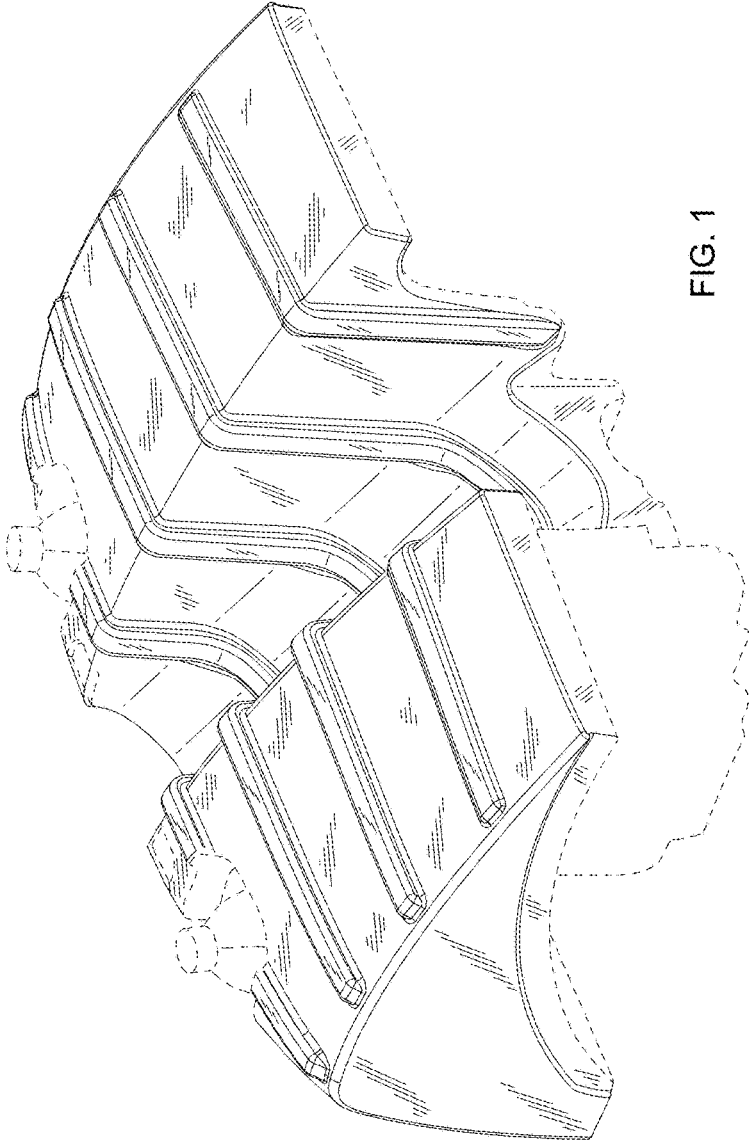
U.S. PATENT DOCUMENTS

D695,202 S * 12/2013 Forsberg D12/218
D713,424 S * 9/2014 Gonzales D15/28
D728,632 S * 5/2015 Klassen D12/218
D728,633 S * 5/2015 Klassen D12/218
D772,773 S * 11/2016 Andersen D12/218
D775,238 S * 12/2016 Roemer D12/218
D792,479 S * 7/2017 Sasaki D15/17

OTHER PUBLICATIONS

Unpublished U.S. Appl. No. 29/535,446, filed Aug. 6, 2015.

* cited by examiner



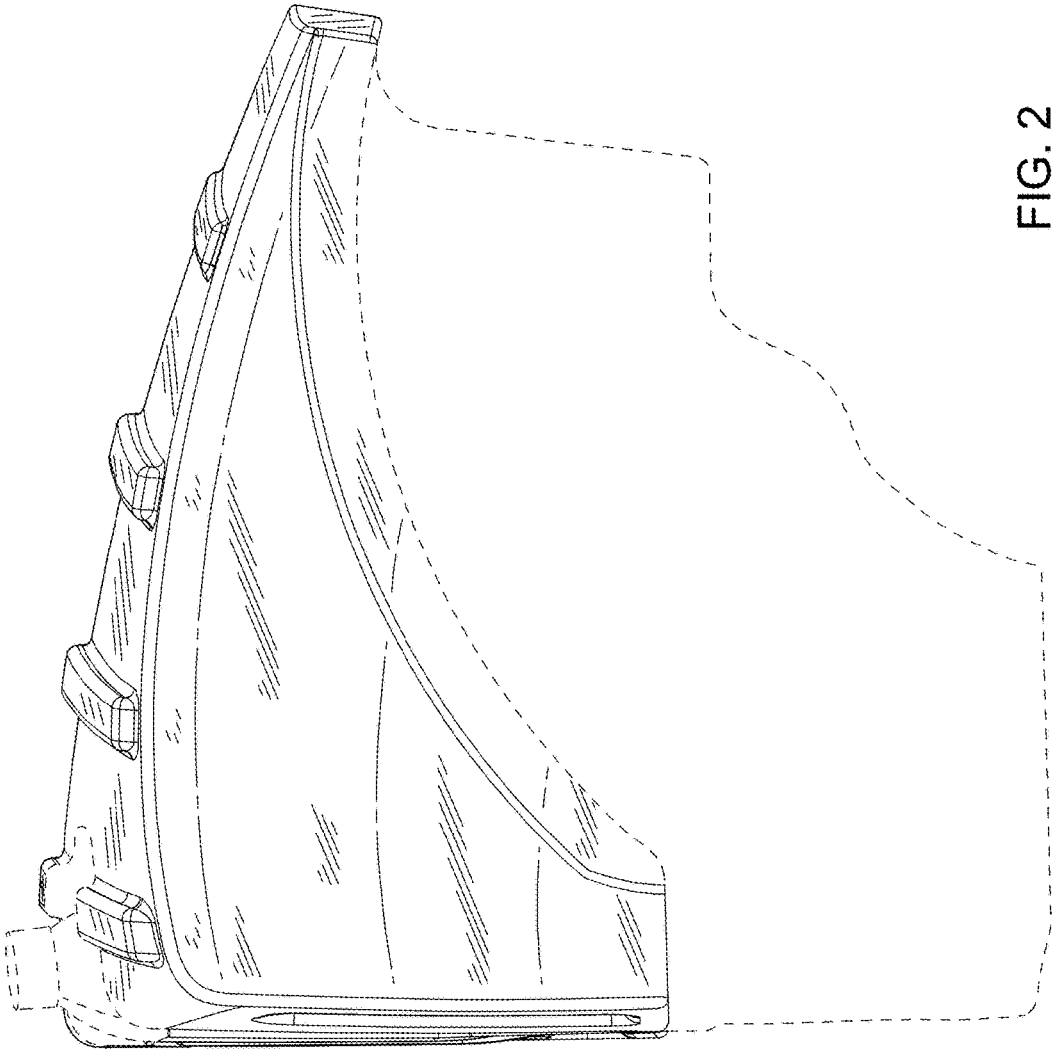
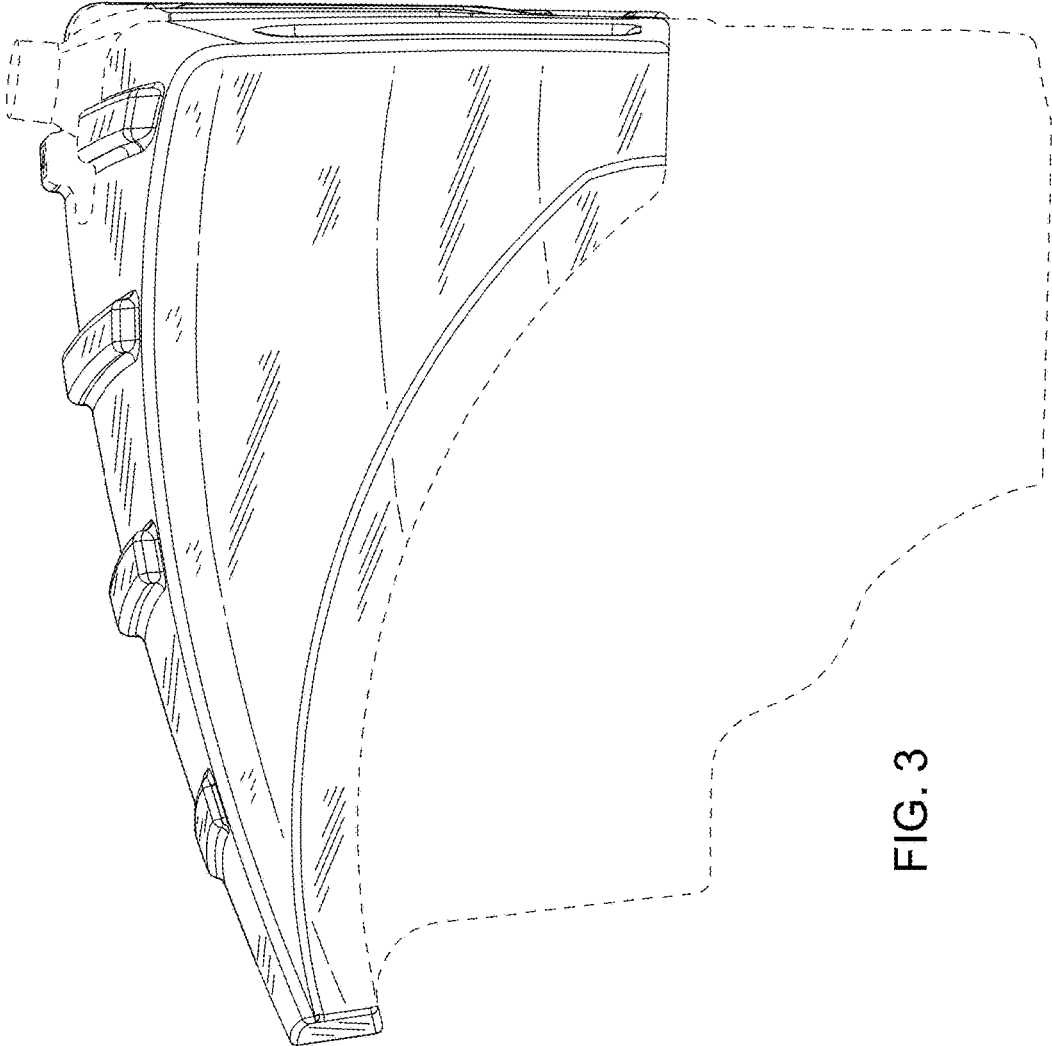


FIG. 2



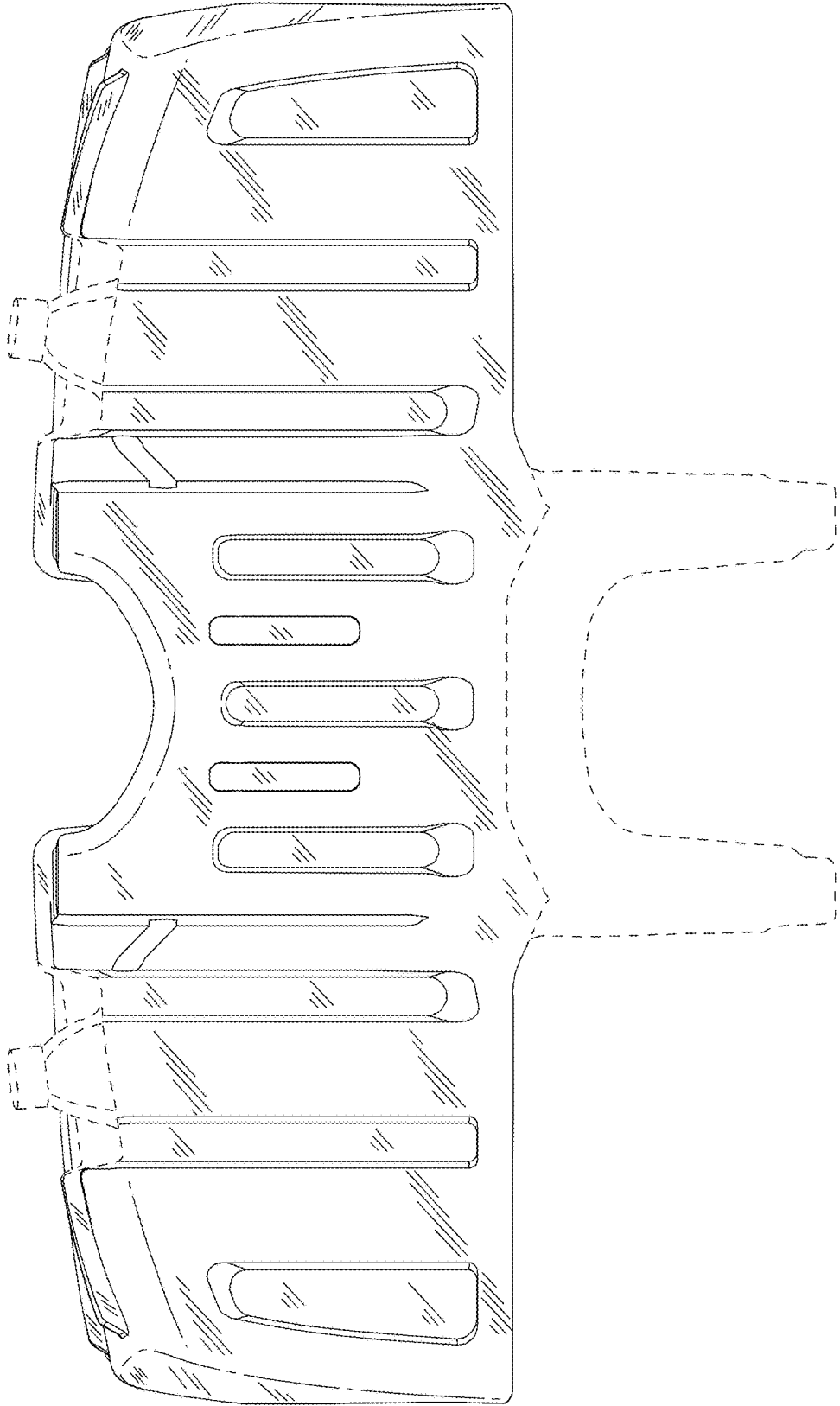


FIG. 4

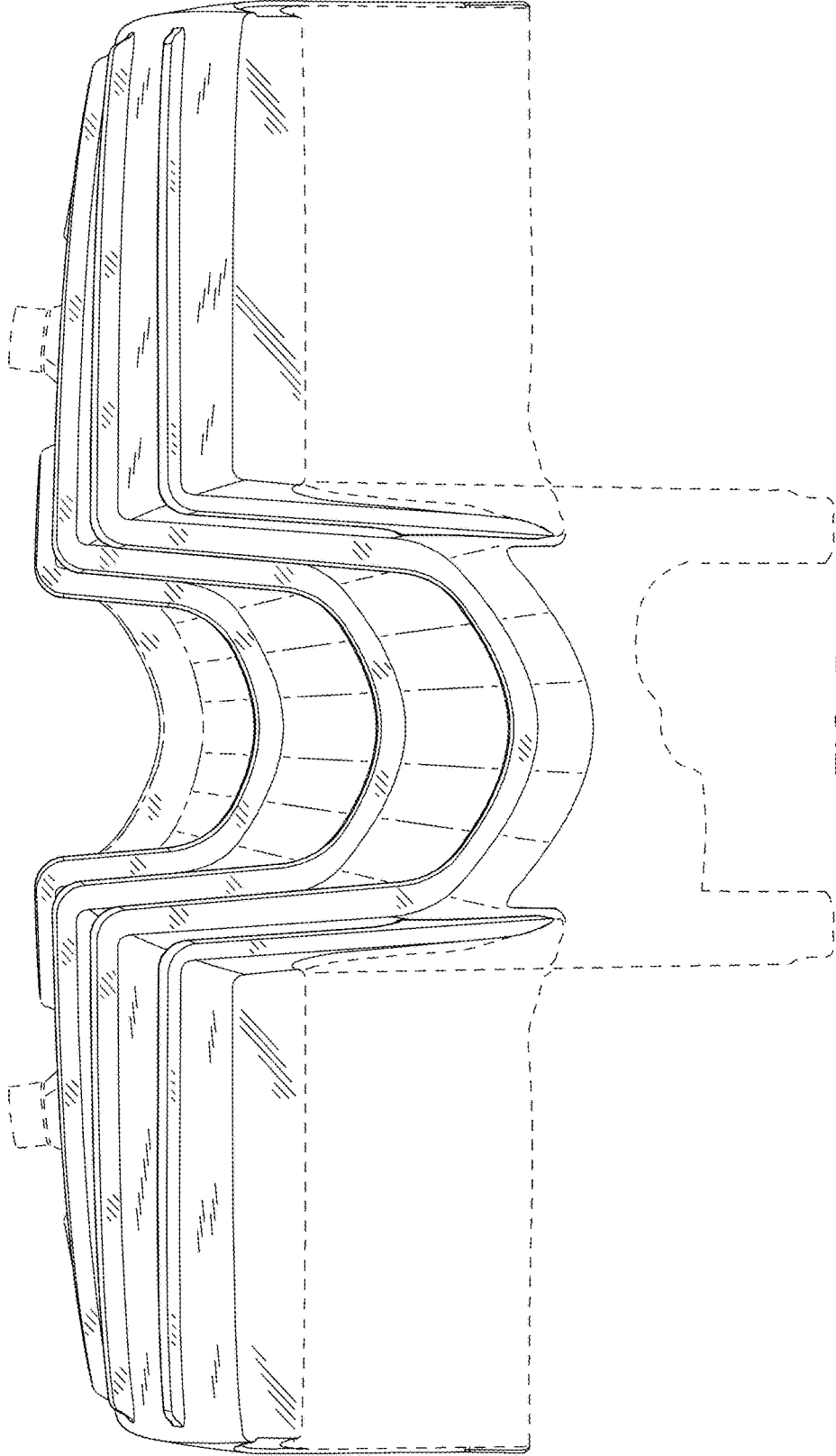


FIG. 5

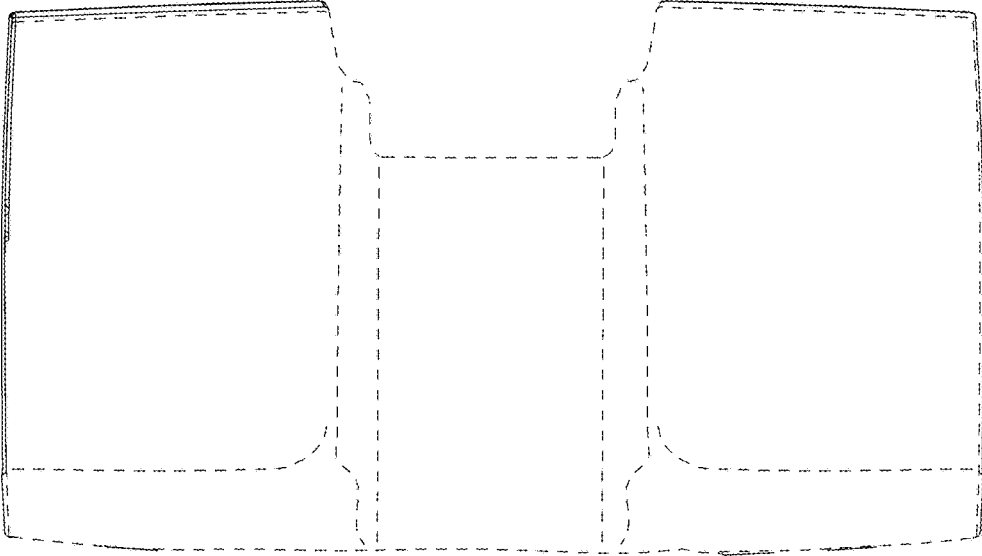


FIG. 7

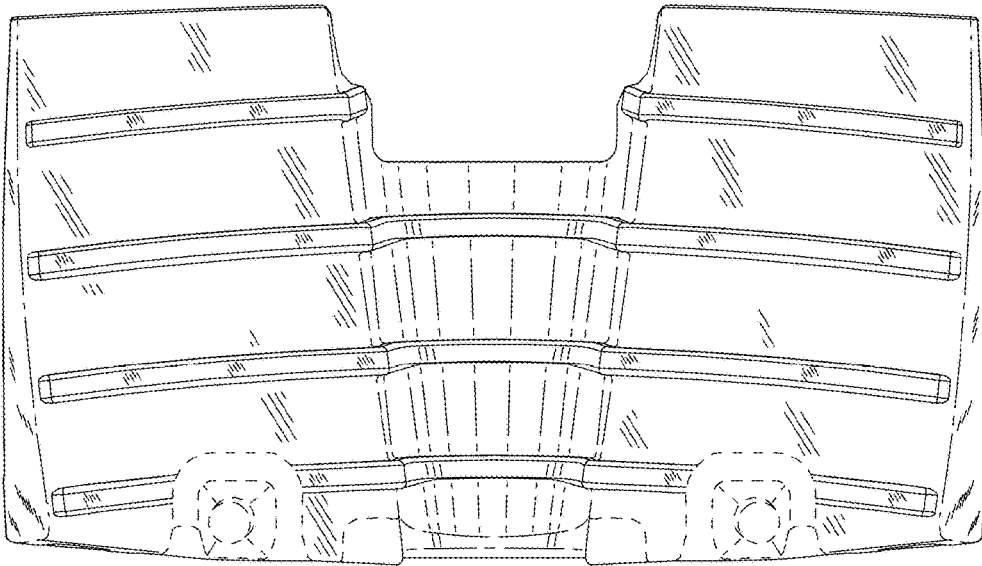


FIG. 6

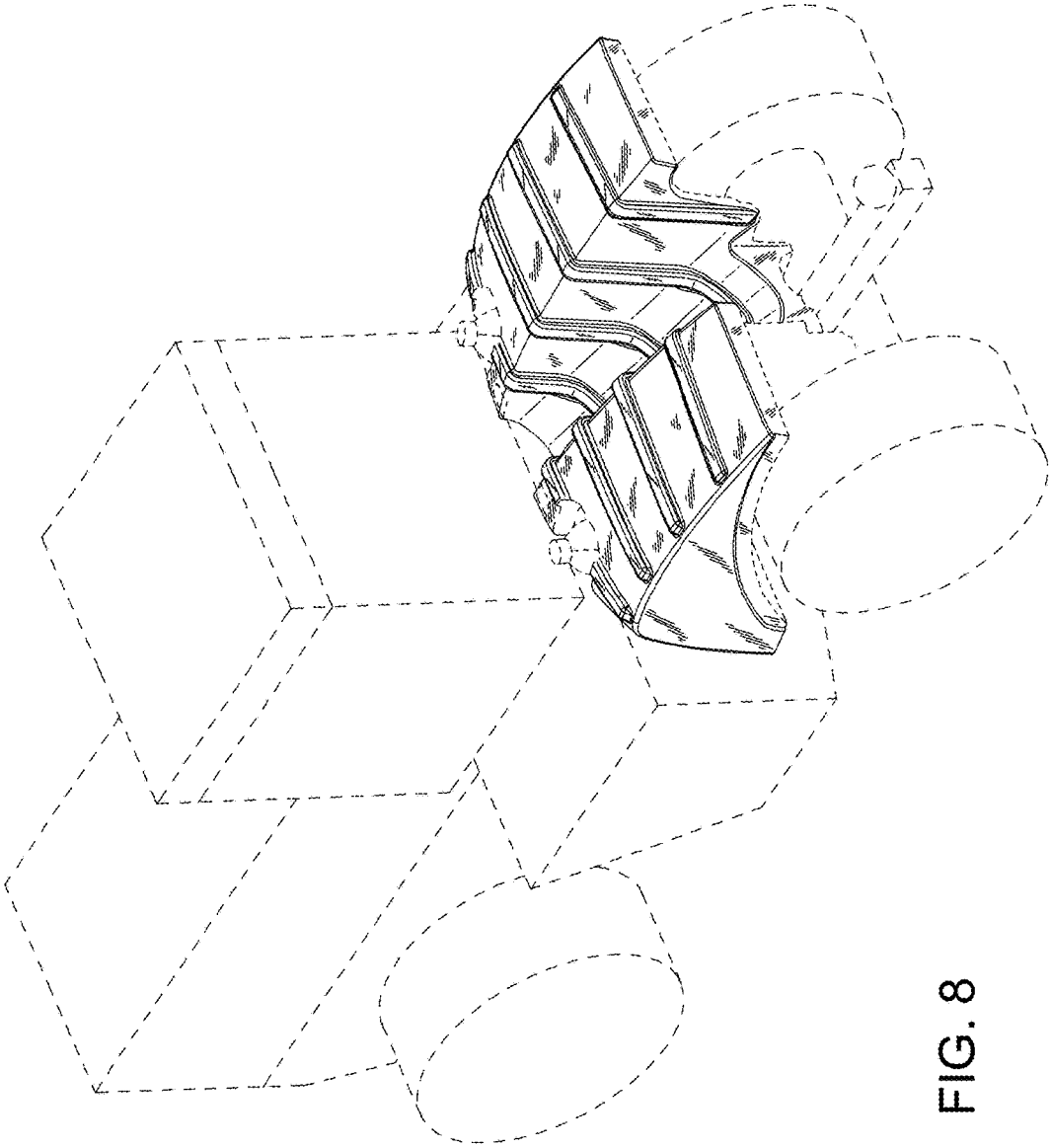


FIG. 8

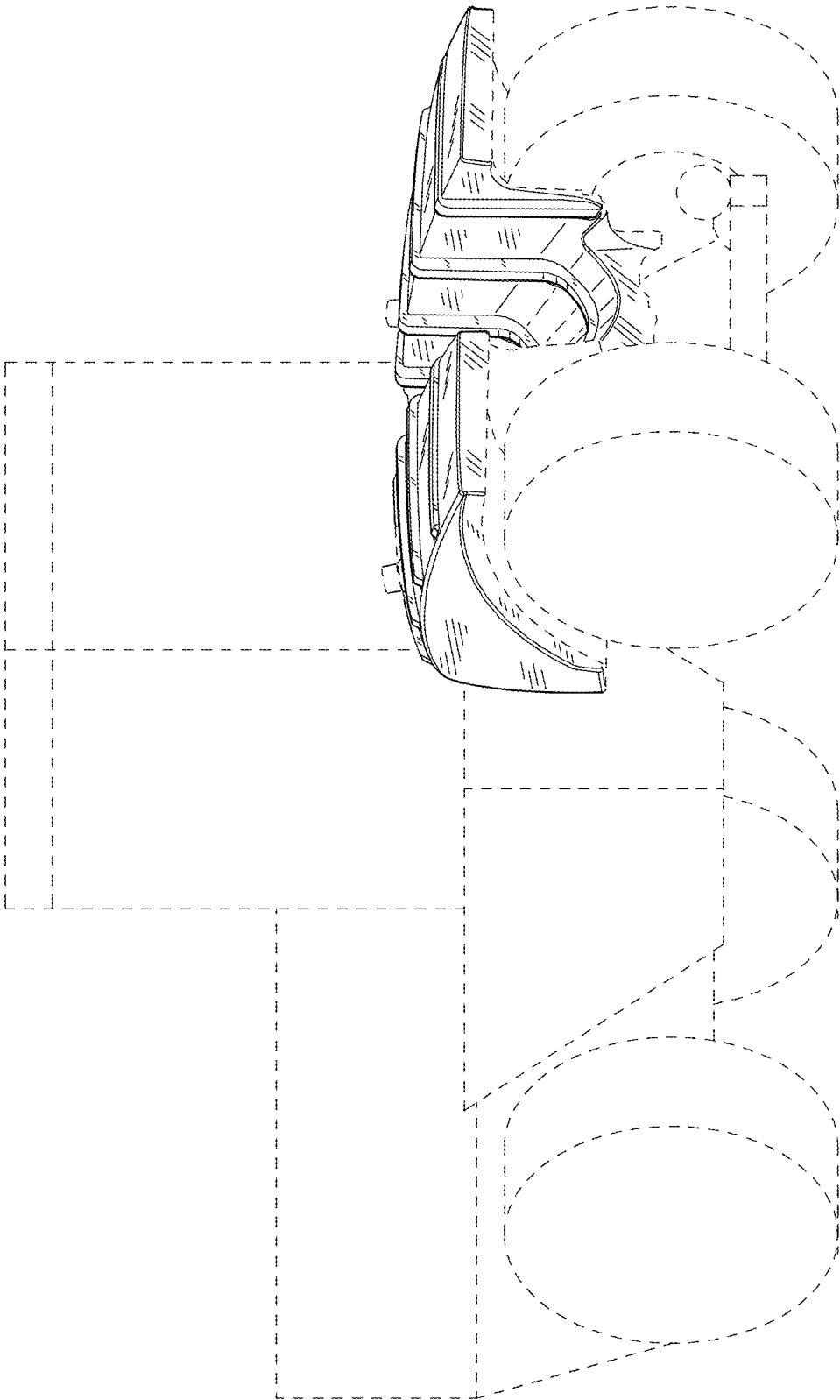


FIG. 9