



US0D1042012S

(12) **United States Design Patent**
Nathan et al.

(10) **Patent No.:** **US D1,042,012 S**

(45) **Date of Patent:** **** Sep. 17, 2024**

(54) **KETTLE LID**

(71) Applicant: **Caraway Home, Inc.**, New York, NY (US)

(72) Inventors: **Jordan Nathan**, New York, NY (US);
Bret Recor, San Francisco, CA (US);
Kenneth Young, San Francisco, CA (US);
Benjamin Gross, San Francisco, CA (US);
Christoph Andrejeic, San Francisco, CA (US)

(73) Assignee: **Caraway Home, Inc.**, New York, NY (US)

(**) Term: **15 Years**

(21) Appl. No.: **29/850,019**

(22) Filed: **Aug. 16, 2022**

(51) **LOC (14) Cl.** **07-02**

(52) **U.S. Cl.**
USPC **D7/391; D7/415**

(58) **Field of Classification Search**
USPC D7/213, 300, 305, 310, 312, 314, 317,
D7/321, 322, 354, 356, 358, 360, 361,
D7/366, 378, 387, 391, 392, 392.1, 396.2,
D7/402, 412, 413, 415, 601, 602, 603,
D7/605, 607, 608, 612, 615, 619.1, 619.2,
D7/622, 629, 703, 709, 630, 393, 505,
D7/318, 319; D9/414, 434, 435, 436,
D9/443, 445, 452, 453, 454, 502, 503,
D9/504, 516, 523, 528, 529, 530, 531,
(Continued)

(56) **References Cited**

U.S. PATENT DOCUMENTS

D250,386 S * 11/1978 Tuggy D7/391
D256,085 S * 7/1980 Tuggy 16/DIG. 30
(Continued)

OTHER PUBLICATIONS

Caraway Blog, posted Aug. 22, 2022 [online], [retrieved Dec. 14, 2023]. Retrieved from internet, <https://www.carawayhome.com/blog/introducing-the-tea-kettle/> (Year: 2022).*

(Continued)

Primary Examiner — Vy N Koenig

Assistant Examiner — Yen Le Southwood

(74) *Attorney, Agent, or Firm* — Bochner PLLC; Andrew D. Bochner

(57) **CLAIM**

The ornamental design for a kettle lid, as shown and described.

DESCRIPTION

FIG. 1 is a top, front, right side, perspective view of a kettle lid;

FIG. 2 is a front elevation, the rear elevation view being a mirror image thereof;

FIG. 3 is a left-side elevation view, the right-side elevation view being a mirror image thereof;

FIG. 4 is a top plan view thereof;

FIG. 5 is a bottom plan view thereof;

FIG. 6 is a cross-section view thereof, taken along line 6-6 of FIG. 2;

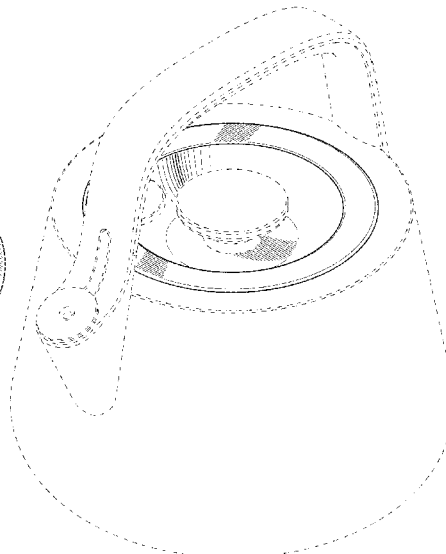
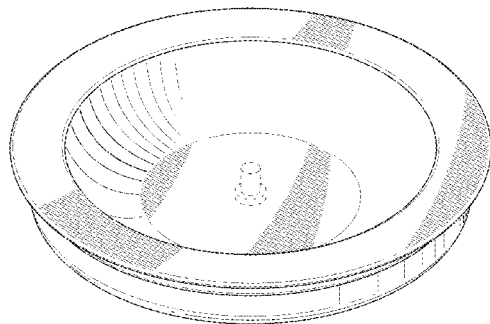
FIG. 7 is a top, front, right-side, perspective view thereof, shown with environment in broken line;

FIG. 8 is a top, front, right-side perspective view thereof; shown with a gasket installed as unclaimed subject matter; and,

FIG. 9 is a top, front, right-side exploded perspective view thereof, shown with a gasket as unclaimed matter.

The broken lines depict portions of the kettle lid and additional environmental structure, such as the kettle body in FIG. 7 and gasket in FIGS. 8 and 9, that form no part of the claimed design.

1 Claim, 5 Drawing Sheets



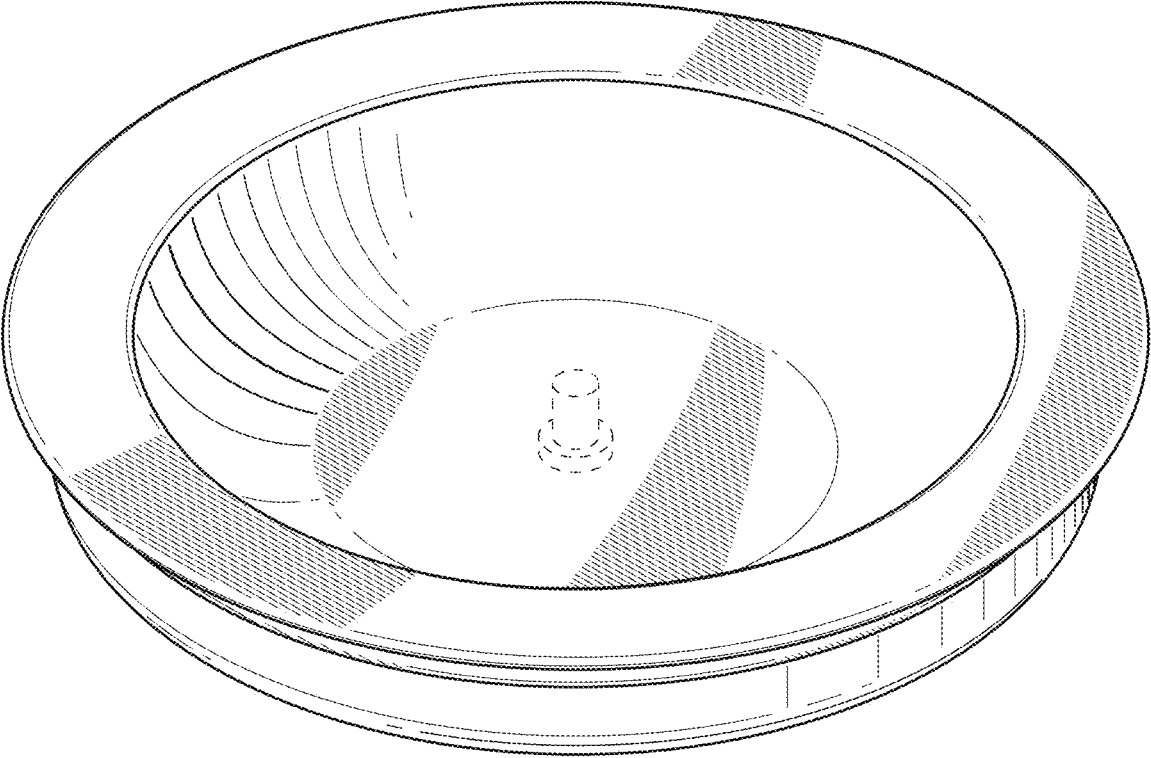


FIG. 1

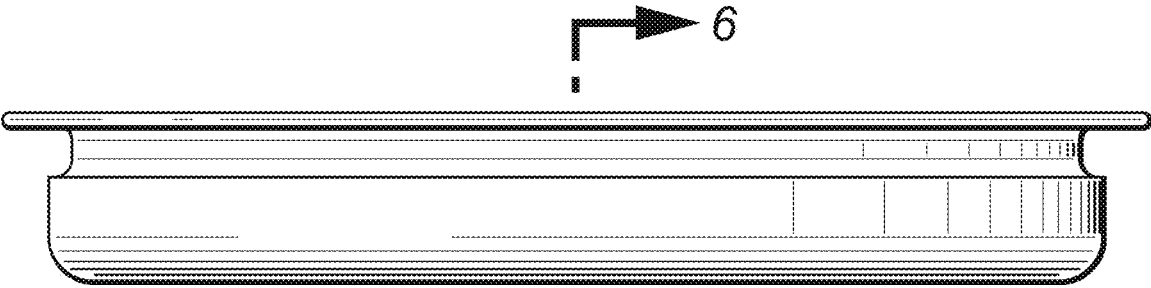


FIG. 2

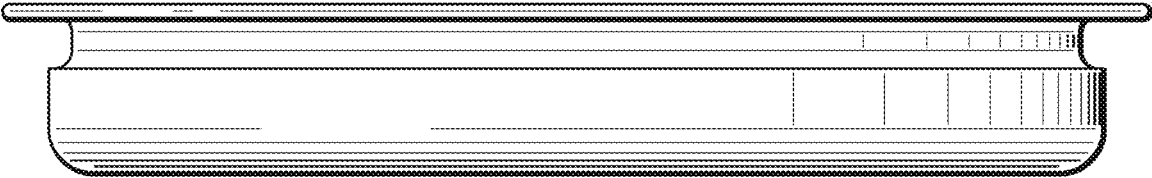


FIG. 3

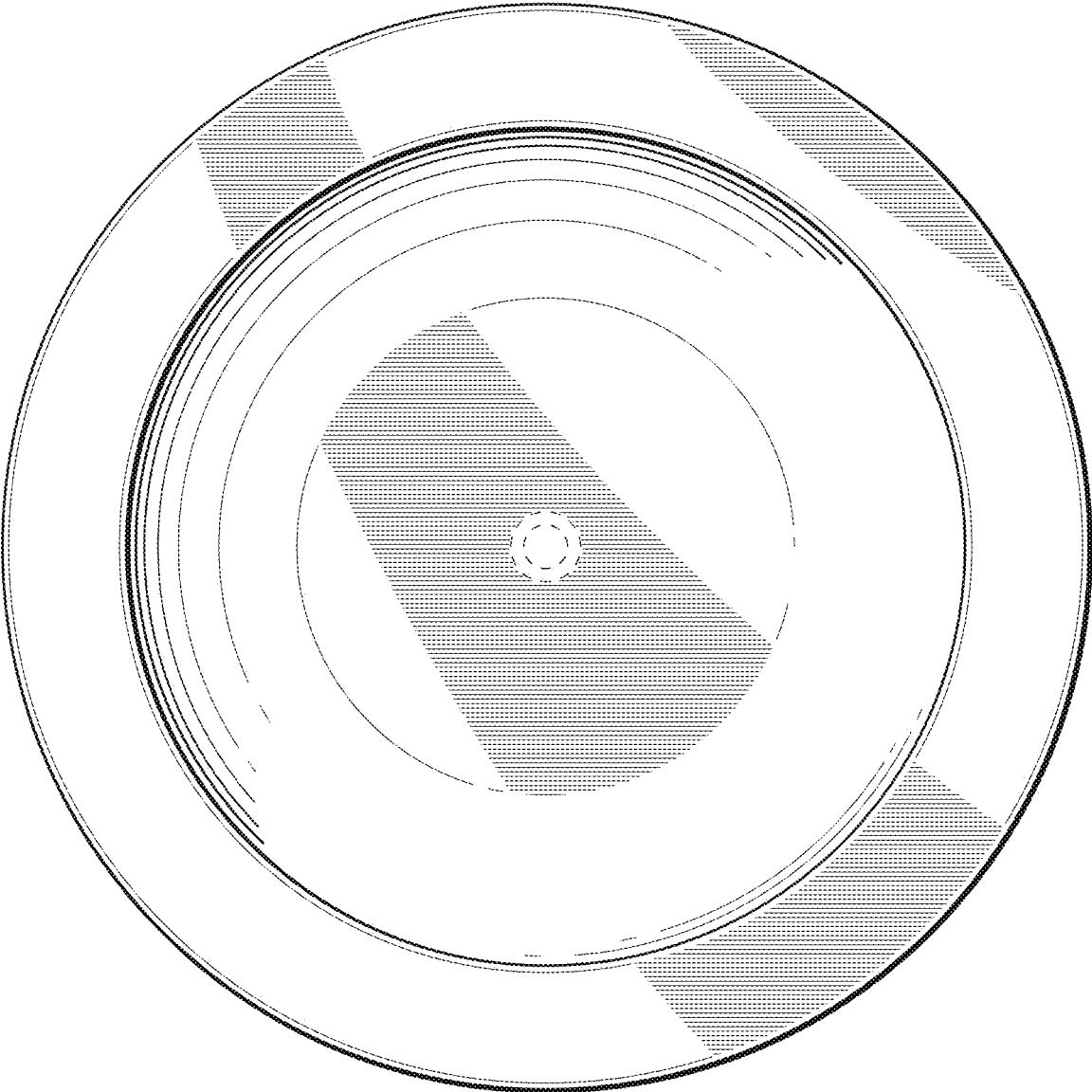


FIG. 4

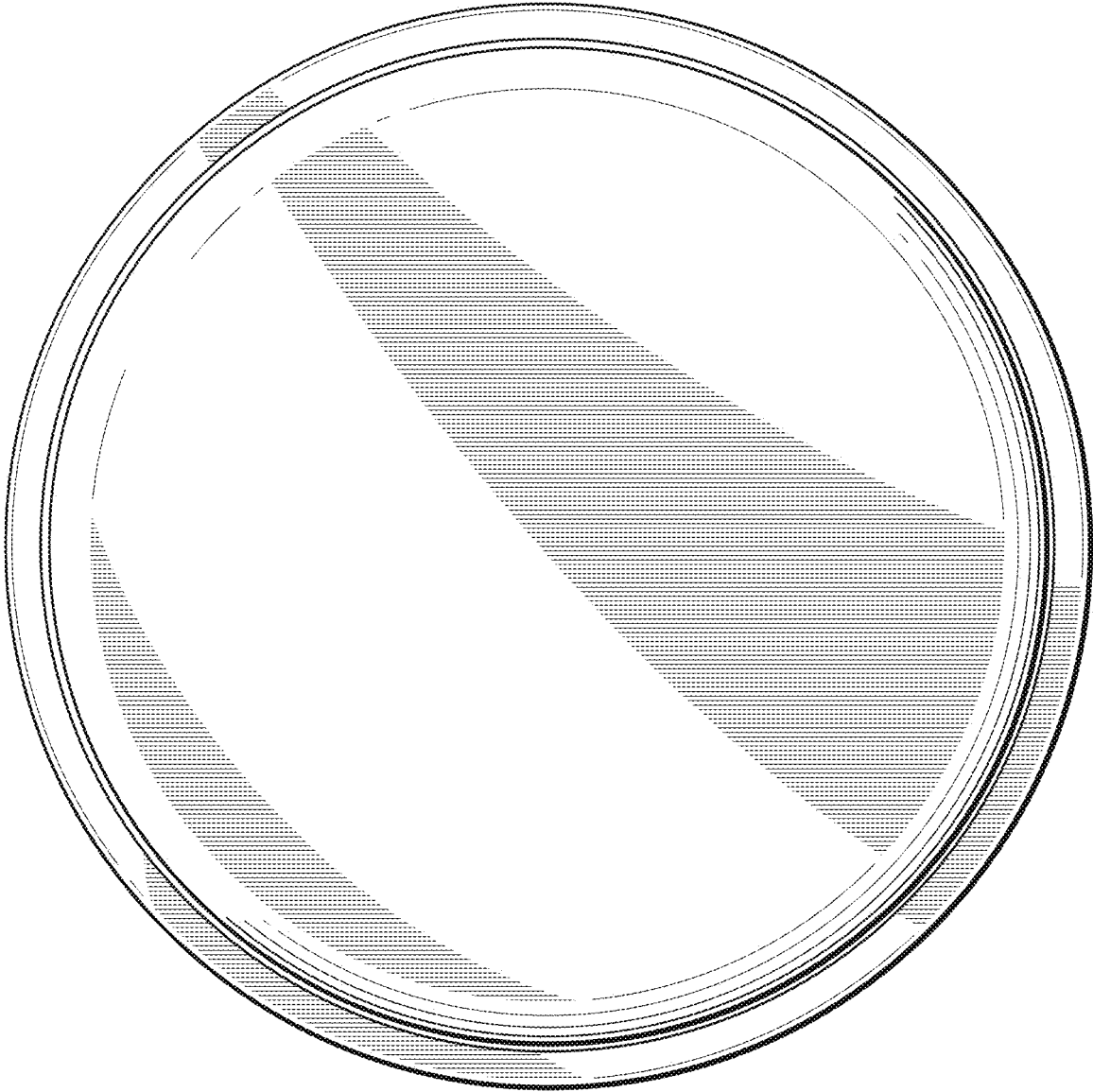


FIG. 5

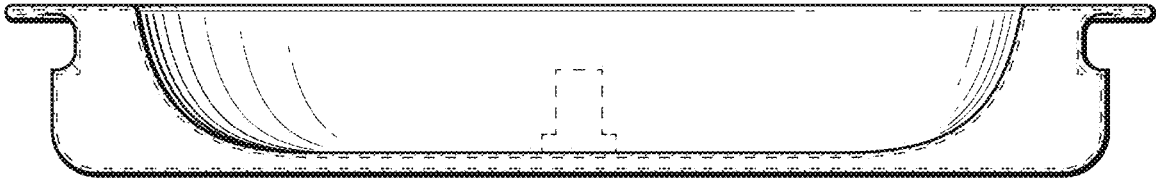


FIG. 6

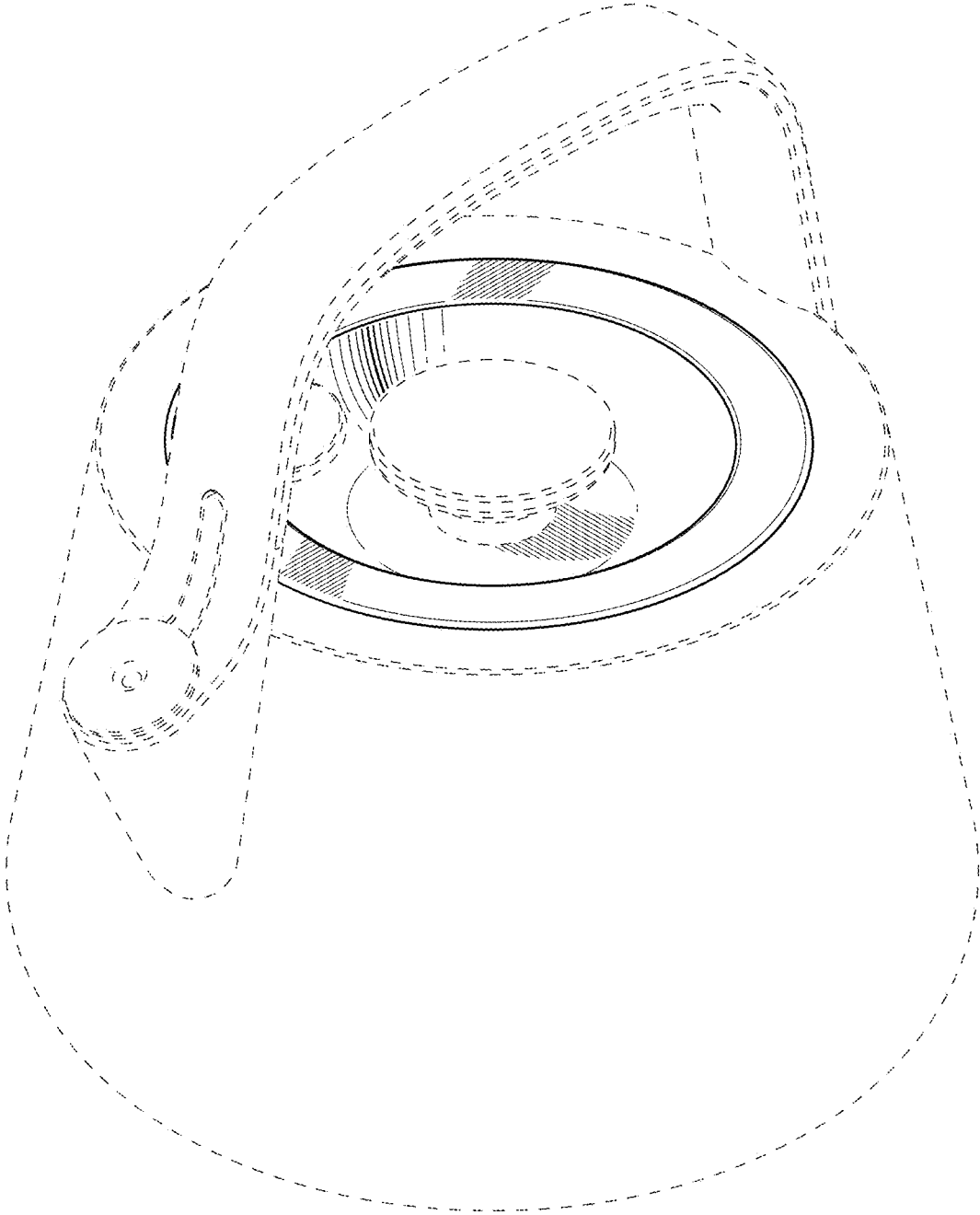


FIG. 7

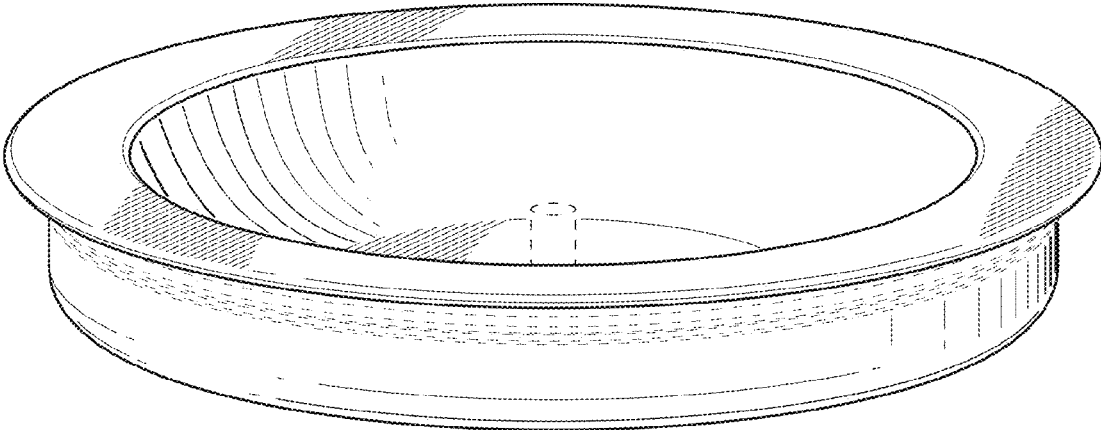


FIG. 8

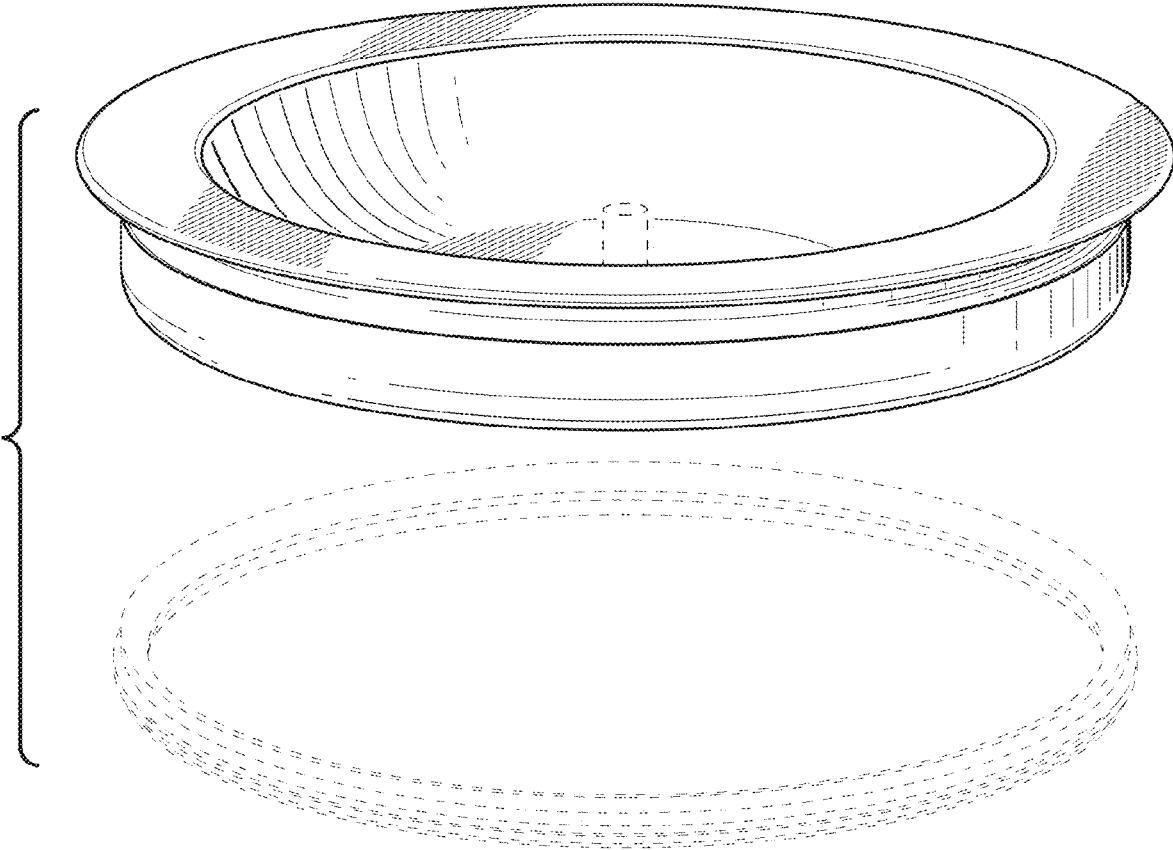


FIG. 9