



US00D622363S

(12) **United States Design Patent**
Zierler

(10) **Patent No.:** **US D622,363 S**

(45) **Date of Patent:** **** Aug. 24, 2010**

(54) **WALK-IN BATHTUB**

(75) Inventor: **Wolfgang Zierler**, Bad Ischl (AT)

(73) Assignee: **Artweger GmbH & Co.**, Bad Ischl (AT)

(**) Term: **14 Years**

(21) Appl. No.: **29/347,001**

(22) Filed: **Aug. 21, 2009**

(30) **Foreign Application Priority Data**

Feb. 25, 2009 (EM) 001095012

(51) **LOC (9) Cl.** **23-02**

(52) **U.S. Cl.** **D23/279**

(58) **Field of Classification Search** D23/277,
D23/279-280.3, 283, 304-305; 4/538, 557-558;
D24/204-205

See application file for complete search history.

(56) **References Cited**

U.S. PATENT DOCUMENTS

- D250,895 S * 1/1979 Laver D23/280.1
- D253,125 S * 10/1979 Primault D23/280.4
- D300,556 S * 4/1989 Delepine D23/280.1
- D324,263 S * 2/1992 Kohler et al. D23/280.1
- D324,729 S * 3/1992 Yvetot D23/280.1

- 5,642,959 A * 7/1997 Greferath 403/388
- 6,226,808 B1 * 5/2001 Walshe 4/557
- 6,895,609 B2 * 5/2005 Ingram et al. 4/538
- D511,567 S * 11/2005 Beahn D23/279
- D573,700 S * 7/2008 Clarke D23/279

* cited by examiner

Primary Examiner—Robert A Delehanty

(74) *Attorney, Agent, or Firm*—Dykema Gossett PLLC

(57) **CLAIM**

The ornamental design for a walk-in bathtub, as shown and described.

DESCRIPTION

FIG. 1 is a perspective view of a walk-in bathtub according to my ornamental design,

FIG. 2 is a perspective view of the tub tray thereof,

FIG. 3 is a top plan view of the tub tray,

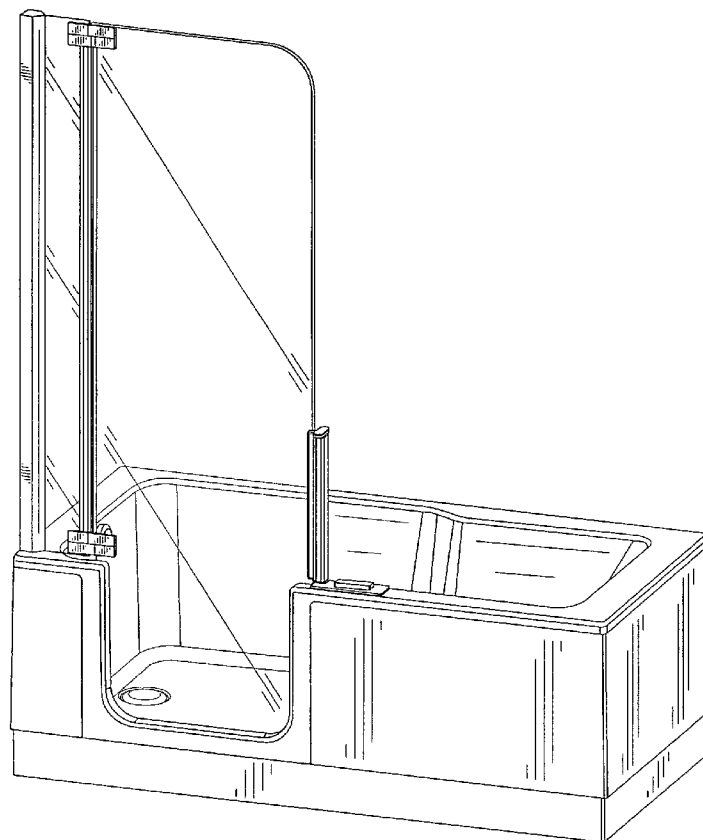
FIG. 4 is a perspective view of the door thereof,

FIG. 5 is a partly exploded perspective view of the door,

FIG. 6 is an enlarged perspective view of the door locking device thereof; and,

FIG. 7 is an exploded perspective view of the locking device.

1 Claim, 5 Drawing Sheets



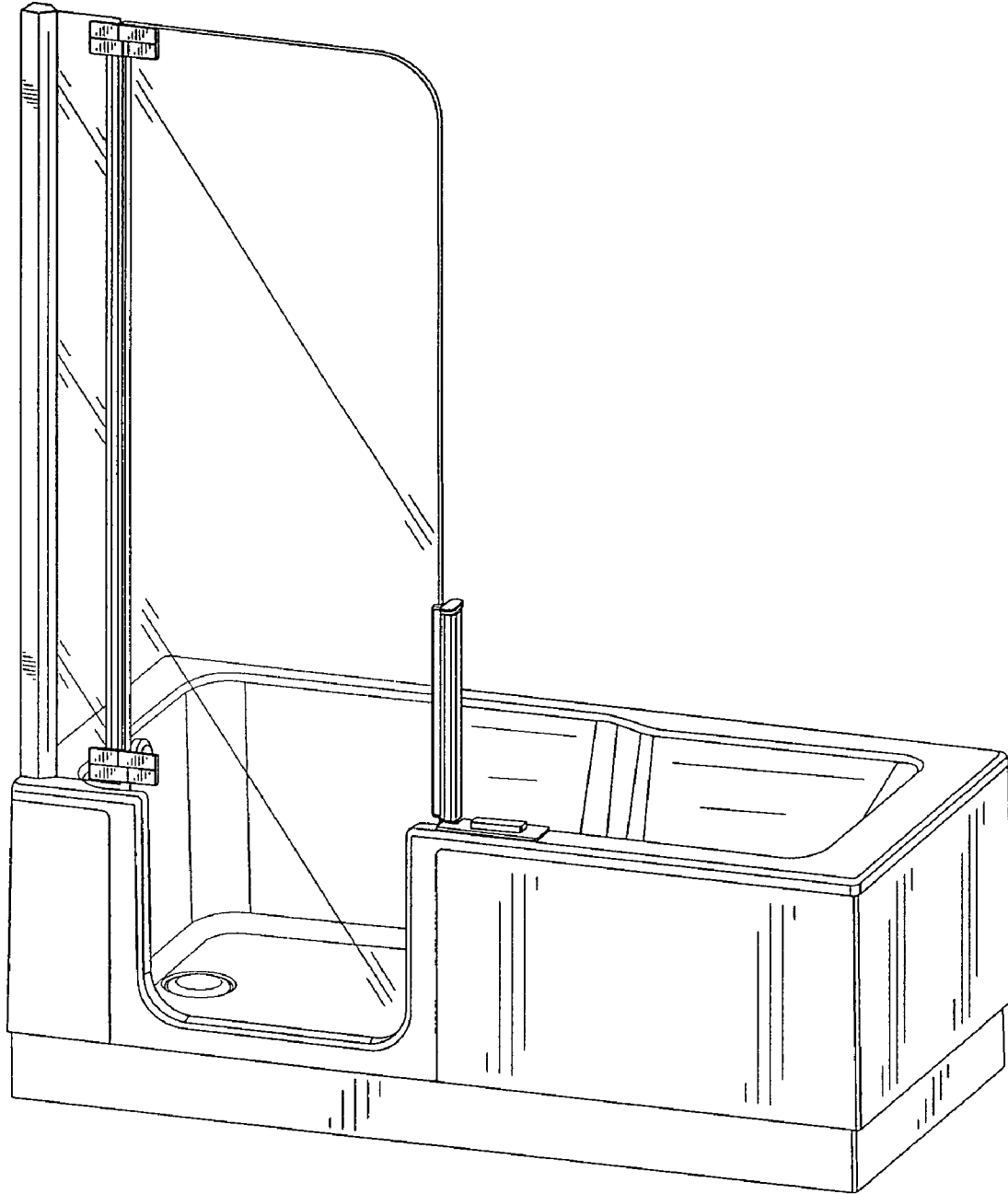


FIG. 1

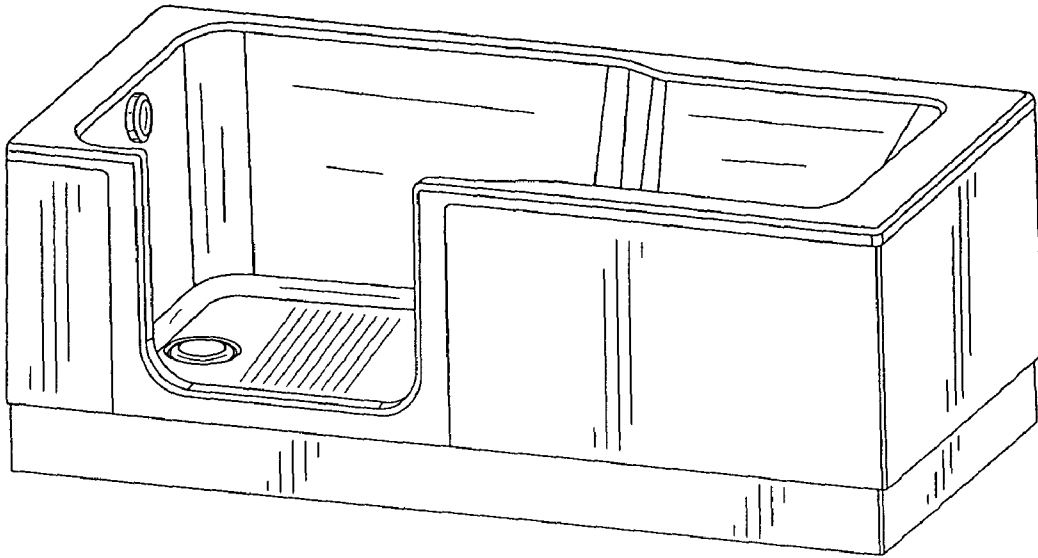


FIG. 2

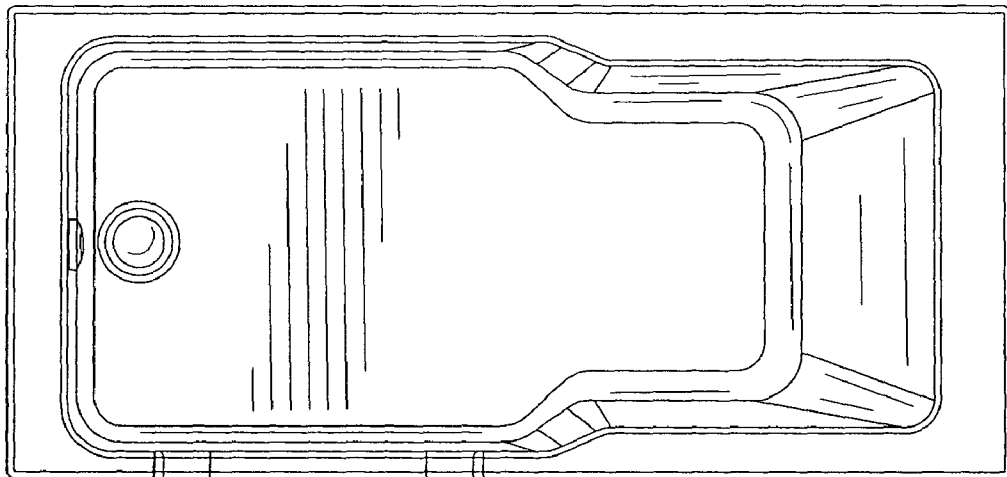


FIG. 3

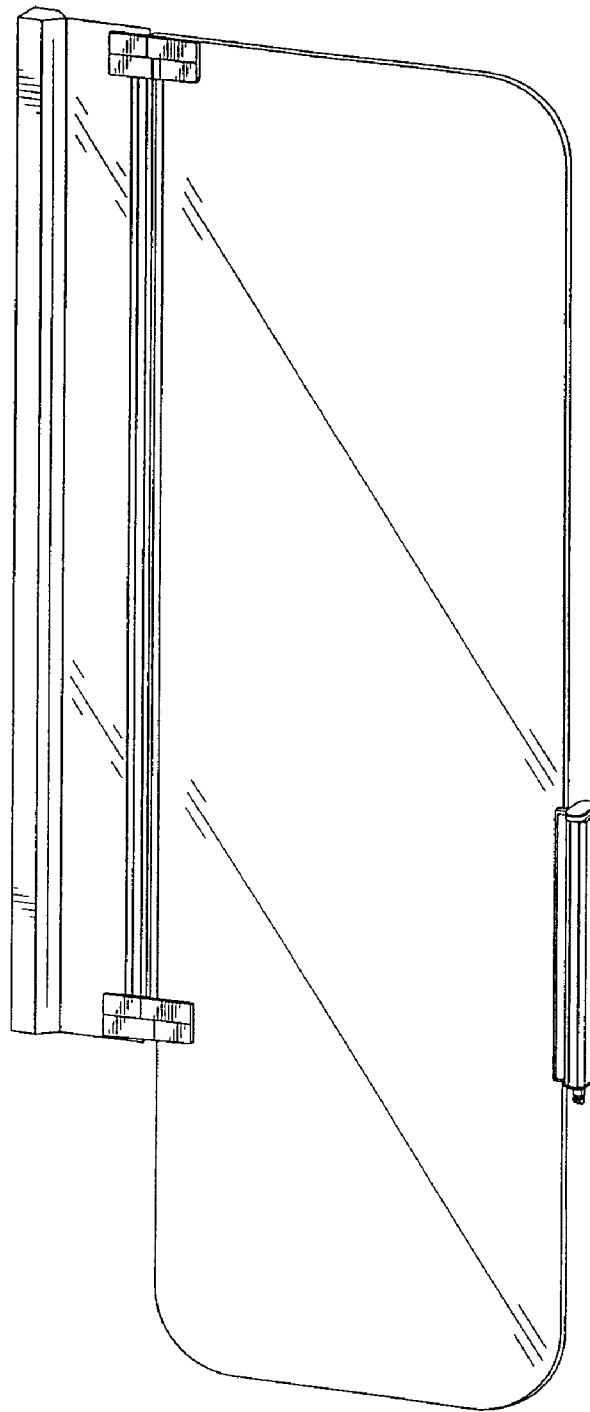


FIG. 4

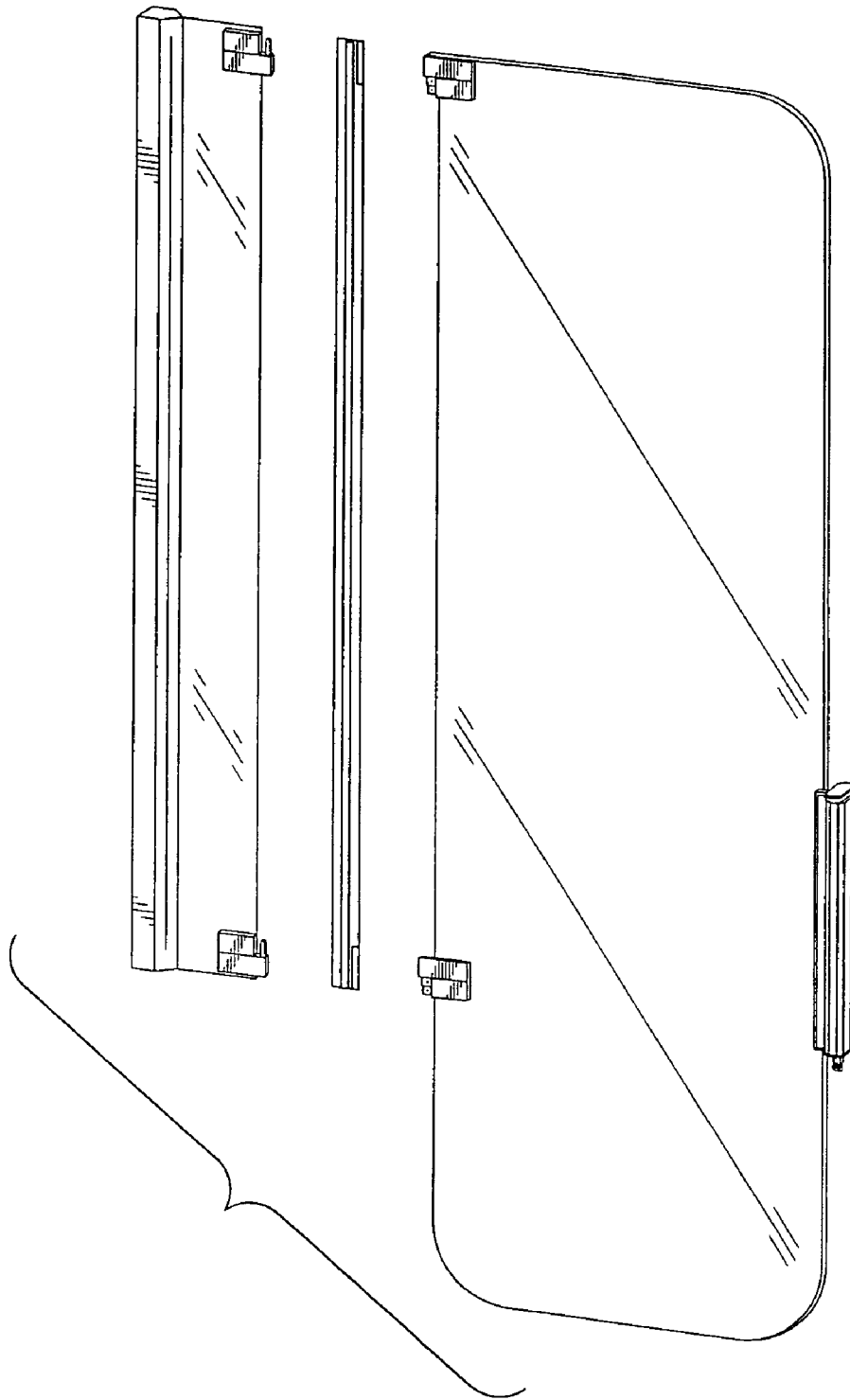


FIG. 5

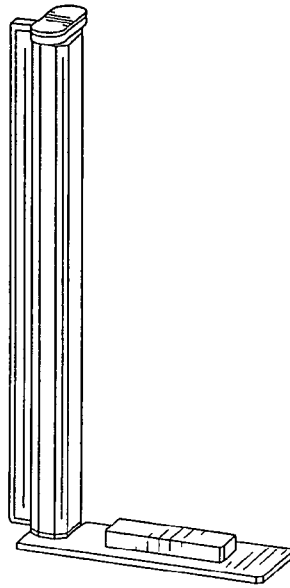


FIG. 6

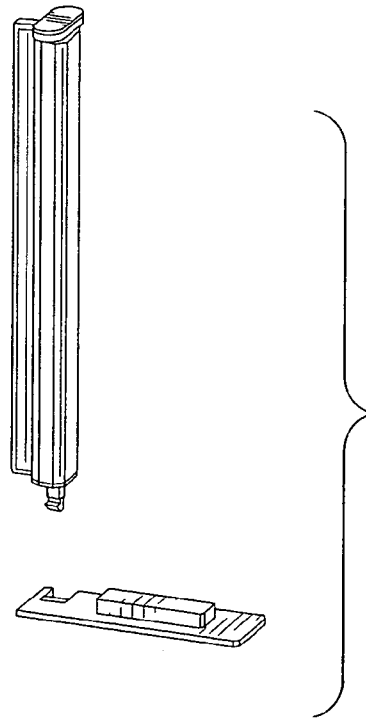


FIG. 7



US00D622363C1

(12) **EX PARTE REEXAMINATION CERTIFICATE** (23rd)
Ex Parte Reexamination Ordered under 35 U.S.C. 257

United States Patent
Zierler

(10) **Number:** **US D622,363 C1**
(45) **Certificate Issued:** **Feb. 5, 2015**

(54) **WALK-IN BATHTUB**

(75) **Inventor:** **Wolfgang Zierler, Bad Ischl (AT)**

(73) **Assignee:** **Artweger GmbH & Co., Bad Ischl (AT)**

Supplemental Examination Request:
No. 96/030,010, Jun. 5, 2014

Reexamination Certificate for:
Patent No.: **Des. 622,363**
Issued: **Aug. 24, 2010**
Appl. No.: **29/347,001**
Filed: **Aug. 21, 2009**

(30) **Foreign Application Priority Data**

Feb. 25, 2009 (EM) 001095012

(51) **LOC (10) CI.** **23-02**

(52) **U.S. Cl.**
USPC **D23/279**

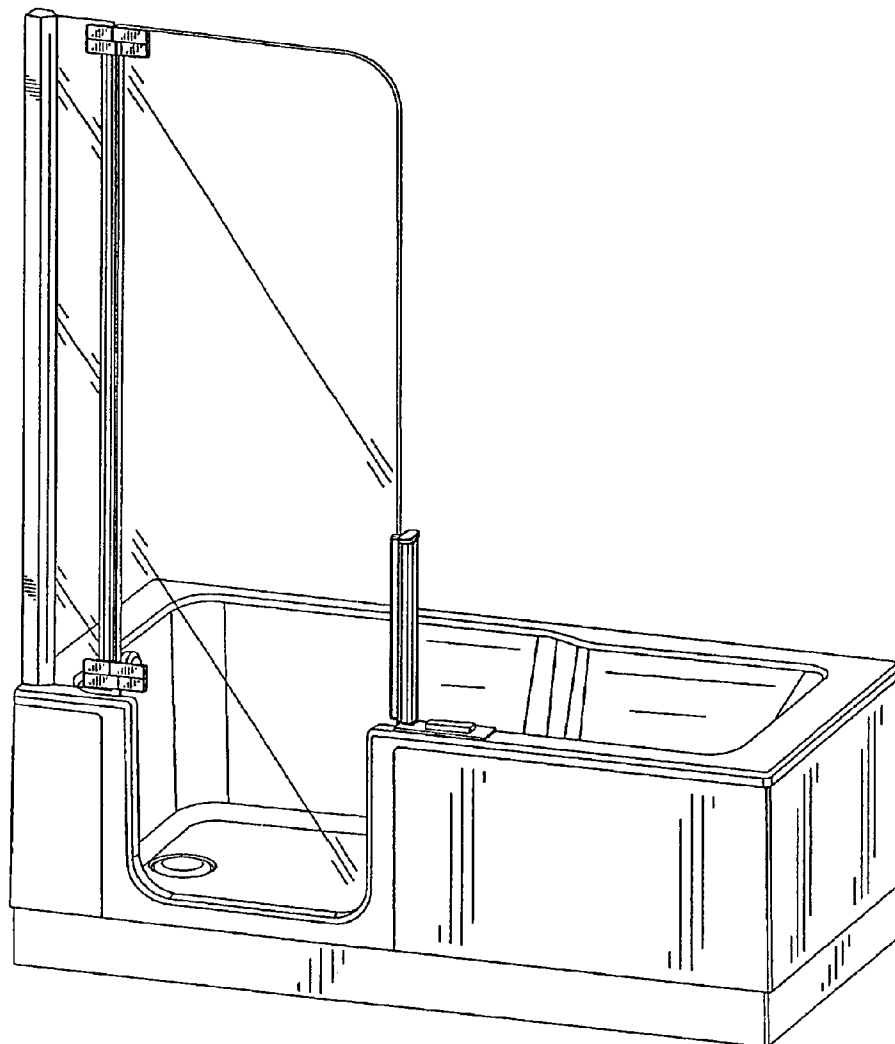
(58) **Field of Classification Search**
USPC D23/277, 278, 279, 280.1, 280.3;
D24/204, 205; 4/538, 555, 556, 557,
4/558, 559

See application file for complete search history.

(56) **References Cited**

To view the complete listing of prior art documents cited during the supplemental examination proceeding and the resulting reexamination proceeding for Control Number 96/030,010, please refer to the USPTO's public Patent Application Information Retrieval (PAIR) system under the Display References tab.

Primary Examiner — Phillip S Hyder



1
EX PARTE
REEXAMINATION CERTIFICATE
ISSUED UNDER 35 U.S.C. 307

5

NO AMENDMENTS HAVE BEEN MADE TO
THE PATENT

AS A RESULT OF REEXAMINATION, IT HAS BEEN
DETERMINED THAT:

10

The patentability of claim 1 is confirmed.

* * * * *