



(12) **United States Design Patent**
Haller

(10) **Patent No.:** **US D837,800 S**
(45) **Date of Patent:** **** Jan. 8, 2019**

(54) **DISPLAY STAND**

(56) **References Cited**

(71) Applicant: **ELO TOUCH SOLUTIONS, INC.,**
Milpitas, CA (US)

U.S. PATENT DOCUMENTS

(72) Inventor: **Jeffrey T. Haller,** Redwood City, CA
(US)

D277,662	S	*	2/1985	Huntington	D13/107
D535,615	S	*	1/2007	Iwai	D13/108
D605,588	S	*	12/2009	Nomi	D13/108
D613,684	S	*	4/2010	Nishizawa	D13/108
D631,481	S	*	1/2011	Floersch	D14/451
D647,898	S	*	11/2011	Haller	D14/336
D688,673	S	*	8/2013	Haller	D14/451
D725,182	S		3/2015	Haller et al.		
D760,845	S	*	7/2016	Plakas	D14/451
D778,277	S		2/2017	Haller et al.		
D782,975	S	*	4/2017	Chen	D13/108
D792,413	S	*	7/2017	Floersch	D14/447

(73) Assignee: **ELO TOUCH SOLUTIONS, INC.,**
Milpitas, CA (US)

(**) Term: **15 Years**

(21) Appl. No.: **29/583,140**

(Continued)

(22) Filed: **Nov. 2, 2016**

Primary Examiner — Katie Jane Stofko

(51) **LOC (11) Cl.** **14-02**

(74) *Attorney, Agent, or Firm* — Sterne, Kessler,
Goldstein & Fox P.L.L.C.

(52) **U.S. Cl.**
USPC **D14/451**

(58) **Field of Classification Search**
USPC D14/371-382, 125-129, 335-337,
D14/447-452, 492, 239, 457, 439-441,
D14/432, 251-253; D8/349, 354, 363,
D8/373, 376, 380; 348/180, 184, 325,
348/739, 825; D12/407, 415; D3/218;
341/12

(57) **CLAIM**

The ornamental design for a display stand, as shown and described.

CPC G06F 3/0412; G06F 3/016; G06F 3/0488;
G06F 3/011; G06F 3/038; G06F 3/03543;
G06F 3/0338; G06F 3/0202; G06F
3/0219; G06F 3/0213; G06F 1/1616;
G06F 3/023; G06F 3/04883; G02F
1/13338; G02F 1/1313; G02F 1/1333;
G02F 1/135; G02F 1/132; G02F
1/133308; G02F 1/134309; G02F
1/13718; G09G 3/3648; G06K 15/1252;
B41J 2/465; G03F 7/70291; G02B
27/0172; G02B 5/30; G02B 2027/0118;
G02B 27/0101; F16M 13/02; F16M
13/00; F16M 11/10; F16M 11/04; F16M
2200/08; F16M 11/2021; A47B 21/0314;
A47B 88/044; A47B 2021/0335; H02G
3/126; F16B 47/00; F16B 47/006; A47G
1/17; A47K 2201/00

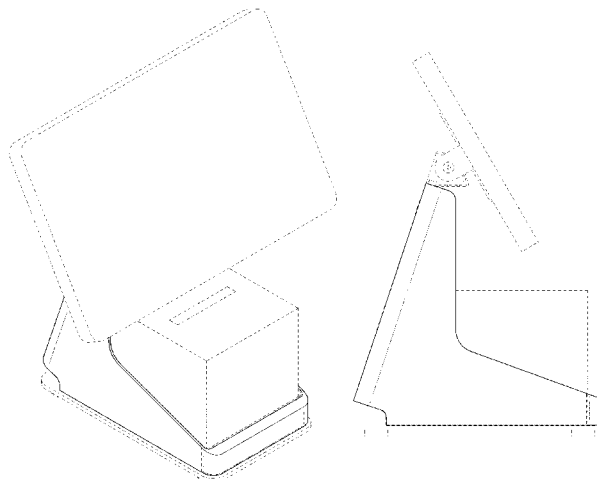
DESCRIPTION

FIG. 1 is a top front perspective view of a display stand showing the claimed design; FIG. 2 is a front view thereof; FIG. 3 is a rear view thereof; FIG. 4 is a left side view thereof; FIG. 5 is a right side view thereof; FIG. 6 is a top view thereof; and, FIG. 7 is a bottom view thereof.

The evenly-spaced broken lines in FIGS. 1-7 illustrate portions of the display stand that form no part of the claimed design. The dash-dot-dash broken lines in the drawings illustrate boundaries of the claimed design, which form no part thereof.

See application file for complete search history.

1 Claim, 7 Drawing Sheets



(56)

References Cited

U.S. PATENT DOCUMENTS

D806,159 S *	12/2017	Haller	D18/4.5
D810,014 S *	2/2018	Haranaka	D13/108
D813,850 S *	3/2018	Young, III	D14/224

* cited by examiner

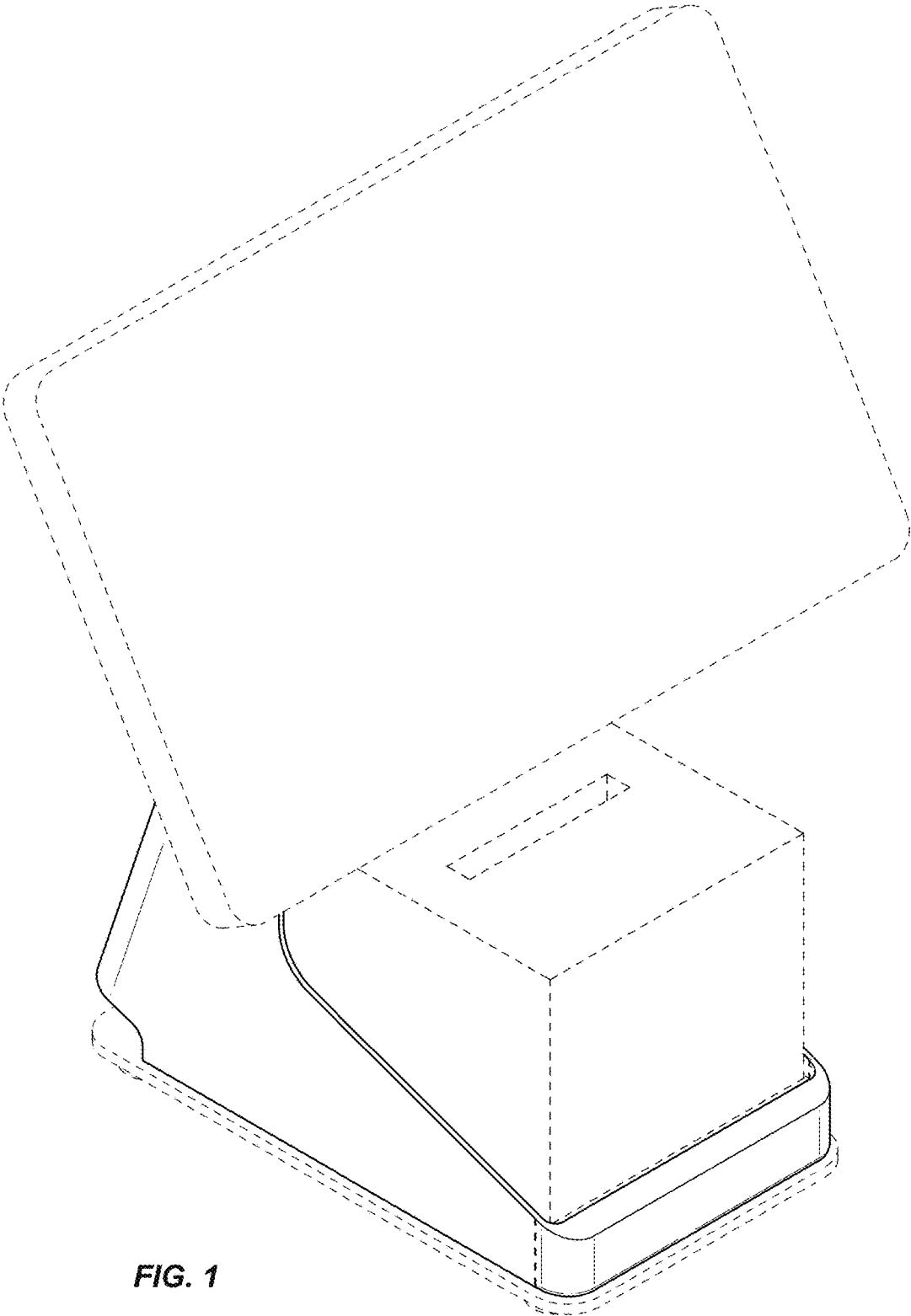


FIG. 1

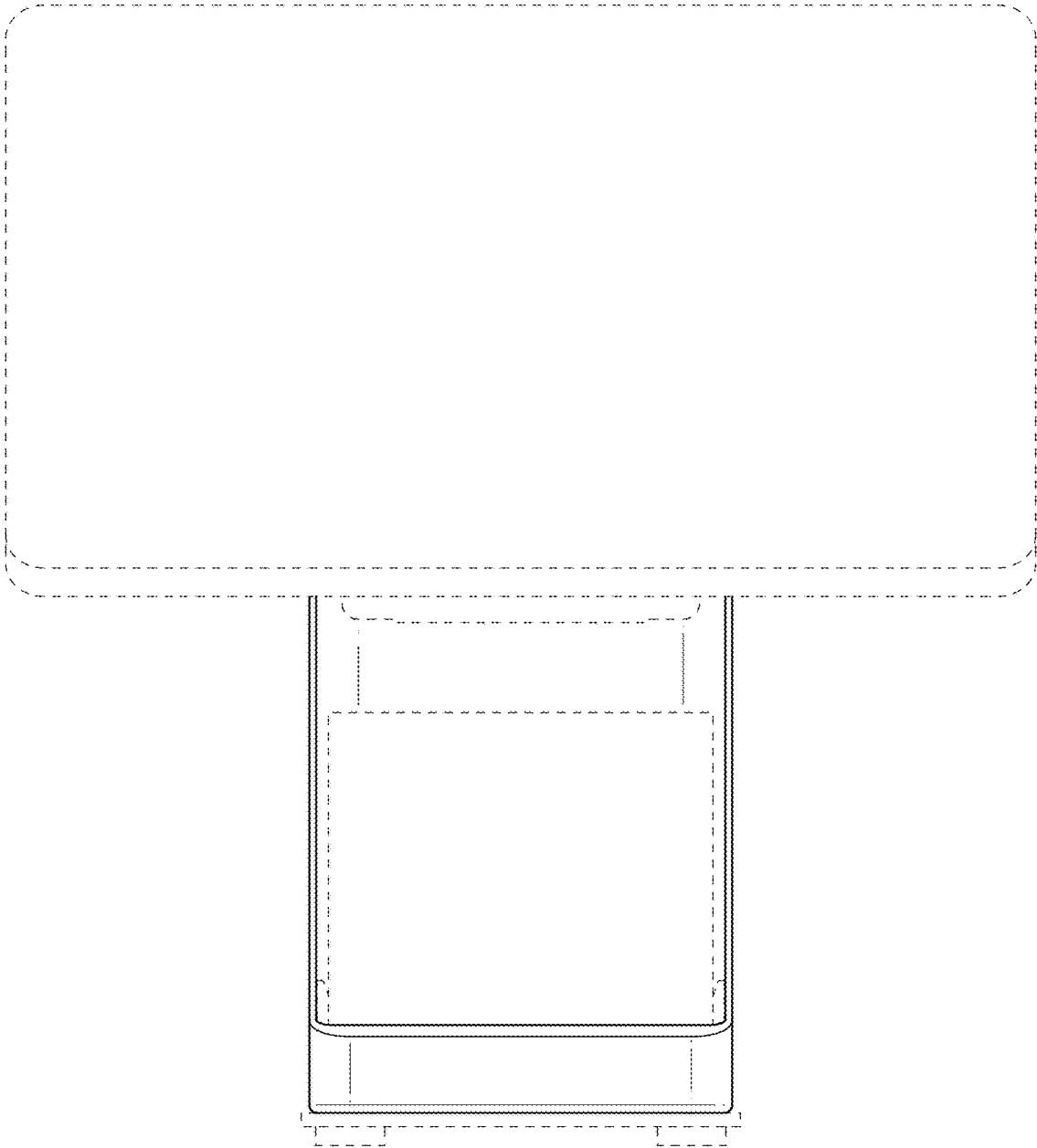


FIG. 2

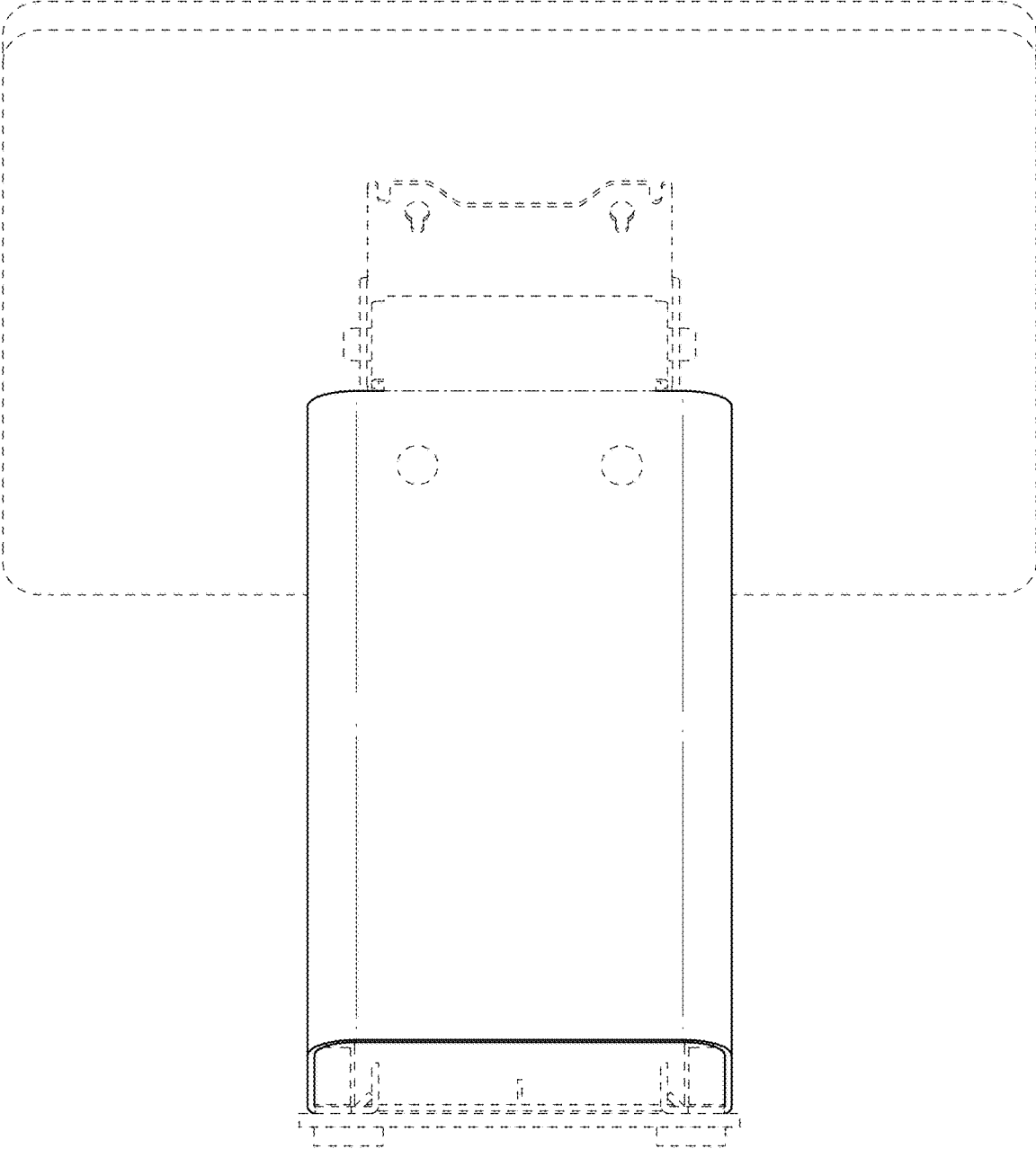


FIG. 3

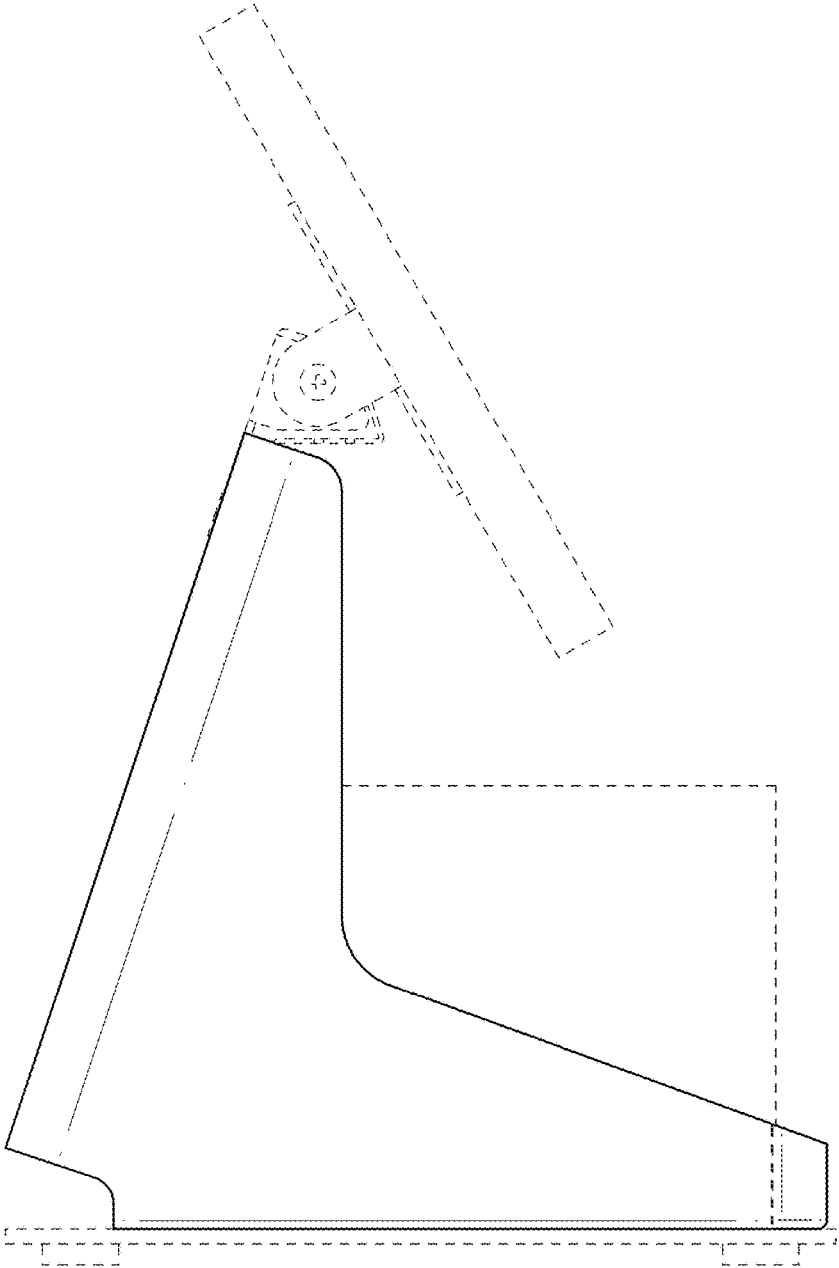


FIG. 4

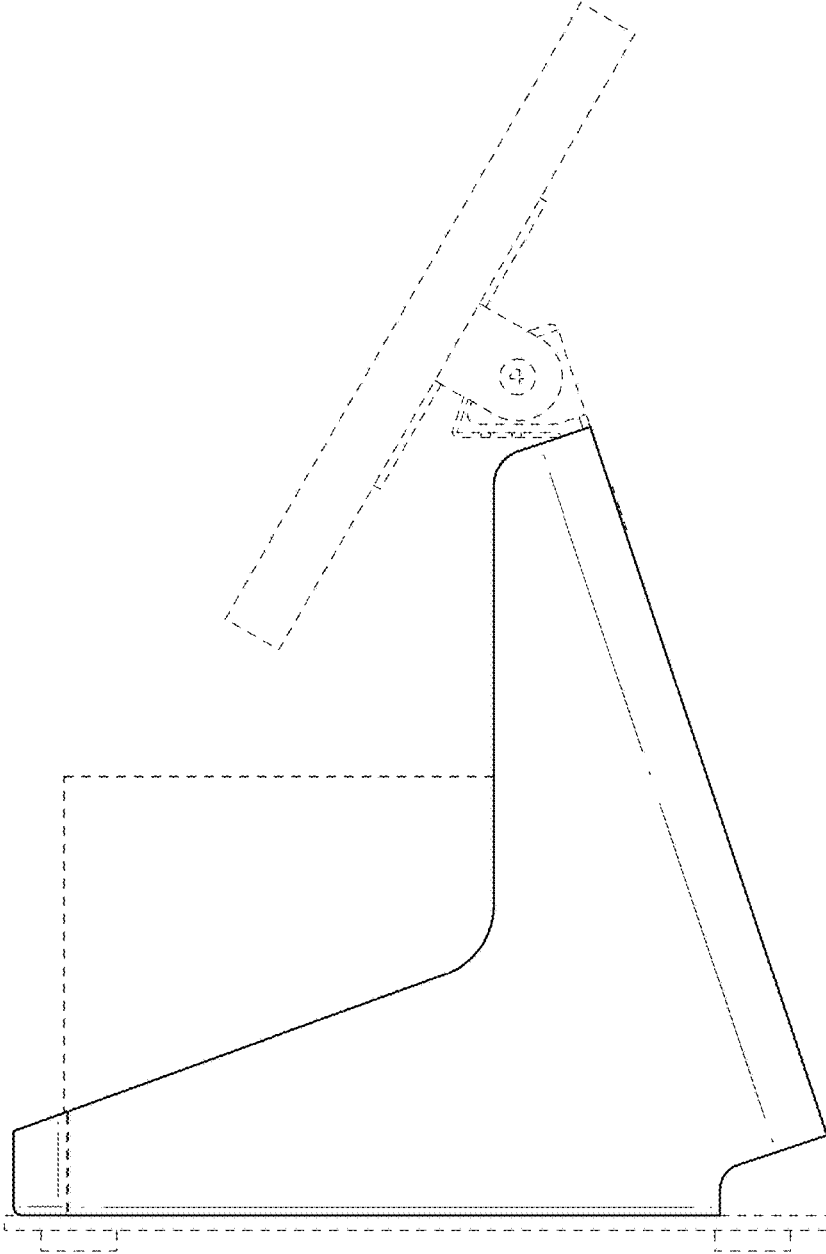


FIG. 5

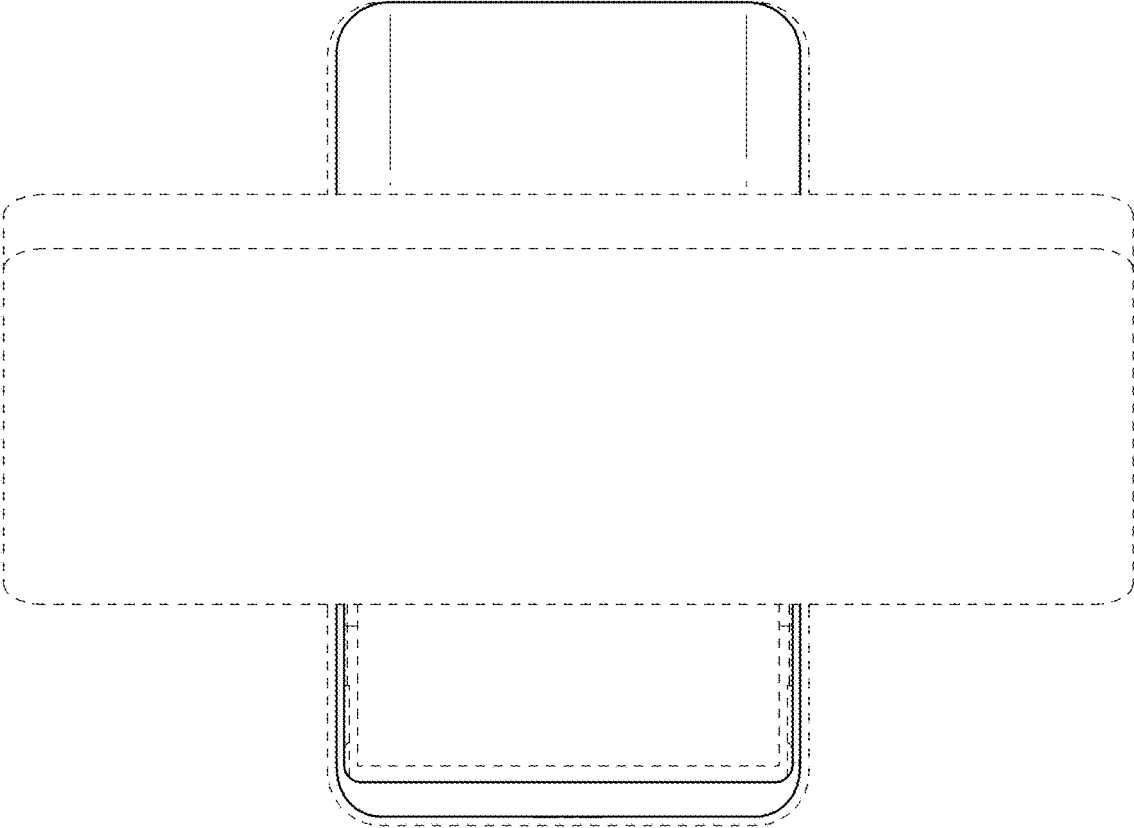


FIG. 6

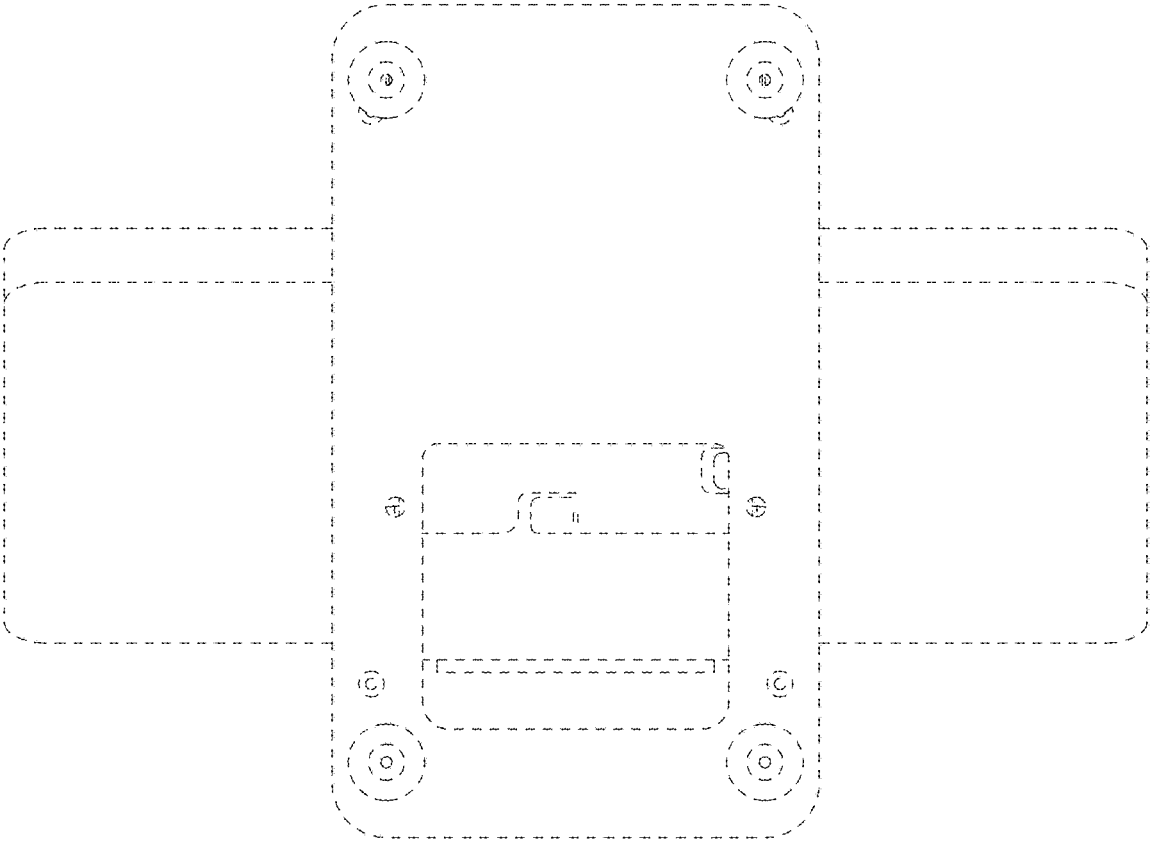


FIG. 7