

(12) INTERNATIONAL APPLICATION PUBLISHED UNDER THE PATENT COOPERATION TREATY (PCT)

(19) World Intellectual Property Organization
International Bureau



(43) International Publication Date
20 February 2003 (20.02.2003)

PCT

(10) International Publication Number
WO 03/013870 A3

(51) International Patent Classification⁷: G09F 7/16,
B42D 15/00, 15/02, B44F 1/10

(21) International Application Number: PCT/US02/23753

(22) International Filing Date: 26 July 2002 (26.07.2002)

(25) Filing Language: English

(26) Publication Language: English

(30) Priority Data:
60/309,175 2 August 2001 (02.08.2001) US

(71) Applicant and

(72) Inventor: WICKER, Thomas, M. [US/US]; 5908 Stone Hill Road, Lakeville, NY 14480 (US).

(74) Agent: ROACH, Laurence, S.; Jaeckle Fleischmann & Mugel, LLP, 39 State Street, Rochester, NY 14614-1310 (US).

(81) Designated States (national): AE, AG, AL, AM, AT, AU, AZ, BA, BB, BG, BR, BY, BZ, CA, CH, CN, CO, CR, CU,

CZ, DE, DK, DM, DZ, EC, EE, ES, FI, GB, GD, GE, GH, GM, HR, HU, ID, IL, IN, IS, JP, KE, KG, KP, KR, KZ, LC, LK, LR, LS, LT, LU, LV, MA, MD, MG, MK, MN, MW, MX, MZ, NO, NZ, OM, PH, PL, PT, RO, RU, SD, SE, SG, SI, SK, SL, TJ, TM, TN, TR, TT, TZ, UA, UG, UZ, VN, YU, ZA, ZM, ZW.

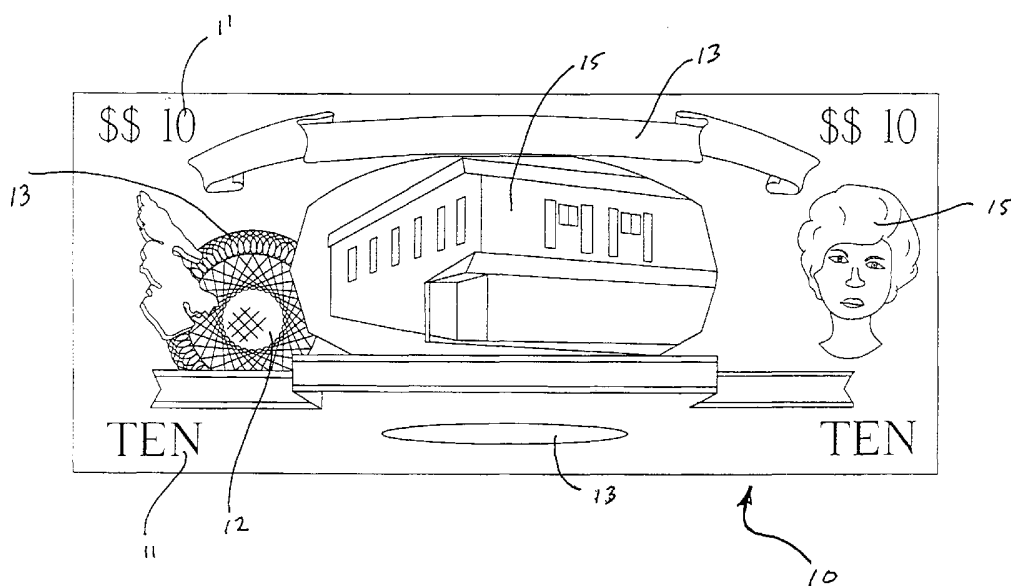
(84) Designated States (regional): ARIPO patent (GH, GM, KE, LS, MW, MZ, SD, SL, SZ, TZ, UG, ZM, ZW), Eurasian patent (AM, AZ, BY, KG, KZ, MD, RU, TJ, TM), European patent (AT, BE, BG, CH, CY, CZ, DE, DK, EE, ES, FI, FR, GB, GR, IE, IT, LU, MC, NL, PT, SE, SK, TR), OAPI patent (BF, BJ, CF, CG, CI, CM, GA, GN, GQ, GW, ML, MR, NE, SN, TD, TG).

Published:
— with international search report

(88) Date of publication of the international search report:
4 December 2003

For two-letter codes and other abbreviations, refer to the "Guidance Notes on Codes and Abbreviations" appearing at the beginning of each regular issue of the PCT Gazette.

(54) Title: SECURITY DOCUMENTS AND A AUTHENTICATING SUCH DOCUMENTS



(57) Abstract: A security document and a method of making and authenticating the document in which the document (10) contains a security feature (11, 13, 15) of an image/background pattern printed in one subtractive color (20) on the document and at least one other but different image/background pattern (24) printed in another subtractive color (30) superimposed directly over the one image/background pattern (34).



WO 03/013870 A3

INTERNATIONAL SEARCH REPORT

International application No.

PCT/US02/23753

A. CLASSIFICATION OF SUBJECT MATTER

IPC(7) : G09F 7/16; B42D 15/00, 15/02; B44F 1/10;
 US CL : 283/67, 74, 85, 91, 901; 428/29, 156, 167, 916

According to International Patent Classification (IPC) or to both national classification and IPC

B. FIELDS SEARCHED

Minimum documentation searched (classification system followed by classification symbols)
 U.S. : 283/67, 74, 85, 91, 901; 428/29, 156, 167, 916

Documentation searched other than minimum documentation to the extent that such documents are included in the fields searched

Electronic data base consulted during the international search (name of data base and, where practicable, search terms used)

C. DOCUMENTS CONSIDERED TO BE RELEVANT

Category *	Citation of document, with indication, where appropriate, of the relevant passages	Relevant to claim No.
Y	US 6,222,650 B1 (LONG) 24 April 2001, See Fig. 9	1-21
Y	US 5,974,150 A (KAISH et al) 26 October 1999, See Fig. 2 and 3	17-21
Y	4,715,623 A (ROULE et al) 29 December 1987, See Fig. 1, 18-20	1-21
Y	US 5,487,567 A (VOLPE) 30 January 1996, See Fig. 3-5	1-21
Y	US 4,588,212 A (CASTAGNOLI) 13 May 1986, See Fig. 1 and 2	1-21
Y	US 4,033,059 A (HUTTON et al) 05 July 1977, See Fig. 5-8	1-21
Y	US 5,722,693 A (WICKER) 03 March 1998, See Fig. 7-12	1-21

Further documents are listed in the continuation of Box C.

See patent family annex.

* Special categories of cited documents:	"T" later document published after the international filing date or priority date and not in conflict with the application but cited to understand the principle or theory underlying the invention
"A" document defining the general state of the art which is not considered to be of particular relevance	"X" document of particular relevance; the claimed invention cannot be considered novel or cannot be considered to involve an inventive step when the document is taken alone
"E" earlier application or patent published on or after the international filing date	"Y" document of particular relevance; the claimed invention cannot be considered to involve an inventive step when the document is combined with one or more other such documents, such combination being obvious to a person skilled in the art
"L" document which may throw doubts on priority claim(s) or which is cited to establish the publication date of another citation or other special reason (as specified)	"&" document member of the same patent family
"O" document referring to an oral disclosure, use, exhibition or other means	
"P" document published prior to the international filing date but later than the priority date claimed	

Date of the actual completion of the international search

28 October 2002 (28.10.2002)

Date of mailing of the international search report

20 NOV 2002

Name and mailing address of the ISA/US
 Commissioner of Patents and Trademarks
 Box PCT
 Washington, D.C. 20231

Facsimile No. (703)305-3230

Authorized officer

Mark T. Henderson

Telephone No. 703-305-0189

Sheela Seney
 Paralegal Specialist
 Group 3700