



US00RE49513E

(19) **United States**  
(12) **Reissued Patent**  
**Henniger**

(10) **Patent Number:** **US RE49,513 E**  
(45) **Date of Reissued Patent:** **May 2, 2023**

- (54) **BARBELL**
- (71) Applicant: **Coulter Ventures, LLC.**, Columbus, OH (US)
- (72) Inventor: **William Henniger**, Columbus, OH (US)
- (73) Assignee: **Coulter Ventures, LLC.**, Columbus, OH (US)
- (21) Appl. No.: **29/817,674**
- (22) Filed: **Dec. 2, 2021**

*Primary Examiner* — Philip S Hyder  
(74) *Attorney, Agent, or Firm* — Banner & Witcoff, Ltd.

(57) **CLAIM**

The ornamental design for a barbell, as shown and described.

**DESCRIPTION**

This application is an application for reissue of U.S. Pat. No. D843,524, issued Mar. 19, 2019, which corresponds to U.S. patent application Ser. No. 29/605,895, the entire contents of which are incorporated herein by reference. Application '895 is a continuation of U.S. pat. app. Ser. No. 29/504,413, filed Oct. 6, 2014, entitled Barbell, the entire contents of which is hereby incorporated by reference.

[FIG. 1 of the drawings is a front perspective view of the barbell with an elastic band positioned in the channel showing, in particular, the ornamental design thereof;]  
 [FIG. 2 of the drawings is a back perspective view thereof;]  
 [FIG. 3 of the drawings is a front elevational view thereof;]  
 [FIG. 4 of the drawings is a back elevational view thereof;]  
 [FIG. 5 of the drawings is a top plan view thereof;]  
 [FIG. 6 of the drawings is a bottom plan view thereof;]  
 [FIG. 7 of the drawings is a cross-sectional view taken generally about lines 7-7 of FIG. 3;]  
 [FIG. 8 of the drawings is a front perspective view of the barbell with the elastic band removed from the channel;]  
 [FIG. 9 of the drawings is a back perspective view thereof with the elastic band removed from the channel;]  
 [FIG. 10 of the drawings is a front elevational view thereof with the elastic band removed from the channel;]  
 [FIG. 11 of the drawings is a back elevational view thereof with the elastic band removed from the channel; and]  
 [FIG. 12 of the drawings is a perspective view of the barbell having the elastic band positioned in the channel.]  
*FIG. 13 is a front perspective view of a barbell showing my new design with the barbell depicted in a first state showing removable elastic bands located in channels;*  
*FIG. 14 is an enlarged right side perspective detailed view thereof;*  
*FIG. 15 is an enlarged left side perspective detailed view thereof;*

**Related U.S. Patent Documents**

Reissue of:

- (64) Patent No.: **Des. 843,524**
- Issued: **Mar. 19, 2019**
- Appl. No.: **29/605,895**
- Filed: **May 31, 2017**

U.S. Applications:

- (63) Continuation of application No. 29/504,413, filed on Oct. 6, 2014, now abandoned.
- (51) **LOC (14) Cl.** ..... **21-02**
- (52) **U.S. Cl.** ..... **D21/694; D21/681**  
USPC ..... **D21/662; D21/681; D21/682; D21/684; D21/685; D21/686; D21/687; D21/688; D21/689; D21/690; D21/691; D21/692; D21/693; D21/694; D21/695; D21/696; D21/697; D21/698; D21/699; D21/700; D21/701; D21/702; D21/703; D21/704; D21/705; D21/706; D21/707; D21/708; D21/709; D21/710; D21/711; D21/712; D21/713; D21/714; D21/715; D21/716; D21/717; D21/718; D21/719; D21/720; D21/721; D21/722; D21/723; D21/724; D21/725; D21/726; D21/727; D21/728; D21/729; D21/730; D21/731; D21/732; D21/733; D21/734; D21/735; D21/736; D21/737; D21/738; D21/739; D21/740; D21/741; D21/742; D21/743; D21/744; D21/745; D21/746; D21/747; D21/748; D21/749; D21/750; D21/751; D21/752; D21/753; D21/754; D21/755; D21/756; D21/757; D21/758; D21/759; D21/760; D21/761; D21/762; D21/763; D21/764; D21/765; D21/766; D21/767; D21/768; D21/769; D21/770; D21/771; D21/772; D21/773; D21/774; D21/775; D21/776; D21/777; D21/778; D21/779; D21/780; D21/781; D21/782; D21/783; D21/784; D21/785; D21/786; D21/787; D21/788; D21/789; D21/790; D21/791; D21/792; D21/793; D21/794; D21/795; D21/796; D21/797; D21/798; D21/799; D21/800; D21/801; D21/802; D21/803; D21/804; D21/805; D21/806; D21/807; D21/808; D21/809; D21/810; D21/811; D21/812; D21/813; D21/814; D21/815; D21/816; D21/817; D21/818; D21/819; D21/820; D21/821; D21/822; D21/823; D21/824; D21/825; D21/826; D21/827; D21/828; D21/829; D21/830; D21/831; D21/832; D21/833; D21/834; D21/835; D21/836; D21/837; D21/838; D21/839; D21/840; D21/841; D21/842; D21/843; D21/844; D21/845; D21/846; D21/847; D21/848; D21/849; D21/850; D21/851; D21/852; D21/853; D21/854; D21/855; D21/856; D21/857; D21/858; D21/859; D21/860; D21/861; D21/862; D21/863; D21/864; D21/865; D21/866; D21/867; D21/868; D21/869; D21/870; D21/871; D21/872; D21/873; D21/874; D21/875; D21/876; D21/877; D21/878; D21/879; D21/880; D21/881; D21/882; D21/883; D21/884; D21/885; D21/886; D21/887; D21/888; D21/889; D21/890; D21/891; D21/892; D21/893; D21/894; D21/895; D21/896; D21/897; D21/898; D21/899; D21/900; D21/901; D21/902; D21/903; D21/904; D21/905; D21/906; D21/907; D21/908; D21/909; D21/910; D21/911; D21/912; D21/913; D21/914; D21/915; D21/916; D21/917; D21/918; D21/919; D21/920; D21/921; D21/922; D21/923; D21/924; D21/925; D21/926; D21/927; D21/928; D21/929; D21/930; D21/931; D21/932; D21/933; D21/934; D21/935; D21/936; D21/937; D21/938; D21/939; D21/940; D21/941; D21/942; D21/943; D21/944; D21/945; D21/946; D21/947; D21/948; D21/949; D21/950; D21/951; D21/952; D21/953; D21/954; D21/955; D21/956; D21/957; D21/958; D21/959; D21/960; D21/961; D21/962; D21/963; D21/964; D21/965; D21/966; D21/967; D21/968; D21/969; D21/970; D21/971; D21/972; D21/973; D21/974; D21/975; D21/976; D21/977; D21/978; D21/979; D21/980; D21/981; D21/982; D21/983; D21/984; D21/985; D21/986; D21/987; D21/988; D21/989; D21/990; D21/991; D21/992; D21/993; D21/994; D21/995; D21/996; D21/997; D21/998; D21/999; D21/1000**
- (58) **Field of Classification Search**  
USPC ..... **D21/662, 679, 680, 681, 682, 684, 694; D8/14, 107**

(Continued)

(56) **References Cited**

**U.S. PATENT DOCUMENTS**

- 3,062,369 A \* 11/1962 Guy ..... B65D 83/00  
206/525
- 3,477,285 A \* 11/1969 Bird ..... G01B 7/18  
174/135

(Continued)

**OTHER PUBLICATIONS**

The Rogue Bar 2.0 by Rogue dated Aug. 14, 2014. <https://www.roguefitness.com/the-rogue-bar-2-0>.

(Continued)

(Continued)

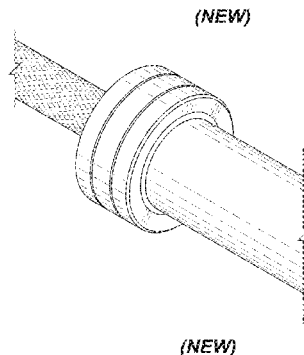


FIG. 16 is an enlarged front detailed view thereof;  
 FIG. 17 is another enlarged front detailed view thereof;  
 FIG. 18 is a left side elevational view thereof;  
 FIG. 19 is a right side elevational view thereof;  
 FIG. 20 is a cross-sectional view taken about line 20-20 of FIG. 16;  
 FIG. 21 is a front perspective view of the barbell of FIGS. 13-20 shown with the elastic bands removed from the channels;  
 FIG. 22 is an enlarged right-side perspective detailed view corresponding to FIG. 14 showing the elastic band removed from the channel;  
 FIG. 23 an enlarged left-side perspective detailed view corresponding to FIG. 15 showing the elastic band removed from the channel;  
 FIG. 24 is an enlarged front detailed view corresponding to FIG. 16 with the elastic band removed from the channel;  
 FIG. 25 is an enlarged front detailed view corresponding to FIG. 17 with the elastic band removed from the channel; and,  
 FIG. 26 is a left side perspective detailed view thereof.

**1 Claim, 24 Drawing Sheets**

**Matter enclosed in heavy brackets [ ] appears in the original patent but forms no part of this reissue; matter printed in italics indicates the additions made by reissue.**

(58) **Field of Classification Search**  
 CPC ..... A63B 21/0724; A63B 21/0726; A63B 21/0728; A63B 21/075  
 See application file for complete search history.

(56) **References Cited**

U.S. PATENT DOCUMENTS

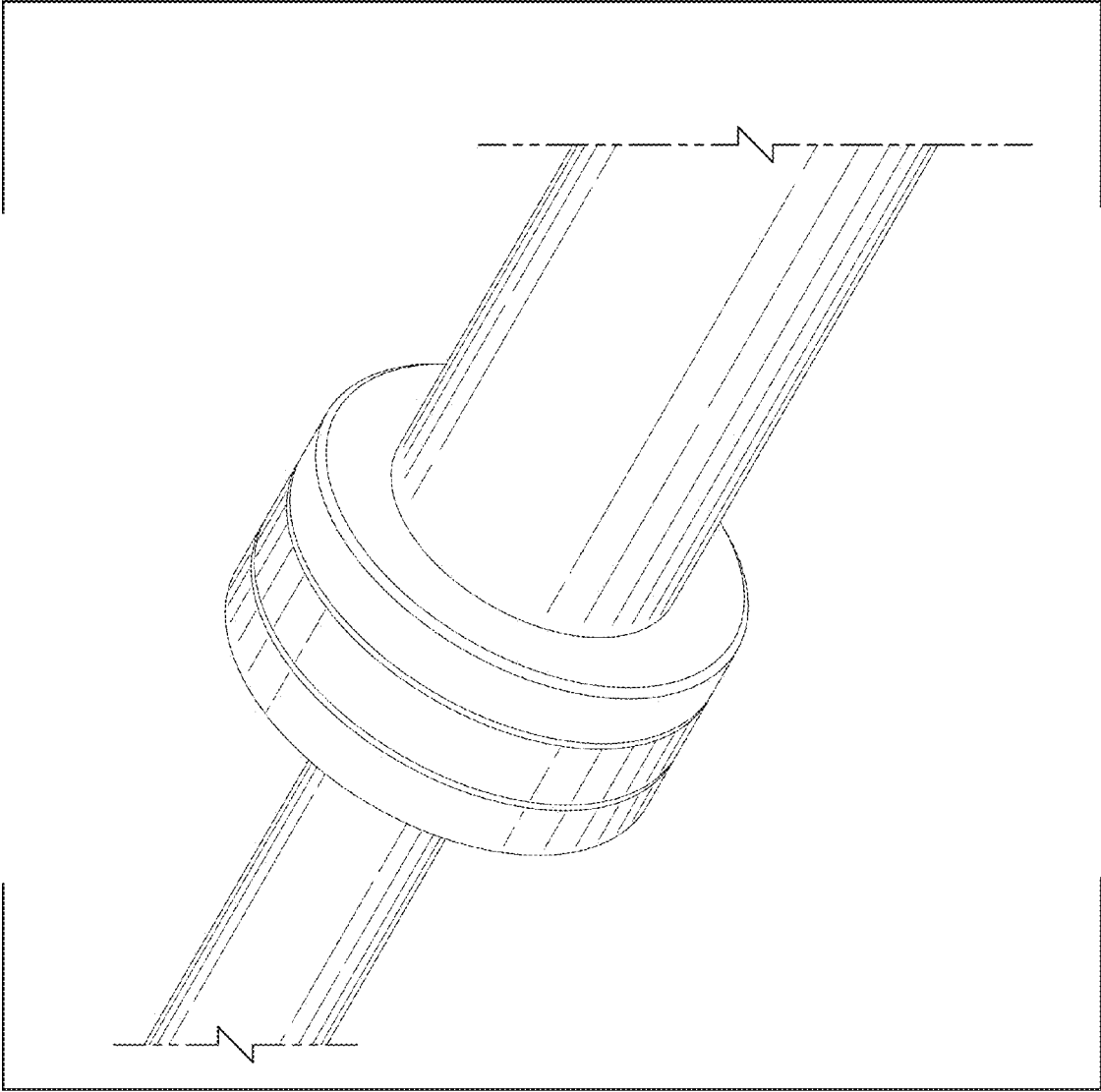
3,895,466 A \* 7/1975 Melton ..... F16L 55/11  
 137/800  
 4,274,323 A 6/1981 Resnicow  
 D264,680 S 6/1982 Widen  
 D303,494 S 9/1989 Lange  
 D303,742 S 10/1989 Reid  
 4,893,810 A 1/1990 Lee  
 D317,241 S 6/1991 Lent  
 D332,030 S \* 12/1992 Kauffman et al. .... D7/624.1  
 D332,385 S 1/1993 Adams  
 5,281,878 A \* 1/1994 Schaeffer ..... H02K 7/14  
 310/87  
 D346,821 S \* 5/1994 Smith ..... 347/88  
 5,346,449 A 9/1994 Schlagel  
 D400,406 S \* 11/1998 House ..... D7/624.1  
 5,915,580 A \* 6/1999 Melk ..... B65D 23/08  
 215/386  
 D427,258 S \* 6/2000 Sandoval ..... D21/681  
 D428,084 S \* 7/2000 Sandoval ..... D21/679  
 D428,455 S \* 7/2000 Sandoval ..... D21/679  
 D429,221 S \* 8/2000 Picozza ..... D13/168  
 D433,468 S \* 11/2000 Rojas ..... D21/680  
 D434,655 S \* 12/2000 Haugh ..... D9/434  
 D437,015 S \* 1/2001 Rojas ..... D21/679  
 6,386,992 B1 \* 5/2002 Harris ..... A63B 37/0003  
 473/356  
 D469,135 S \* 1/2003 Bell ..... D21/662

D480,969 S \* 10/2003 Owens ..... 220/4.27  
 D533,479 S 12/2006 Dubnicka  
 D554,237 S \* 10/2007 Lewis ..... D23/259  
 D574,117 S \* 7/2008 Gregory ..... D11/146  
 D583,883 S \* 12/2008 Thomas ..... D21/679  
 7,485,077 B2 2/2009 Chen  
 D596,452 S \* 7/2009 Komorski ..... D7/387  
 D611,524 S \* 3/2010 Lawrence, III ..... D17/22  
 D613,600 S \* 4/2010 David ..... D9/456  
 D628,056 S 11/2010 Busch  
 D630,937 S 1/2011 Busch  
 D644,073 S \* 8/2011 Nottke ..... D7/697  
 D663,196 S 7/2012 Bohnet et al.  
 D685,865 S \* 7/2013 Kuhn ..... D21/679  
 8,500,609 B1 \* 8/2013 Williams ..... A63C 11/228  
 135/65  
 D689,701 S \* 9/2013 Mischel, Jr. .... D6/309  
 D725,722 S \* 3/2015 Conaway ..... D21/679  
 9,114,279 B2 8/2015 Murray et al.  
 D746,168 S 12/2015 Vaughan et al.  
 D749,889 S \* 2/2016 Magistro ..... D7/354  
 9,375,601 B2 6/2016 Miller et al.  
 D763,658 S \* 8/2016 Grasselli ..... D8/321  
 D770,579 S 11/2016 Chang et al.  
 D787,976 S \* 5/2017 Jimenez ..... D11/81  
 D795,971 S 8/2017 Patti  
 D797,532 S 9/2017 Durand et al.  
 D801,496 S \* 10/2017 Letham ..... D23/336  
 10,004,972 B2 6/2018 Young  
 10,195,476 B2 2/2019 Jennings et al.  
 D843,524 S 3/2019 Henniger  
 D847,276 S 4/2019 Summers  
 D862,617 S 10/2019 Henniger et al.  
 D884,097 S 5/2020 Ameri et al.  
 D887,246 S 6/2020 Chang  
 D891,545 S 7/2020 Jones et al.  
 D892,238 S 8/2020 Dunahay  
 D892,240 S 8/2020 Sergakis  
 2008/0220952 A1 9/2008 Yang  
 2012/0094810 A1 \* 4/2012 Anderson ..... A63B 21/0724  
 482/107  
 2014/0045660 A1 \* 2/2014 Murray ..... A63B 21/0724  
 482/106  
 2015/0038302 A1 2/2015 O'Brien  
 2015/0343255 A1 \* 12/2015 Miller ..... A63B 21/072  
 482/104  
 2017/0157489 A1 \* 6/2017 Young ..... A63B 21/4035  
 2017/0216650 A1 \* 8/2017 Simmons ..... A63B 21/055  
 482/107  
 2017/0216654 A1 \* 8/2017 Parker ..... A63B 21/0722  
 482/107

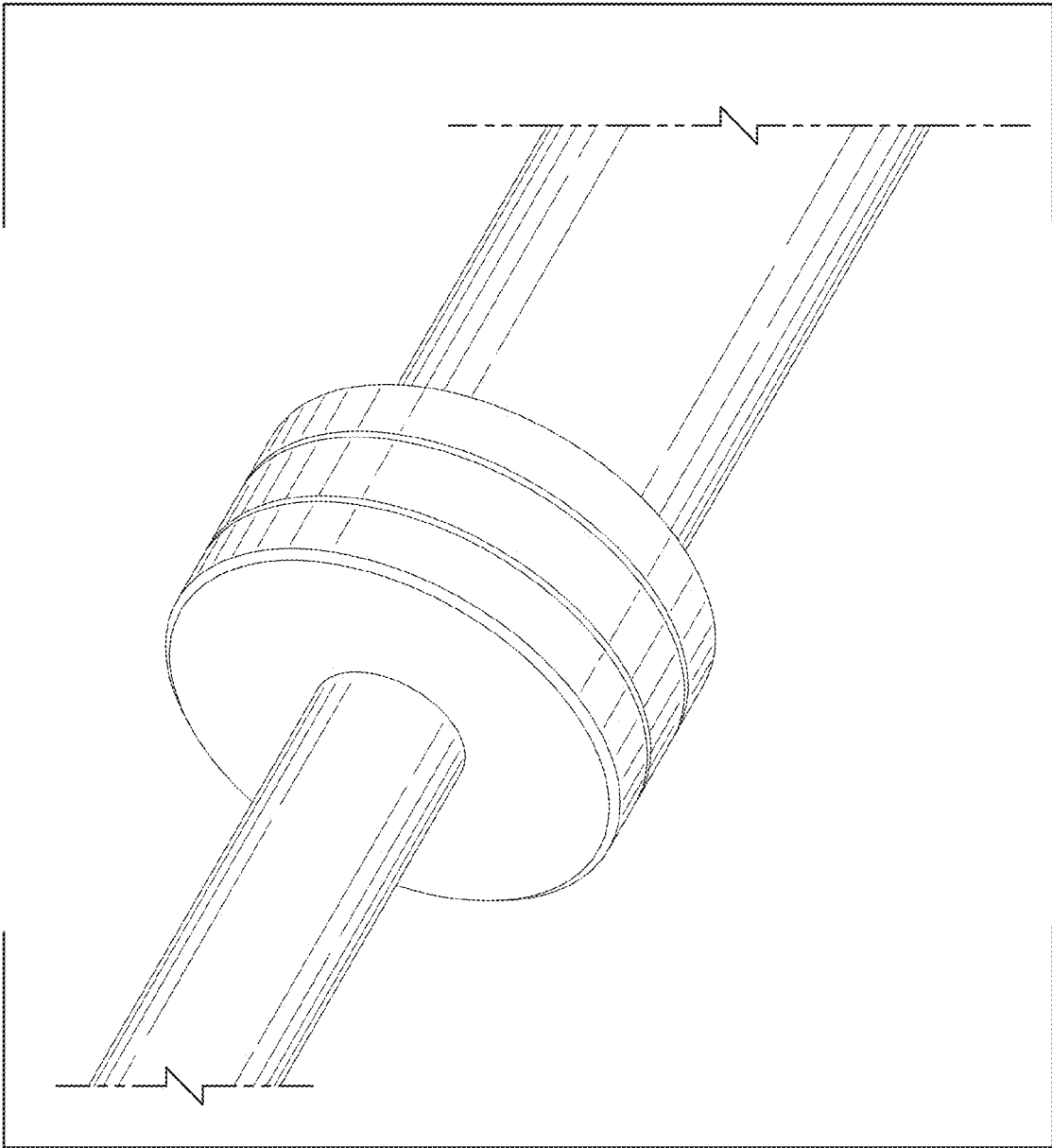
OTHER PUBLICATIONS

Yaheetech, [online], [site visited Aug. 29, 2022]. Available on internet, URL:https://www.amazon.com/ <http://www.amazon.com/> Yaheetech-Olympic-Collars-Workout-Exercises/dp/B0172TDYK4/ref—Date of first sale represented as Oct. 24, 2015.  
 Sunny, [online], [site visited Aug. 29, 2022]. Available on internet, URL:https://www.amazon.com/ <http://www.amazon.com/> Sunny-Threaded-Chrome-Barbell-60-Inch/dp/B004EFYPBC/ref—Date of first sale represented as Nov. 25, 2010.  
 Rage fitness store, [online], [site visited Aug. 29, 2022]. Available on internet, URL:https://www.amazon.com/ <http://www.amazon.com/> Fitness-Olympic-Training-Barbell-Weightlifting/dp/B00R93GJ74/ref—Date of first sale represented as Dec. 19, 2014.  
 The Rogue Bar 2.0 by Rogue dated Aug. 4, 2014. Found online [Aug. 4, 2017] https://www.roguefitness.com/the-rogue-bar-2-0.\*

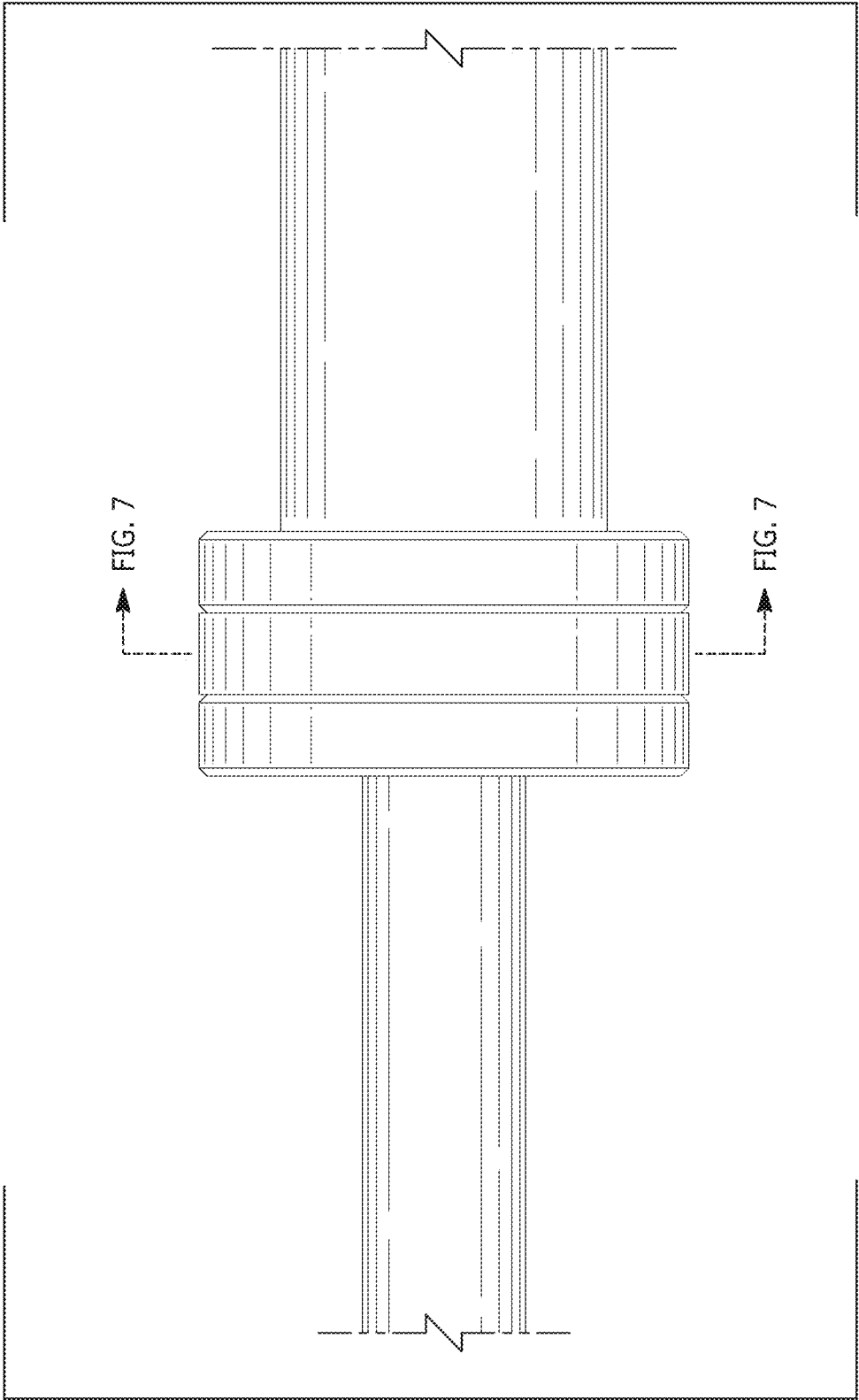
\* cited by examiner



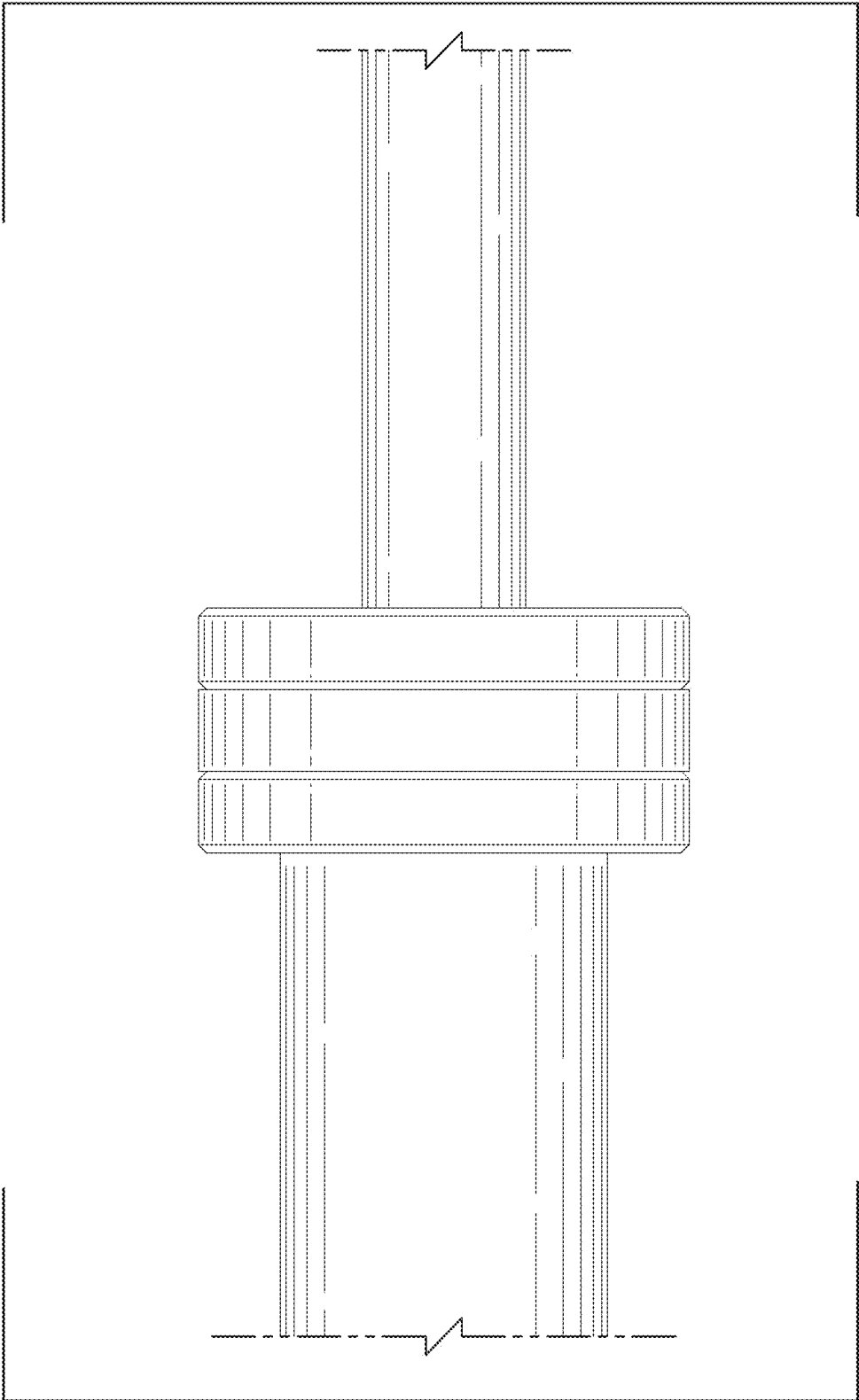
**FIG. 1 (CANCELED)**



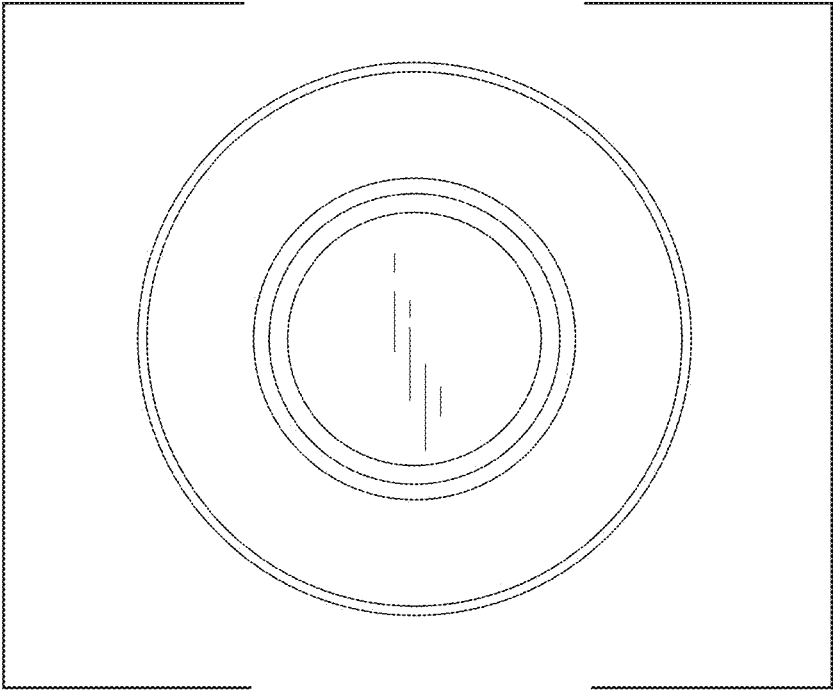
**FIG. 2 (CANCELED)**



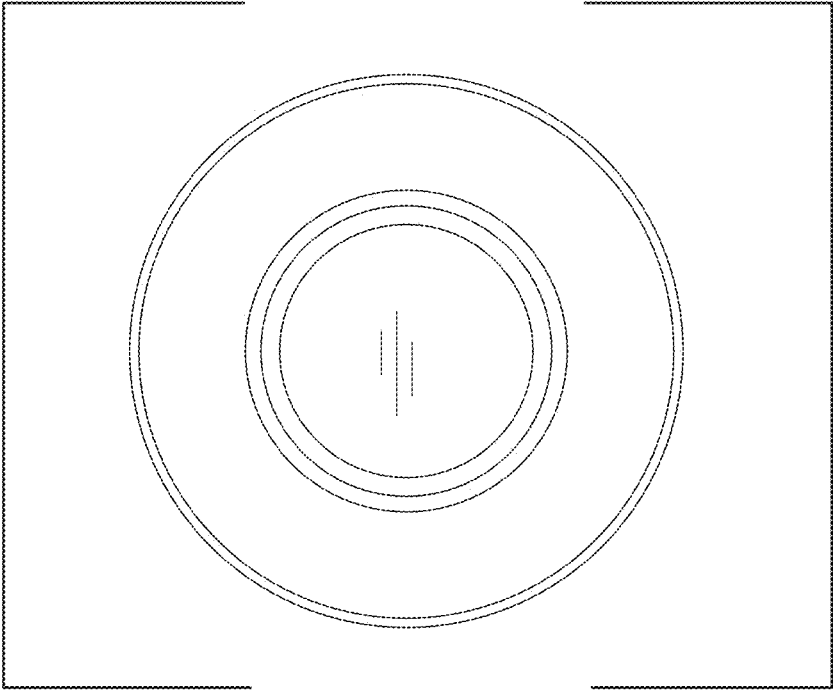
**FIG. 3 (CANCELED)**



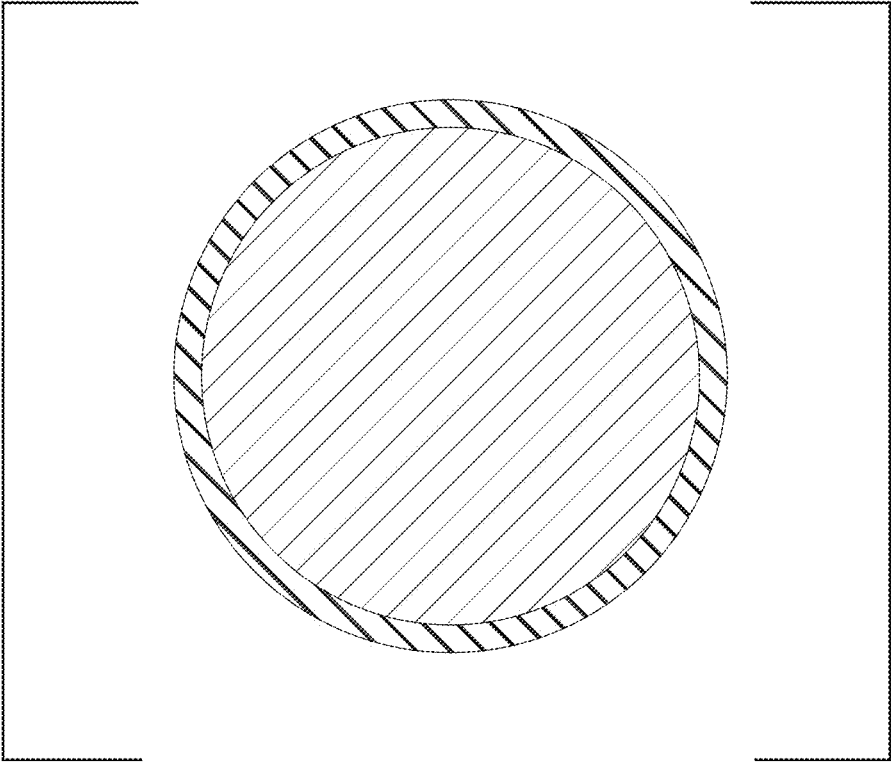
**FIG. 4 (CANCELED)**



***FIG. 5 (CANCELED)***

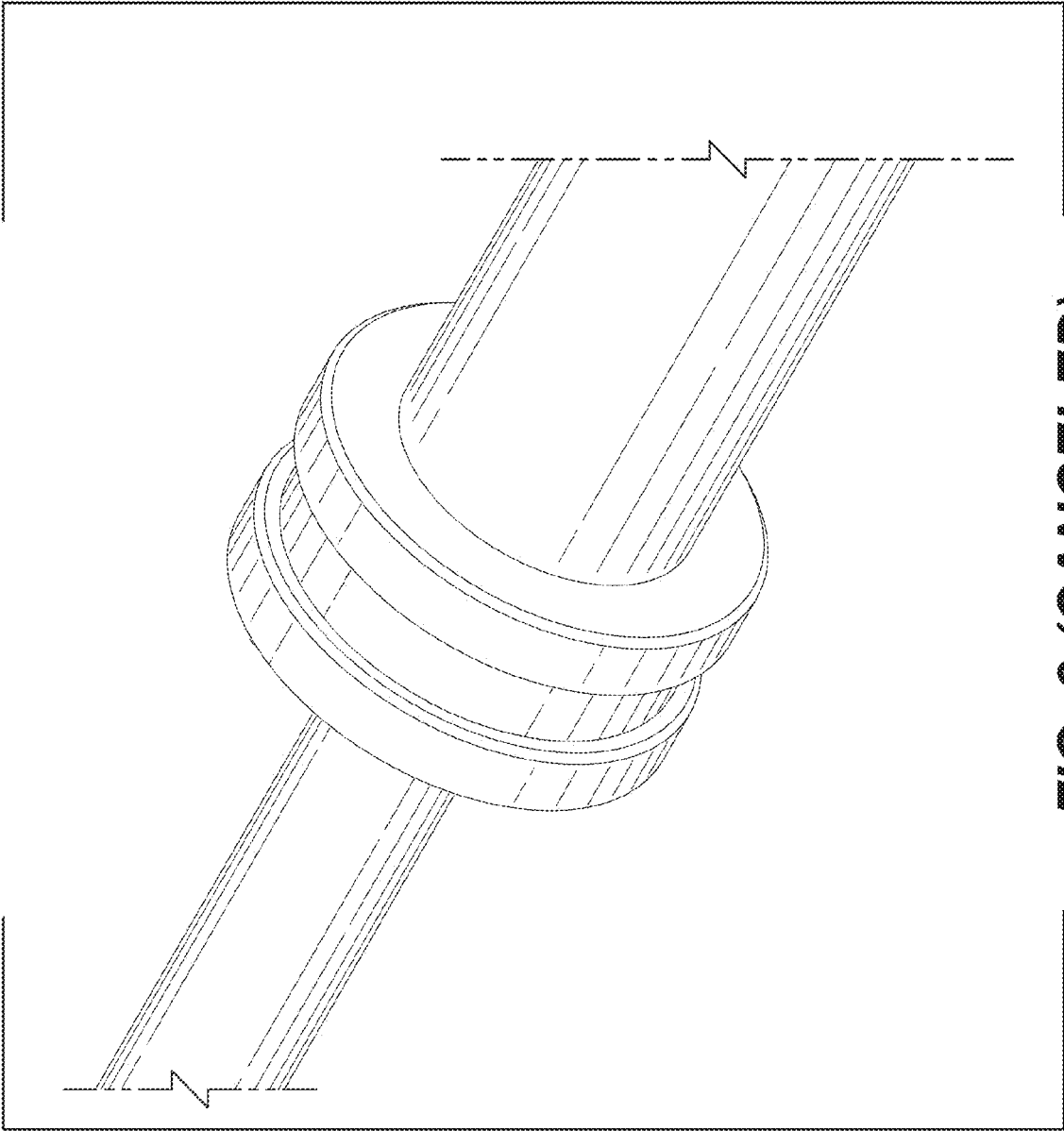


***FIG. 6 (CANCELED)***

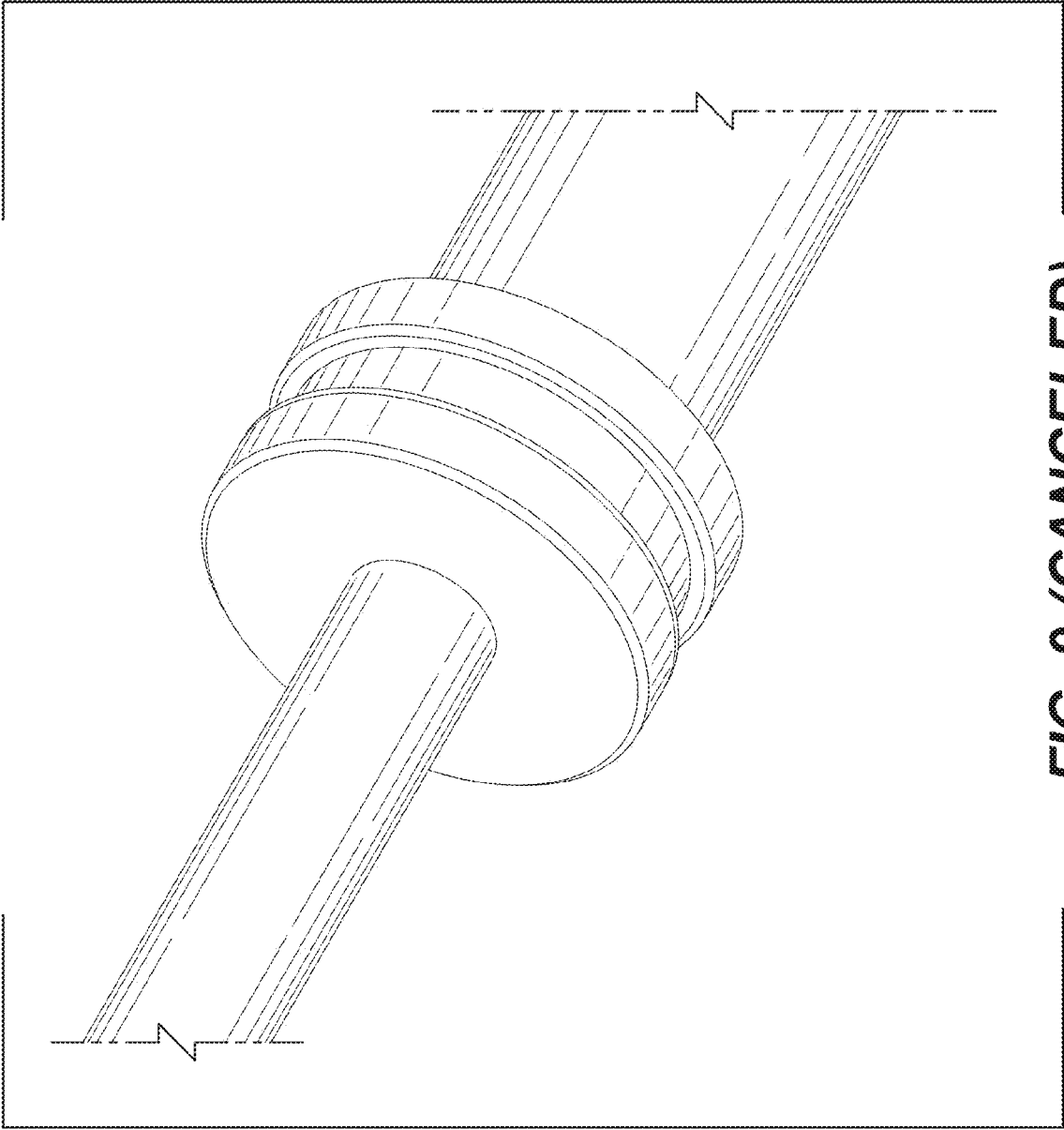


**FIG. 7 (CANCELED)**

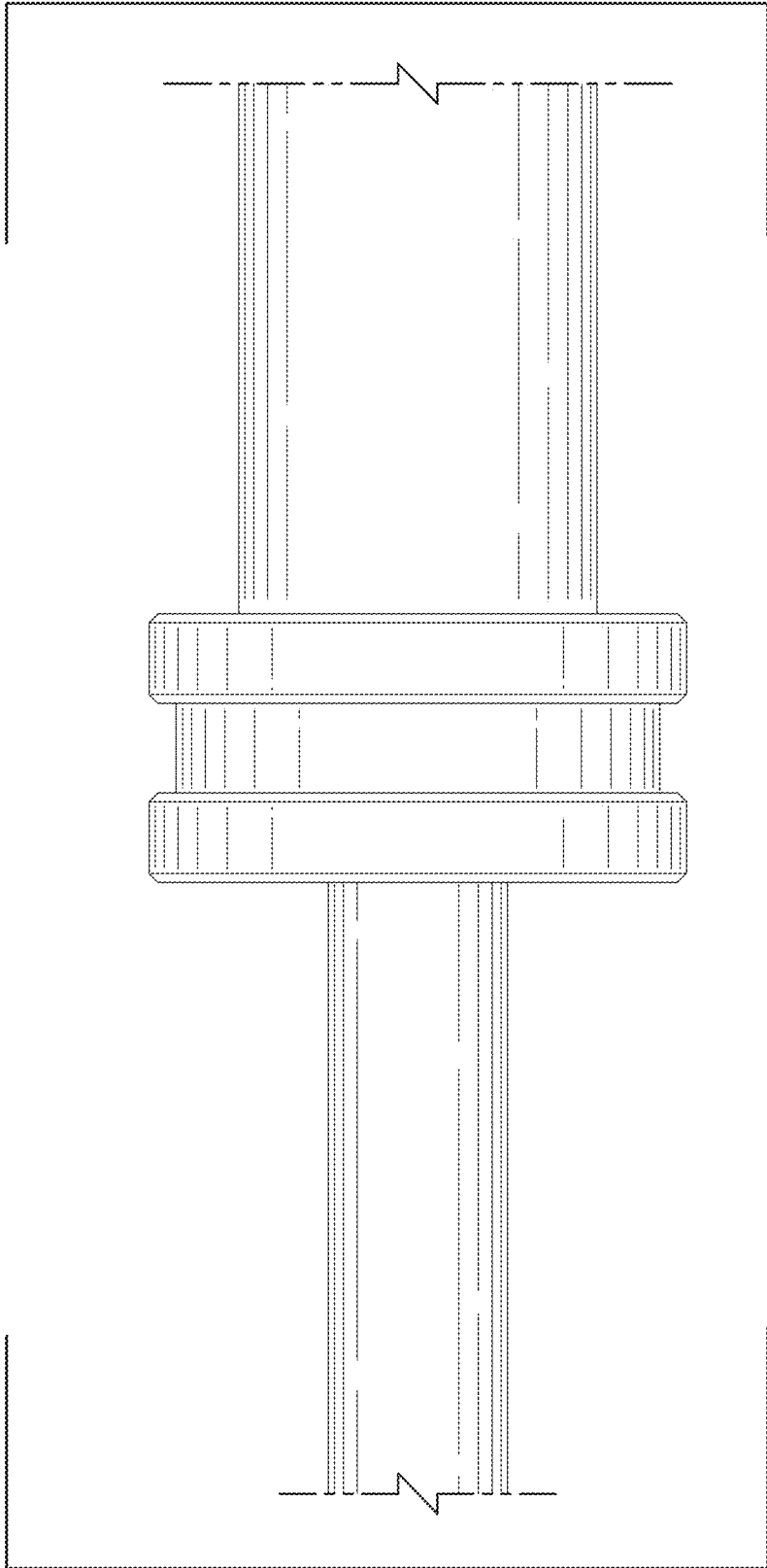




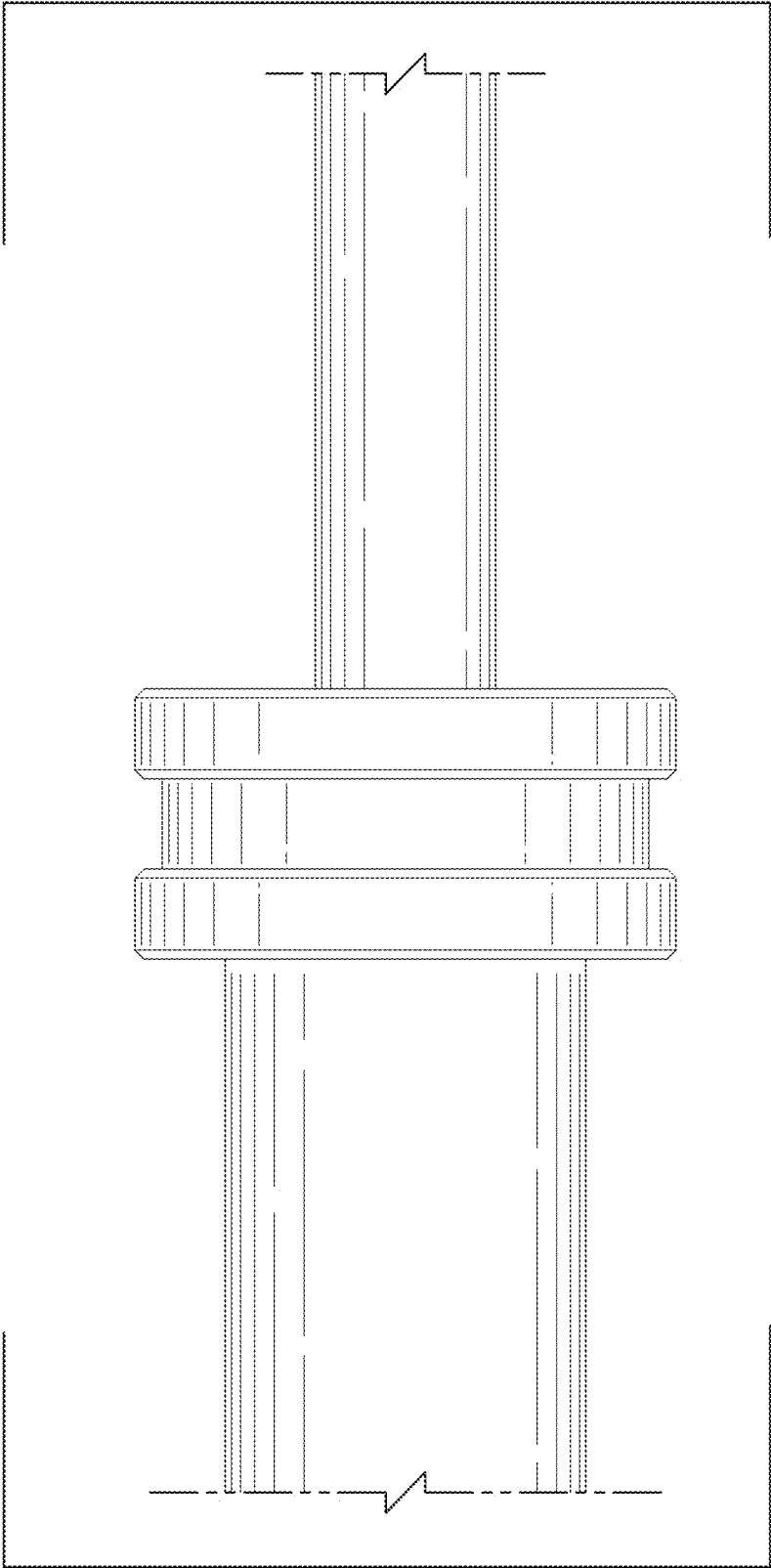
**FIG. 8 (CANCELED)**



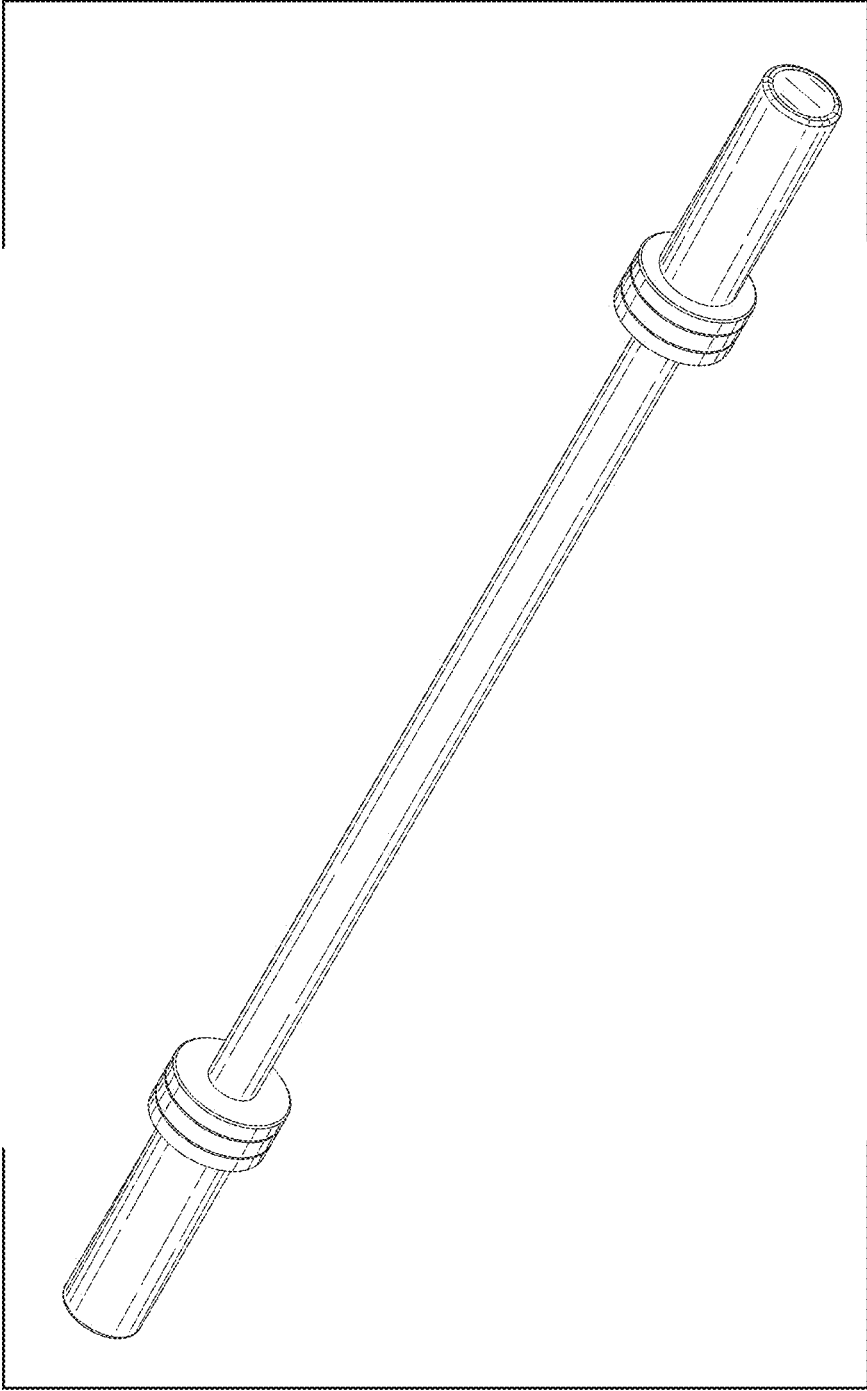
**FIG. 9 (CANCELED)**



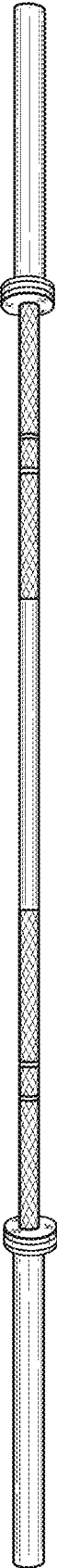
**FIG. 10 (CANCELED)**



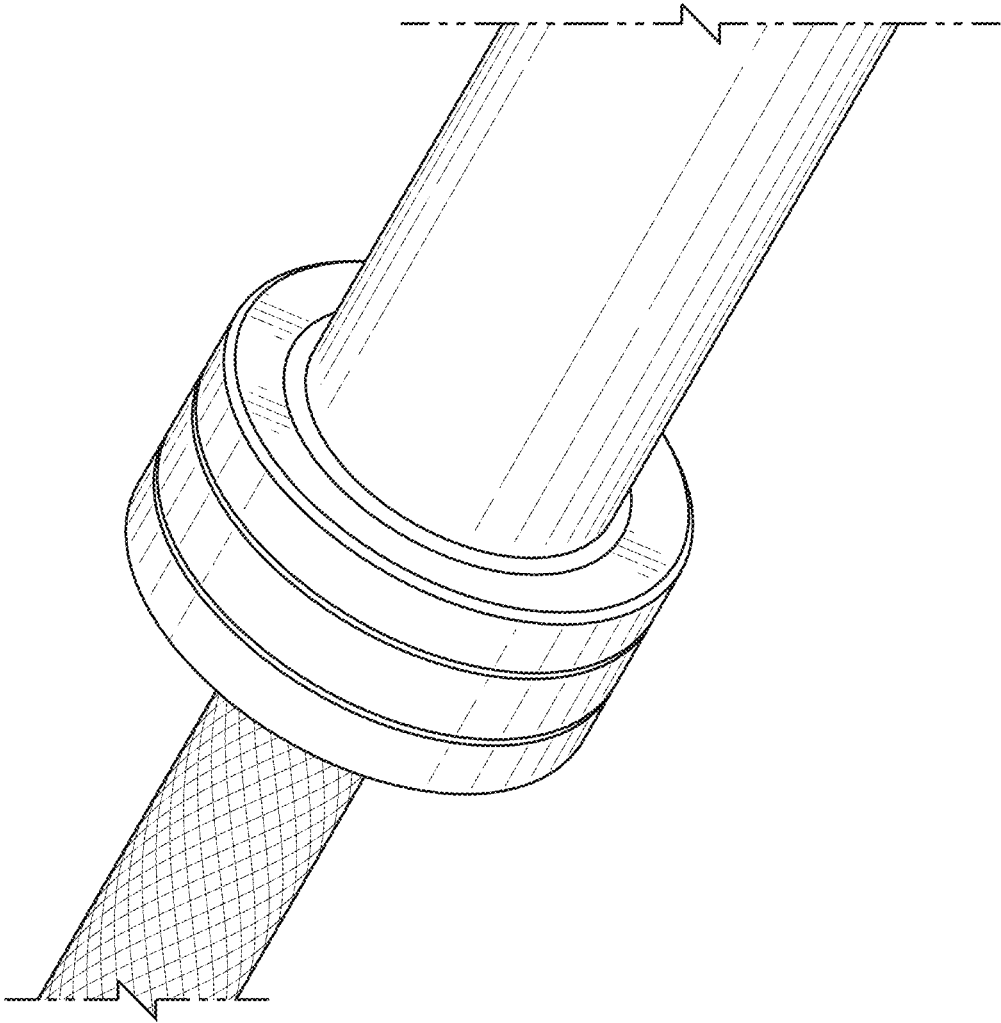
**FIG. 11 (CANCELED)**



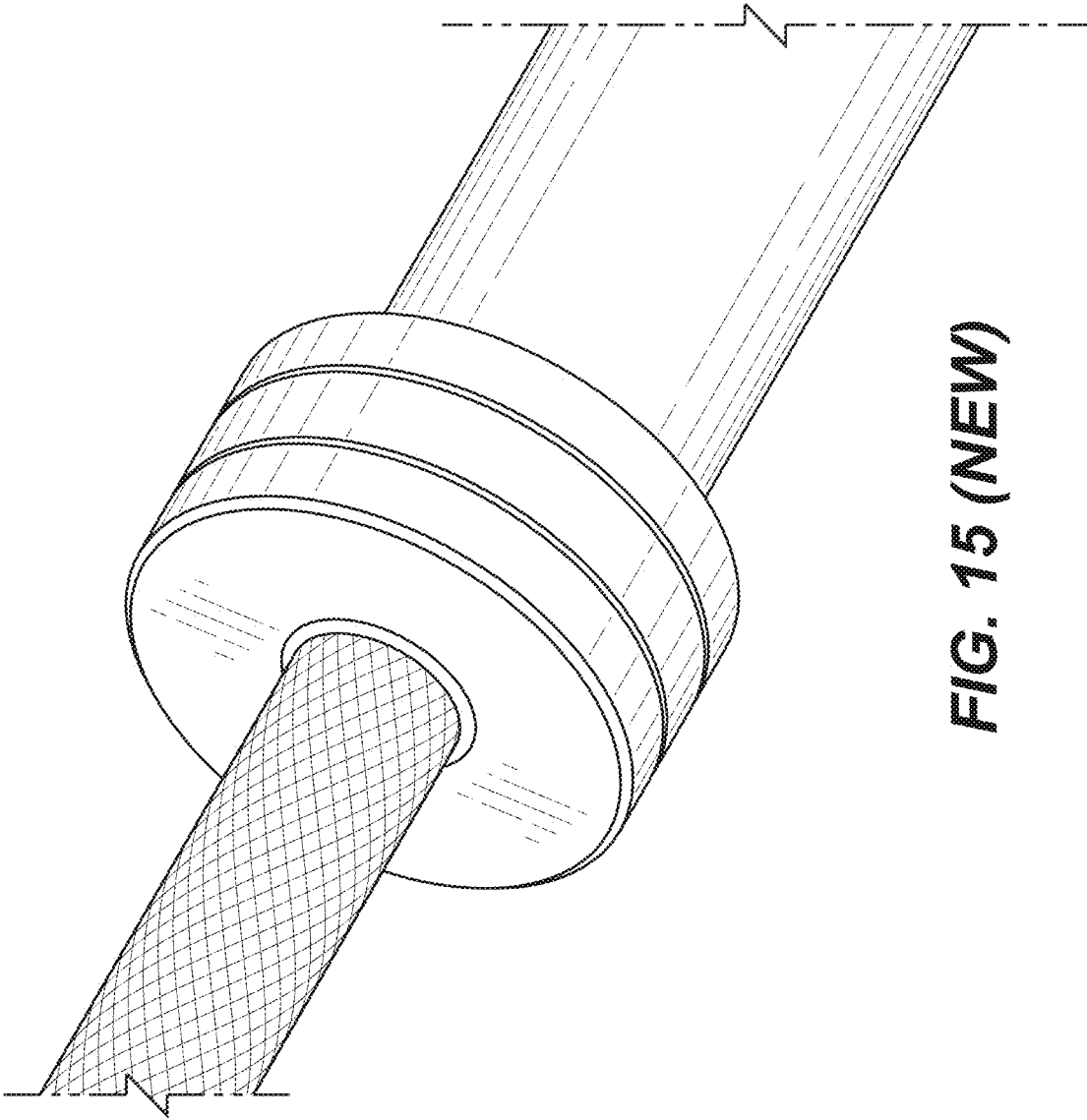
**FIG. 12 (CANCELED)**



**FIG. 13 (NEW)**

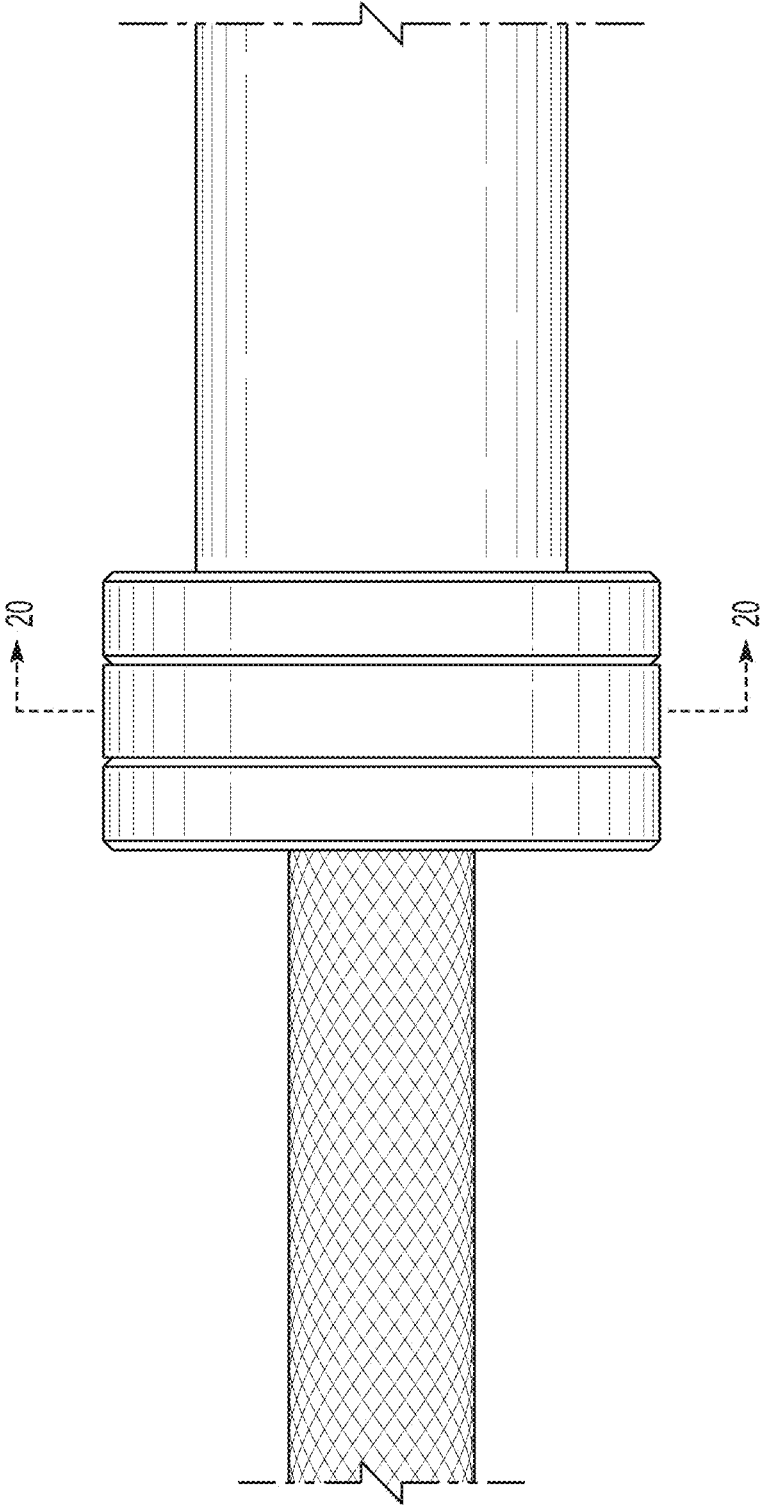


**FIG. 14 (NEW)**

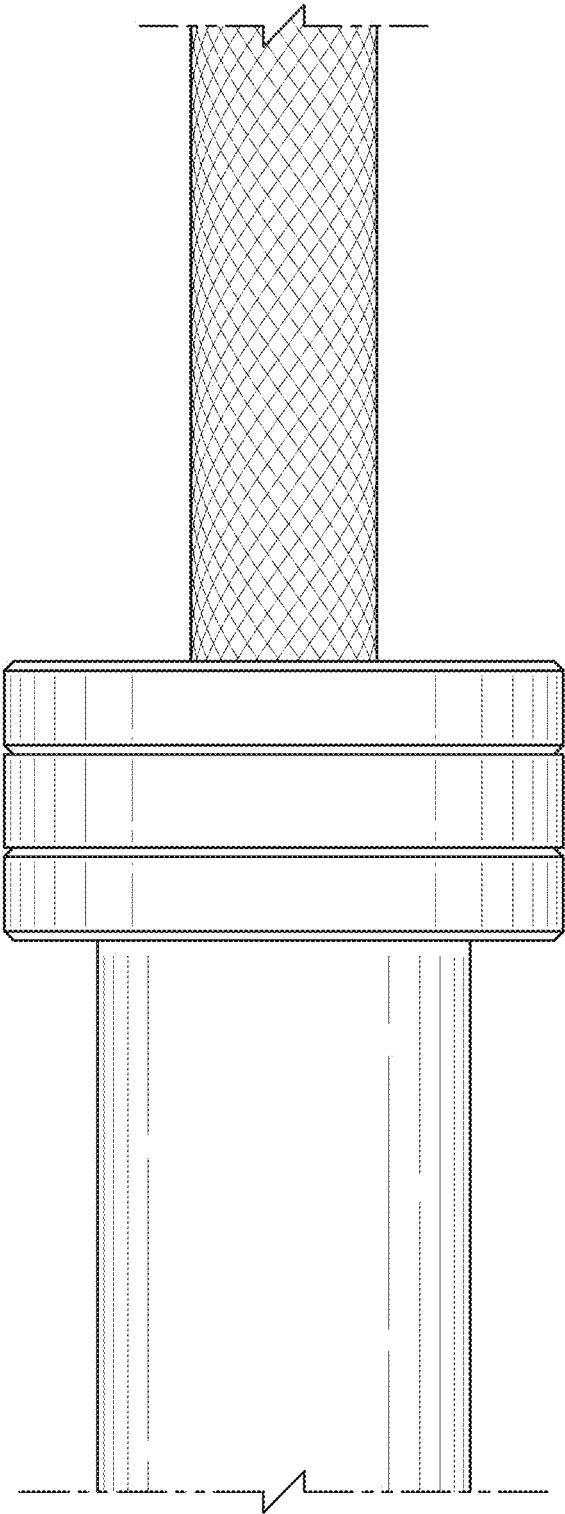


**FIG. 15 (NEW)**

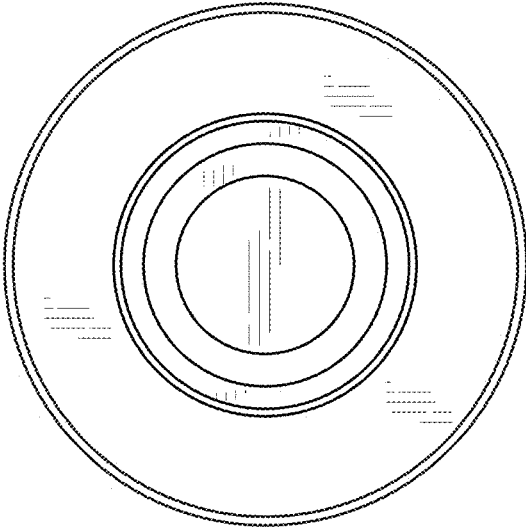




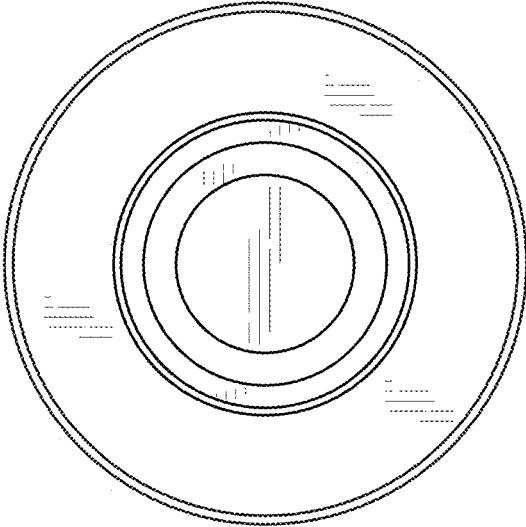
**FIG. 16 (NEW)**



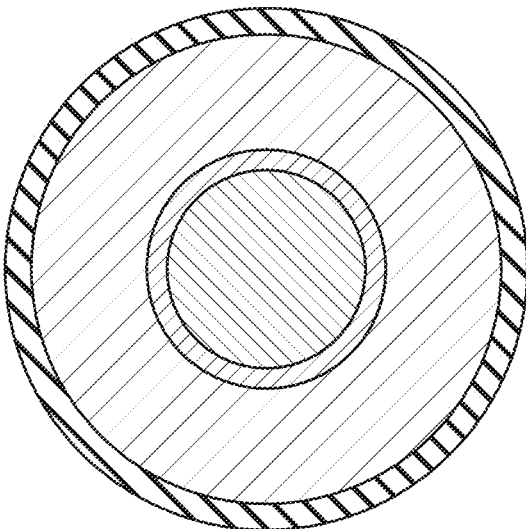
**FIG. 17 (NEW)**



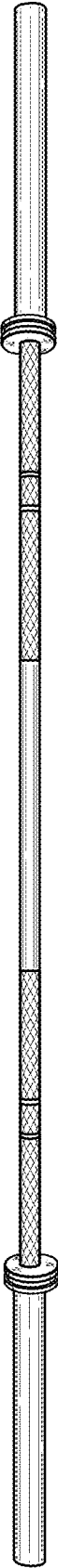
**FIG. 18 (NEW)**



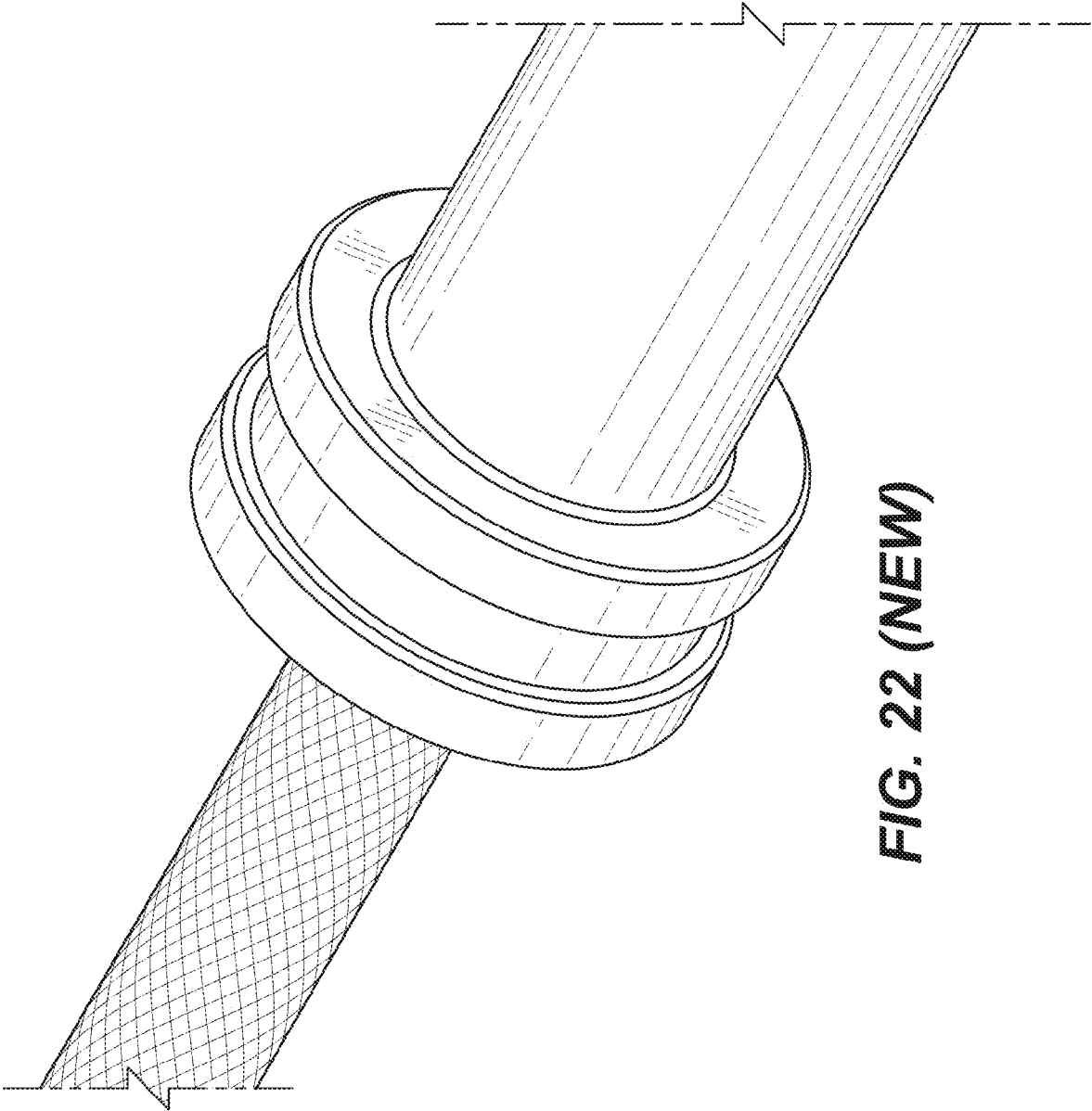
**FIG. 19 (NEW)**



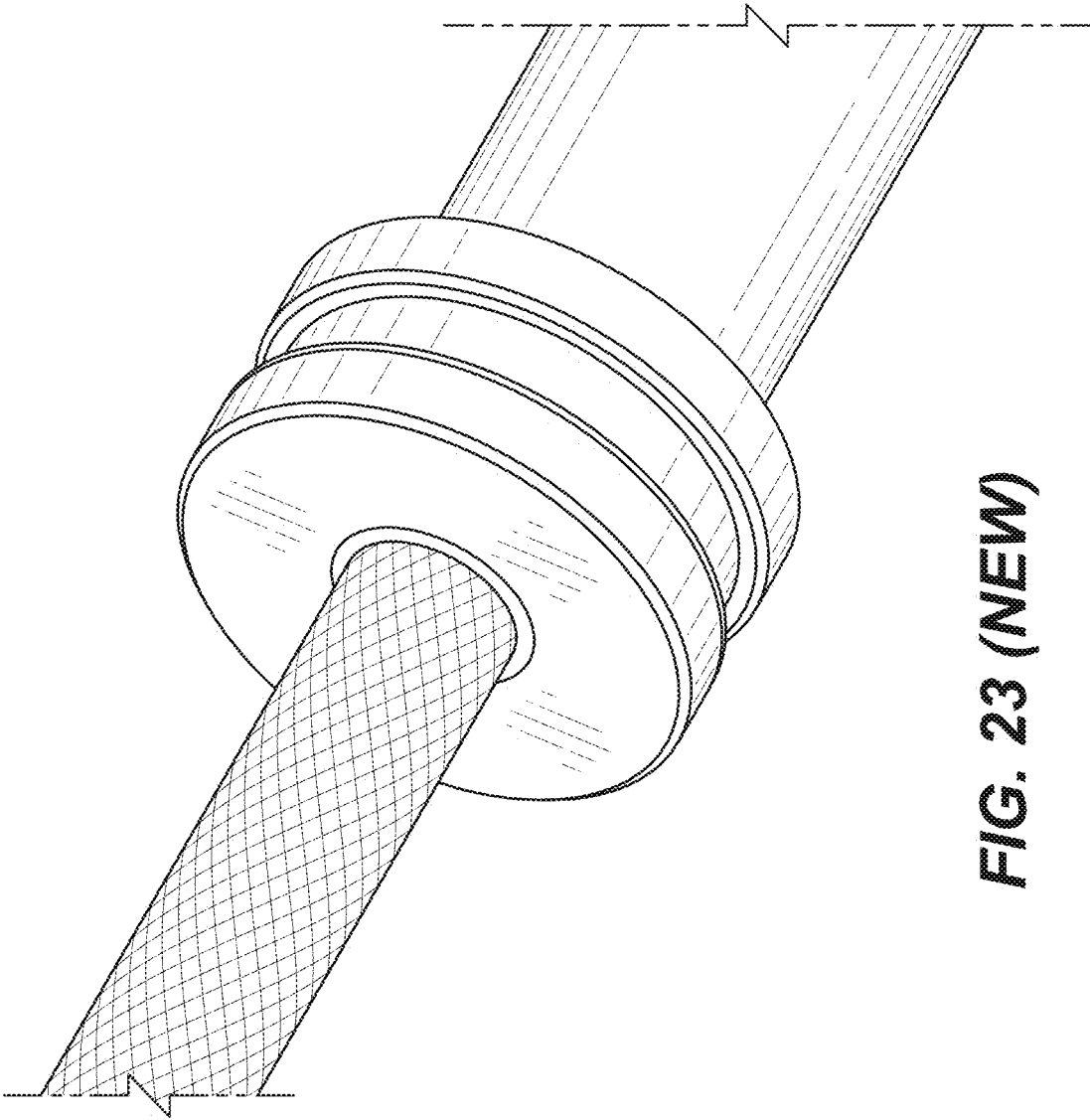
**FIG. 20 (NEW)**



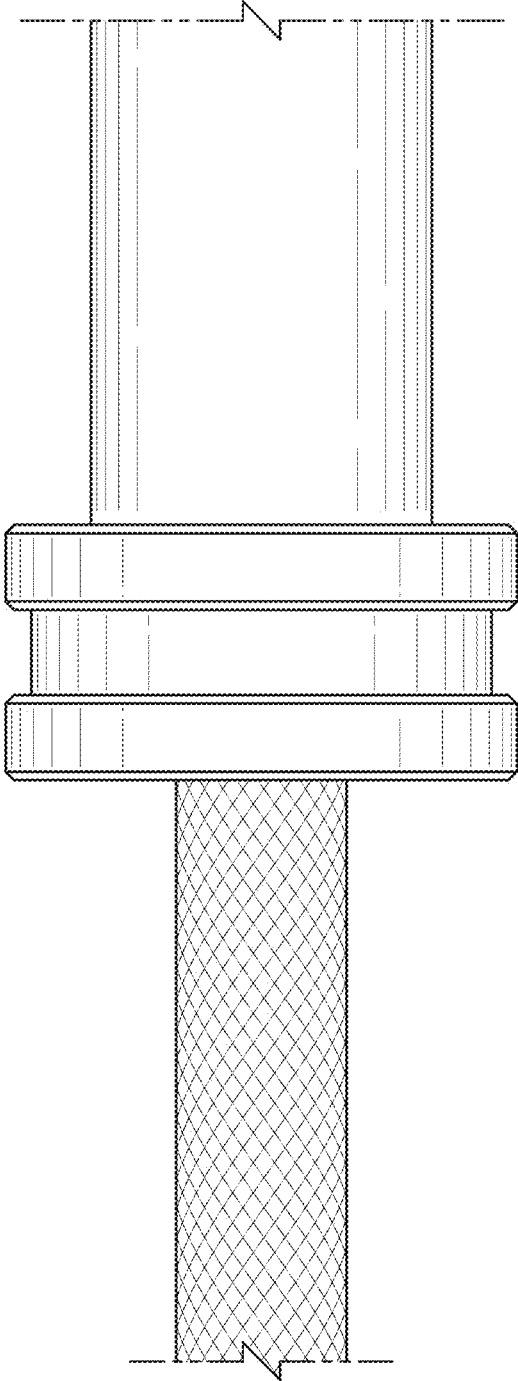
**FIG. 21 (NEW)**



**FIG. 22 (NEW)**

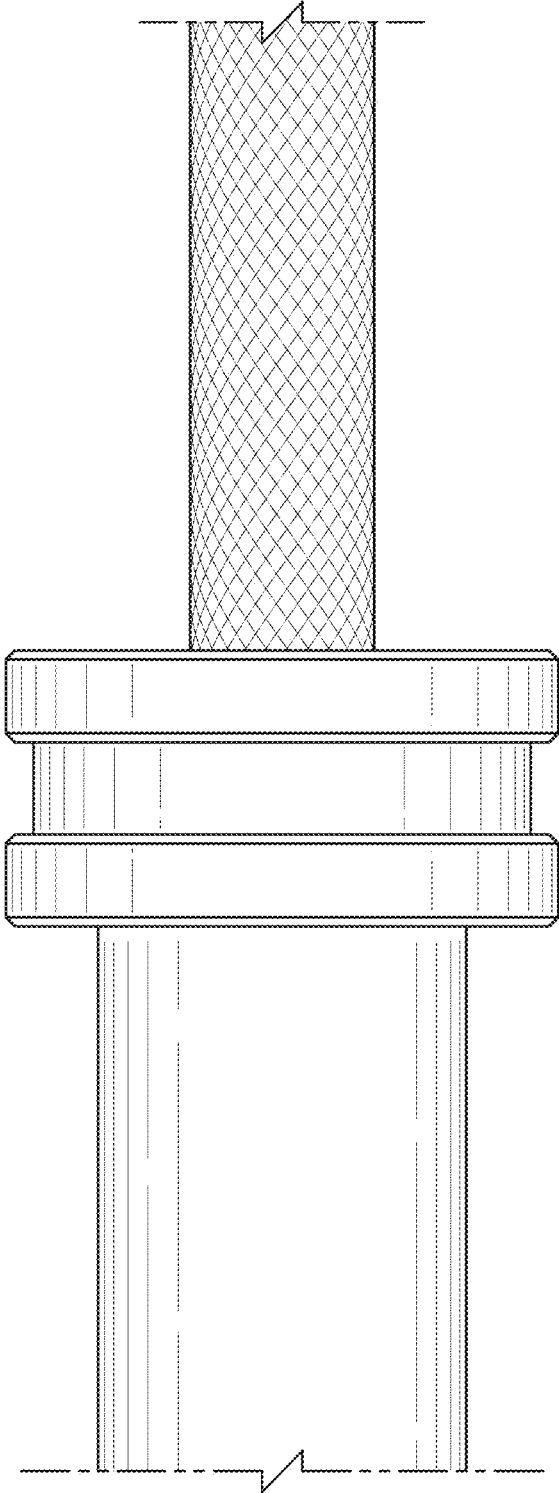


**FIG. 23 (NEW)**

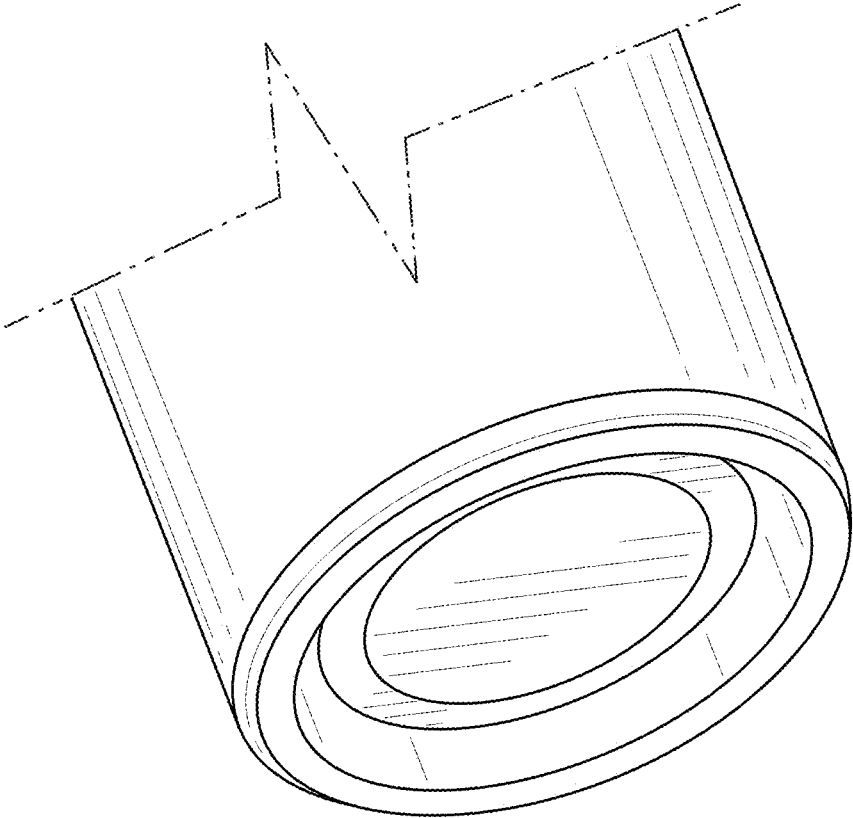


**FIG. 24 (NEW)**





**FIG. 25 (NEW)**



**FIG. 26 (NEW)**