



- (51) International Patent Classification:
A61B 17/04 (2006.01) A61F 2/08 (2006.01)
- (21) International Application Number:
PCT/US2011/054811
- (22) International Filing Date:
4 October 2011 (04.10.2011)
- (25) Filing Language: English
- (26) Publication Language: English
- (30) Priority Data:
61/389,524 4 October 2010 (04.10.2010) US
- (71) Applicant (for all designated States except US): **MEDICINELODGE, INC. DBA IMDS CO-INNOVATION** [US/US]; 124 South 600 West, Logan, Utah 84321 (US).
- (72) Inventors; and
- (75) Inventors/Applicants (for US only): **JUSTIN, Daniel F.** [US/US]; 8501 Amber Oak Dr., Orlando, Florida 32817 (US). **BUTTERS, Joshua A.** [US/US]; 1226 North Benson Lane, Chandler, Arizona 85224 (US). **SLATER, Nicholas** [US/US]; 352 West Aster Drive, Chandler, Arizona 85248 (US). **MOORADIAN, Mark J.** [US/US]; 2409 East Rockledge Road, Phoenix, Arizona 85048 (US). **HOOF, Jordan A.** [US/US]; 16712 South 22nd St., Phoenix, Arizona 85048 (US). **COALE, Bradford J.** [US/US]; 2910 S Greenfiled Rd. Apt. 2050, Gilbert, Arizona 85295 (US).
- (74) Agent: **HAYS, G. Jo**; MedicineLodge, Inc. dba IMDS Co-Innovation, 124 South 600 West, Logan, Utah 85295 (US).

- (81) Designated States (unless otherwise indicated, for every kind of national protection available): AE, AG, AL, AM, AO, AT, AU, AZ, BA, BB, BG, BH, BR, BW, BY, BZ, CA, CH, CL, CN, CO, CR, CU, CZ, DE, DK, DM, DO, DZ, EC, EE, EG, ES, FI, GB, GD, GE, GH, GM, GT, HN, HR, HU, ID, IL, IN, IS, JP, KE, KG, KM, KN, KP, KR, KZ, LA, LC, LK, LR, LS, LT, LU, LY, MA, MD, ME, MG, MK, MN, MW, MX, MY, MZ, NA, NG, NI, NO, NZ, OM, PE, PG, PH, PL, PT, QA, RO, RS, RU, RW, SC, SD, SE, SG, SK, SL, SM, ST, SV, SY, TH, TJ, TM, TN, TR, TT, TZ, UA, UG, US, UZ, VC, VN, ZA, ZM, ZW.
- (84) Designated States (unless otherwise indicated, for every kind of regional protection available): ARIPO (BW, GH, GM, KE, LR, LS, MW, MZ, NA, RW, SD, SL, SZ, TZ, UG, ZM, ZW), Eurasian (AM, AZ, BY, KG, KZ, MD, RU, TJ, TM), European (AL, AT, BE, BG, CH, CY, CZ, DE, DK, EE, ES, FI, FR, GB, GR, HR, HU, IE, IS, IT, LT, LU, LV, MC, MK, MT, NL, NO, PL, PT, RO, RS, SE, SI, SK, SM, TR), OAPI (BF, BJ, CF, CG, CI, CM, GA, GN, GQ, GW, ML, MR, NE, SN, TD, TG).

Published:

- with international search report (Art. 21(3))
- before the expiration of the time limit for amending the claims and to be republished in the event of receipt of amendments (Rule 48.2(h))

- (88) Date of publication of the international search report:
28 June 2012

(54) Title: INTRA-OPERATIVE ACL GRAFT INSTRUMENTATION

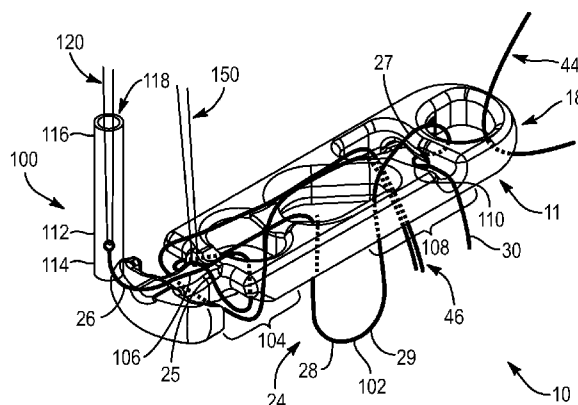


FIG. 22A

(57) Abstract: A line lock system may include a line routed through a plate. The plate (11) may have an elongated body with a plurality of passageways (14). The line is routed to form at least one one-way slide so no knots are required. The system may include filaments routed through the passageways of the plate or around a dogbone feature of the plate. The filaments may be used to toggle the plate after passage through a hole to prevent withdrawal of the plate back through the hole. The system may include a line lock stabilizer (100, 200, 318) or counter-tension tool to stabilize the line lock as the line is adjusted., a compression limiter (150,160,316) to selectively reduce compression in the one-way slide to facilitate adjustment of the line, means for adjusting the line (320), or a line cutter (678).

WO 2012/047925 A3

INTERNATIONAL SEARCH REPORT

International application No
PCT/US2011/054811

A. CLASSIFICATION OF SUBJECT MATTER
 INV. A61B17/04 A61F2/08
 ADD.
 According to International Patent Classification (IPC) or to both national classification and IPC

B. FIELDS SEARCHED
 Minimum documentation searched (classification system followed by classification symbols)
 A61B A61F B65H

Documentation searched other than minimum documentation to the extent that such documents are included in the fields searched

Electronic data base consulted during the international search (name of data base and, where practicable, search terms used)
 EPO-Internal

C. DOCUMENTS CONSIDERED TO BE RELEVANT

Category*	Citation of document, with indication, where appropriate, of the relevant passages	Relevant to claim No.
X	US 2004/002734 A1 (FALLIN T WADE [US] ET AL) 1 January 2004 (2004-01-01) paragraphs [0045], [0051], [0052]; figures 1,4,7,9,16 -----	1-21
X	US 2006/282081 A1 (FANTON GARY S [US] ET AL) 14 December 2006 (2006-12-14) figures 25A,25B,28B,28C -----	1-3,6, 12-14
X	WO 2006/029127 A2 (MEDICINELODGE INC [US]; FALLIN T WADE [US]; SINNOTT M MARY [US]) 16 March 2006 (2006-03-16) figures 3,4a,838,,52 -----	1-21
X	US 6 030 007 A (BASSILY SAMIR F [US] ET AL) 29 February 2000 (2000-02-29) columns 1,4; figures 4,5 ----- -/--	1-6, 12-16

Further documents are listed in the continuation of Box C.

See patent family annex.

* Special categories of cited documents :

<p>"A" document defining the general state of the art which is not considered to be of particular relevance</p> <p>"E" earlier application or patent but published on or after the international filing date</p> <p>"L" document which may throw doubts on priority claim(s) or which is cited to establish the publication date of another citation or other special reason (as specified)</p> <p>"O" document referring to an oral disclosure, use, exhibition or other means</p> <p>"P" document published prior to the international filing date but later than the priority date claimed</p>	<p>"T" later document published after the international filing date or priority date and not in conflict with the application but cited to understand the principle or theory underlying the invention</p> <p>"X" document of particular relevance; the claimed invention cannot be considered novel or cannot be considered to involve an inventive step when the document is taken alone</p> <p>"Y" document of particular relevance; the claimed invention cannot be considered to involve an inventive step when the document is combined with one or more other such documents, such combination being obvious to a person skilled in the art</p> <p>"&" document member of the same patent family</p>
---	---

Date of the actual completion of the international search 8 February 2012	Date of mailing of the international search report 14/05/2012
--	--

Name and mailing address of the ISA/ European Patent Office, P.B. 5818 Patentlaan 2 NL - 2280 HV Rijswijk Tel. (+31-70) 340-2040, Fax: (+31-70) 340-3016	Authorized officer Assion, Jean-Charles
--	--

INTERNATIONAL SEARCH REPORT

International application No
PCT/US2011/054811

C(Continuation). DOCUMENTS CONSIDERED TO BE RELEVANT		
Category*	Citation of document, with indication, where appropriate, of the relevant passages	Relevant to claim No.
A	WO 2009/049002 A1 (STOLL EDWARD JORDAN JR [US]) 16 April 2009 (2009-04-16) page 8; figure 2 -----	1,12
A	US 2009/182335 A1 (STRUHL STEVEN [US]) 16 July 2009 (2009-07-16) figures 2,4 -----	1,12
A	WO 2009/009617 A1 (NEOTRACT INC [US]; MCLEAN MATTHEW [US]; CHENG FLORIA [US]; MERRICK DAN) 15 January 2009 (2009-01-15) figure 1A -----	1,12

INTERNATIONAL SEARCH REPORT

International application No.
PCT/US2011/054811

Box No. II Observations where certain claims were found unsearchable (Continuation of item 2 of first sheet)

This international search report has not been established in respect of certain claims under Article 17(2)(a) for the following reasons:

1. Claims Nos.:
because they relate to subject matter not required to be searched by this Authority, namely:

2. Claims Nos.:
because they relate to parts of the international application that do not comply with the prescribed requirements to such an extent that no meaningful international search can be carried out, specifically:

3. Claims Nos.:
because they are dependent claims and are not drafted in accordance with the second and third sentences of Rule 6.4(a).

Box No. III Observations where unity of invention is lacking (Continuation of item 3 of first sheet)

This International Searching Authority found multiple inventions in this international application, as follows:

see additional sheet

1. As all required additional search fees were timely paid by the applicant, this international search report covers all searchable claims.

2. As all searchable claims could be searched without effort justifying an additional fees, this Authority did not invite payment of additional fees.

3. As only some of the required additional search fees were timely paid by the applicant, this international search report covers only those claims for which fees were paid, specifically claims Nos.:

4. No required additional search fees were timely paid by the applicant. Consequently, this international search report is restricted to the invention first mentioned in the claims; it is covered by claims Nos.:

1-21

Remark on Protest

- The additional search fees were accompanied by the applicant's protest and, where applicable, the payment of a protest fee.
- The additional search fees were accompanied by the applicant's protest but the applicable protest fee was not paid within the time limit specified in the invitation.
- No protest accompanied the payment of additional search fees.

FURTHER INFORMATION CONTINUED FROM PCT/ISA/ 210

This International Searching Authority found multiple (groups of) inventions in this international application, as follows:

1. claims: 1-11, 15-21

System comprising a compression limiter

1.1. claims: 6-21

System comprising a means for adjusting the line

2. claim: 22

System comprising a cutter

INTERNATIONAL SEARCH REPORT

Information on patent family members

International application No PCT/US2011/054811

Patent document cited in search report	Publication date	Patent family member(s)	Publication date
US 2004002734	A1	01-01-2004	US 2004002734 A1 01-01-2004
			US 2006064126 A1 23-03-2006
			US 2009312792 A1 17-12-2009

US 2006282081	A1	14-12-2006	AT 471113 T 15-07-2010
			AU 2007203780 A1 12-07-2007
			CA 2636001 A1 12-07-2007
			CN 101394795 A 25-03-2009
			EP 1971274 A1 24-09-2008
			EP 1986552 A2 05-11-2008
			JP 2009522065 A 11-06-2009
			JP 2009522066 A 11-06-2009
			US 2006282081 A1 14-12-2006
			US 2006282082 A1 14-12-2006
			US 2006282083 A1 14-12-2006
			US 2007156148 A1 05-07-2007
			US 2007156149 A1 05-07-2007
			US 2007156150 A1 05-07-2007
			US 2007156176 A1 05-07-2007
			US 2011238113 A1 29-09-2011
			WO 2007079492 A1 12-07-2007
			WO 2007079493 A2 12-07-2007

WO 2006029127	A2	16-03-2006	EP 1791475 A2 06-06-2007
			WO 2006029127 A2 16-03-2006

US 6030007	A	29-02-2000	NONE

WO 2009049002	A1	16-04-2009	AU 2008310855 A1 16-04-2009
			CA 2702044 A1 16-04-2009
			EP 2211724 A1 04-08-2010
			US 2011125189 A1 26-05-2011
			WO 2009049002 A1 16-04-2009

US 2009182335	A1	16-07-2009	NONE

WO 2009009617	A1	15-01-2009	CN 101795641 A 04-08-2010
			EP 2164427 A1 24-03-2010
			US 2009018553 A1 15-01-2009
			WO 2009009617 A1 15-01-2009
