

(19) World Intellectual Property Organization  
International Bureau



(43) International Publication Date  
24 January 2002 (24.01.2002)

PCT

(10) International Publication Number  
WO 02/007152 A3

(51) International Patent Classification<sup>7</sup>: E05B 73/00,  
G11B 23/023

(21) International Application Number: PCT/US01/22476

(22) International Filing Date: 18 July 2001 (18.07.2001)

(25) Filing Language: English

(26) Publication Language: English

(30) Priority Data:  
09/618,652 18 July 2000 (18.07.2000) US  
09/711,807 13 November 2000 (13.11.2000) US

(71) Applicant: NEXPAK CORPORATION [US/US]; 6370  
Wise Avenue, NW, North Canton, OH 44720 (US).

(72) Inventors: BYRNE, James, M.; 8556 Kellydale, NW,  
Massillon, OH 44646 (US). BELDEN, Dennis, D., Jr.;  
6485 Pebble Creek, NW, Canton, OH 44718 (US). BUR-  
DETT, Ronald, K.; 7435 Central Avenue, NW, Strasburg,  
OH 44680 (US). SEDON, Nicholas, M.; 5208 Sherlin  
N.W., Massillon, OH 44646 (US). JAEB, Michael, S.;

10336 Township Road 262, P.O. Box 94, Millersburg, OH  
44654 (US). MARSILIO, Ronald, M.; 13379 Cinnam-  
on Lane, Mogadore, OH 44260 (US). GALLAGHER,  
Christopher, G.; 7 Mayfield Avenue, Akron, OH 44313  
(US).

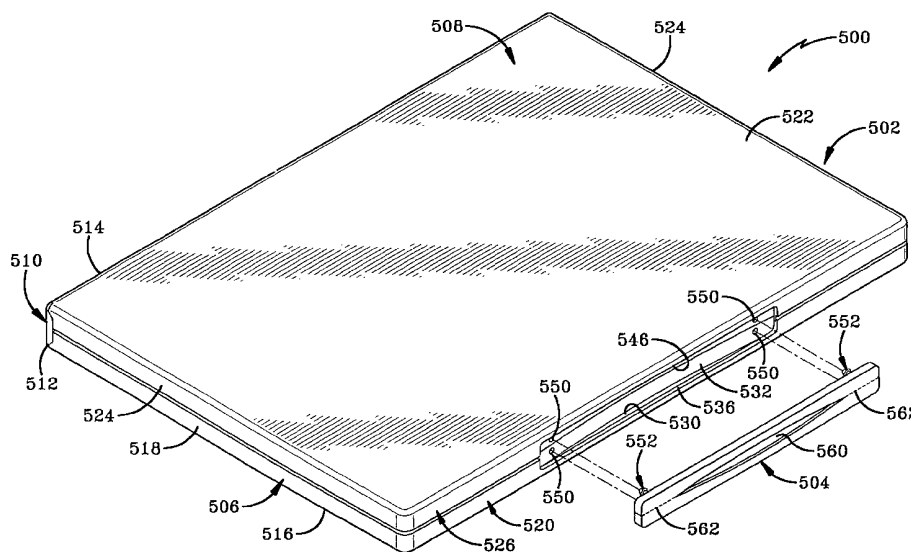
(74) Agents: ZOLLINGER, Fred, H., III et al.; Sand & Se-  
bolt, Aegis Tower,, Suite 1100,, 4940 Munson Street, NW,  
Canton, OH 44718-3615 (US).

(81) Designated States (*national*): AE, AG, AL, AM, AT, AU,  
AZ, BA, BB, BG, BR, BY, BZ, CA, CH, CN, CO, CR, CU,  
CZ, DE, DK, DM, DZ, EE, ES, FI, GB, GD, GE, GH, GM,  
HR, HU, ID, IL, IN, IS, JP, KE, KG, KP, KR, KZ, LC, LK,  
LR, LS, LT, LU, LV, MA, MD, MG, MK, MN, MW, MX,  
MZ, NO, NZ, PL, PT, RO, RU, SD, SE, SG, SI, SK, SL,  
TJ, TM, TR, TT, TZ, UA, UG, UZ, VN, YU, ZA, ZW.

(84) Designated States (*regional*): ARIPO patent (GH, GM,  
KE, LS, MW, MZ, SD, SL, SZ, TZ, UG, ZW), Eurasian  
patent (AM, AZ, BY, KG, KZ, MD, RU, TJ, TM), European  
patent (AT, BE, CH, CY, DE, DK, ES, FI, FR, GB, GR, IE,  
IT, LU, MC, NL, PT, SE, TR), OAPI patent (BF, BJ, CF,  
CG, CI, CM, GA, GN, GQ, GW, ML, MR, NE, SN, TD,  
TG).

[Continued on next page]

(54) Title: LOCKABLE MEDIA STORAGE BOX WITH LOCK AND KEY



(57) Abstract: A lockable media storage box includes a base and a lid connected to the base with at least one hinge. The base and lid include elements that cooperate with a locking to allows the lid to be locked in the closed position. In one embodiment, the lock is received in the concave opening disposed at the front of the storage container. Teh lock may be unlocked with a special key or may be unlocked by destroying portions of the lock that are designed to be destroyed. In another embodiment of the invention, a sliding lock is carried by the container. The sliding lock may be carried inside the container or on the front wall of the container.



WO 02/007152 A3



**Published:**

— *with international search report*

*For two-letter codes and other abbreviations, refer to the "Guidance Notes on Codes and Abbreviations" appearing at the beginning of each regular issue of the PCT Gazette.*

**(88) Date of publication of the international search report:**

15 August 2002

## INTERNATIONAL SEARCH REPORT

International Application No  
PCT/US 01/22476

## A. CLASSIFICATION OF SUBJECT MATTER

IPC 7 E05B73/00 G11B23/023

According to International Patent Classification (IPC) or to both national classification and IPC

## B. FIELDS SEARCHED

Minimum documentation searched (classification system followed by classification symbols)

IPC 7 E05B E05C B65D

Documentation searched other than minimum documentation to the extent that such documents are included in the fields searched

Electronic data base consulted during the international search (name of data base and, where practical, search terms used)

EPO-Internal

## C. DOCUMENTS CONSIDERED TO BE RELEVANT

Category °	Citation of document, with indication, where appropriate, of the relevant passages	Relevant to claim No.
X A	WO 00 17877 A (BAGNALL MARK DANIEL ;CARLING POINT LIMITED (GB); EATON NEIL ADRIAN) 30 March 2000 (2000-03-30) the whole document	1-5, 12-14,26  6,7, 9-11,18, 19,27
X A	US 5 944 185 A (BELDEN JR DENNIS D ET AL) 31 August 1999 (1999-08-31) cited in the application the whole document	1-7, 12-14, 20,21,27 9,11,15, 16,19,26
X	EP 0 589 551 A (ALPHA ENTERPRISES INC) 30 March 1994 (1994-03-30)  figures 1-10B	1-3, 12-14, 20,21, 26,27
	-/--	

 Further documents are listed in the continuation of box C. Patent family members are listed in annex.

° Special categories of cited documents :

"A" document defining the general state of the art which is not considered to be of particular relevance

"E" earlier document but published on or after the international filing date

"L" document which may throw doubts on priority claim(s) or which is cited to establish the publication date of another citation or other special reason (as specified)

"O" document referring to an oral disclosure, use, exhibition or other means

"P" document published prior to the international filing date but later than the priority date claimed

"T" later document published after the international filing date or priority date and not in conflict with the application but cited to understand the principle or theory underlying the invention

"X" document of particular relevance; the claimed invention cannot be considered novel or cannot be considered to involve an inventive step when the document is taken alone

"Y" document of particular relevance; the claimed invention cannot be considered to involve an inventive step when the document is combined with one or more other such documents, such combination being obvious to a person skilled in the art.

"&amp;" document member of the same patent family

Date of the actual completion of the international search

22 May 2002

Date of mailing of the international search report

29.05.2002

Name and mailing address of the ISA

European Patent Office, P.B. 5818 Patentlaan 2  
NL - 2280 HV Rijswijk  
Tel. (+31-70) 340-2040, Tx. 31 651 epo nl,  
Fax: (+31-70) 340-3016

Authorized officer

PEREZ MENDEZ, J

## INTERNATIONAL SEARCH REPORT

International Application No

PCT/US 01/22476

C.(Continuation) DOCUMENTS CONSIDERED TO BE RELEVANT		
Category °	Citation of document, with indication, where appropriate, of the relevant passages	Relevant to claim No.
X	EP 0 483 422 A (FOTHERINGHAM SCOTT M ;FOTHERINGHAM ROBIN H (CA)) 6 May 1992 (1992-05-06)	1,2,12, 26,27
A	figures 1,2	15,16, 18,19
	---	
X	WO 90 04548 A (MW TRADING APS) 3 May 1990 (1990-05-03)	1,4,20
	figures 1-4	
	---	
A	US 5 375 708 A (WITTMAN BOYD) 27 December 1994 (1994-12-27)	18
	figure 1	
	---	
A	US 5 988 376 A (LAX MICHAEL) 23 November 1999 (1999-11-23)	18
	figure 18	
	---	
X	US 4 658 955 A (EICHNER FALK J) 21 April 1987 (1987-04-21)	1,2,4-6, 12-14, 21-26, 28,30,31
	the whole document	29
	---	
Y	US 5 133 470 A (ABRAMS ROBERT S ET AL) 28 July 1992 (1992-07-28)	29
A	column 4, line 10 -column 5, line 11; figures 1-14	28,30,31
	---	
X	US 4 567 983 A (MORRIS WILLIAM L) 4 February 1986 (1986-02-04)	28-31
	column 4, line 1 - line 16; claim 3; figures 1-12	
	---	
A	US 4 381 836 A (RIVKIN ERIC M ET AL) 3 May 1983 (1983-05-03)	23,24,30
	column 3, line 48 - line 60	
	---	
A	US 5 039 982 A (BRÜHWILER OTHMAR) 13 August 1991 (1991-08-13)	28,31
	column 3, line 40 -column 4, line 2; figure 3	
	---	
A	NL 1 000 900 C (PSN HOLDING BV) 31 January 1997 (1997-01-31)	28-31
	figures 1-7	
	-----	

**INTERNATIONAL SEARCH REPORT**

International application No.  
PCT/US 01/22476

**Box I Observations where certain claims were found unsearchable (Continuation of item 1 of first sheet)**

This International Search Report has not been established in respect of certain claims under Article 17(2)(a) for the following reasons:

- 1.  Claims Nos.:  
because they relate to subject matter not required to be searched by this Authority, namely:
  
- 2.  Claims Nos.:  
because they relate to parts of the International Application that do not comply with the prescribed requirements to such an extent that no meaningful International Search can be carried out, specifically:
  
- 3.  Claims Nos.:  
because they are dependent claims and are not drafted in accordance with the second and third sentences of Rule 6.4(a).

**Box II Observations where unity of invention is lacking (Continuation of item 2 of first sheet)**

This International Searching Authority found multiple inventions in this international application, as follows:

see additional sheet

- 1.  As all required additional search fees were timely paid by the applicant, this International Search Report covers all searchable claims.
  
- 2.  As all searchable claims could be searched without effort justifying an additional fee, this Authority did not invite payment of any additional fee.
  
- 3.  As only some of the required additional search fees were timely paid by the applicant, this International Search Report covers only those claims for which fees were paid, specifically claims Nos.:
  
- 4.  No required additional search fees were timely paid by the applicant. Consequently, this International Search Report is restricted to the invention first mentioned in the claims; it is covered by claims Nos.:

**Remark on Protest**

- The additional search fees were accompanied by the applicant's protest.
- No protest accompanied the payment of additional search fees.

FURTHER INFORMATION CONTINUED FROM PCT/ISA/ 210

This International Searching Authority found multiple (groups of) inventions in this international application, as follows:

1. Claims: 1-21, 26, 27

Container comprising a base, a lid and a lock, wherein the base and lid form a lock reception cavity for disposing the lock.

2. Claims: 1, 22-25, 28-31

Container comprising a base, a lid and lock, and method for unlocking the same, wherein the lock includes first and second portions which can be easily separated to unlock the lock.

## INTERNATIONAL SEARCH REPORT

Information on patent family members

International Application No

PCT/US 01/22476

Patent document cited in search report		Publication date	Patent family member(s)	Publication date
WO 0017877	A	30-03-2000	AU 5877599 A EP 1145246 A2 WO 0017877 A2	10-04-2000 17-10-2001 30-03-2000
US 5944185	A	31-08-1999	EP 1031691 A1 US 6135280 A US 2002046963 A1 US 2002011426 A1	30-08-2000 24-10-2000 25-04-2002 31-01-2002
EP 0589551	A	30-03-1994	US 5375712 A DE 69307978 D1 DE 69307978 T2 EP 0589551 A1 MX 9304481 A1	27-12-1994 20-03-1997 05-06-1997 30-03-1994 31-03-1994
EP 0483422	A	06-05-1992	EP 0483422 A1 US 4966020 A	06-05-1992 30-10-1990
WO 9004548	A	03-05-1990	AU 4423289 A ES 2030319 A6 SE 8803850 A WO 9004548 A1 SE 8902622 A	14-05-1990 16-10-1992 27-10-1988 03-05-1990 28-04-1990
US 5375708	A	27-12-1994	EP 0679784 A1 JP 7291336 A	02-11-1995 07-11-1995
US 5988376	A	23-11-1999	US 5730283 A US 5768922 A WO 9702569 A1	24-03-1998 23-06-1998 23-01-1997
US 4658955	A	21-04-1987	DE 8416122 U1 DE 3562472 D1 EP 0163023 A2	26-09-1985 09-06-1988 04-12-1985
US 5133470	A	28-07-1992	US 5012941 A AT 138871 T AU 7176791 A DE 69120055 D1 EP 0509039 A1 FI 922771 A JP 5502845 T WO 9110602 A1	07-05-1991 15-06-1996 05-08-1991 11-07-1996 21-10-1992 16-06-1992 20-05-1993 25-07-1991
US 4567983	A	04-02-1986	US 4572369 A	25-02-1986
US 4381836	A	03-05-1983	NONE	
US 5039982	A	13-08-1991	CH 679708 A5 EP 0400423 A2 JP 3040198 A	31-03-1992 05-12-1990 20-02-1991
NL 1000900	C	31-01-1997	NL 1000900 C1	31-01-1997