



US00D621287S

(12) **United States Design Patent**  
**Kaneko et al.**

(10) **Patent No.:** **US D621,287 S**

(45) **Date of Patent:** **\*\* Aug. 10, 2010**

(54) **FIRE DETECTOR**

D271,670 S \* 12/1983 Takai et al. .... D10/106  
D422,521 S \* 4/2000 Morrow ..... D10/106

(75) Inventors: **Hiroshi Kaneko**, Tokyo (JP); **Kazuyoshi Sakurai**, Tokyo (JP); **Nobuyuki Akiyama**, Tokyo (JP); **Akihisa Kudoh**, Tokyo (JP)

\* cited by examiner

*Primary Examiner*—Caron Veynar

*Assistant Examiner*—George D Kirschbaum

(74) *Attorney, Agent, or Firm*—Young & Thompson

(73) Assignee: **Nittan Company, Limited**, Tokyo (JP)

(\*\*) Term: **14 Years**

(57) **CLAIM**

(21) Appl. No.: **29/325,841**

The ornamental design for a fire detector, as shown and described.

(22) Filed: **Oct. 7, 2008**

(30) **Foreign Application Priority Data**

**DESCRIPTION**

Apr. 11, 2008 (JP) ..... 2008-009288

FIG. 1 is a perspective view of the front, right and top of a fire detector showing my new design;

(51) **LOC (9) Cl.** ..... **10-05**

FIG. 2 is a front view thereof;

(52) **U.S. Cl.** ..... **D10/106**

FIG. 3 is a rear view thereof;

(58) **Field of Classification Search** ..... D10/46,

FIG. 4 is a left side view thereof, a right side view being a mirror image thereof; and,

D10/104, 106; 340/544, 545, 555, 558, 571–573  
See application file for complete search history.

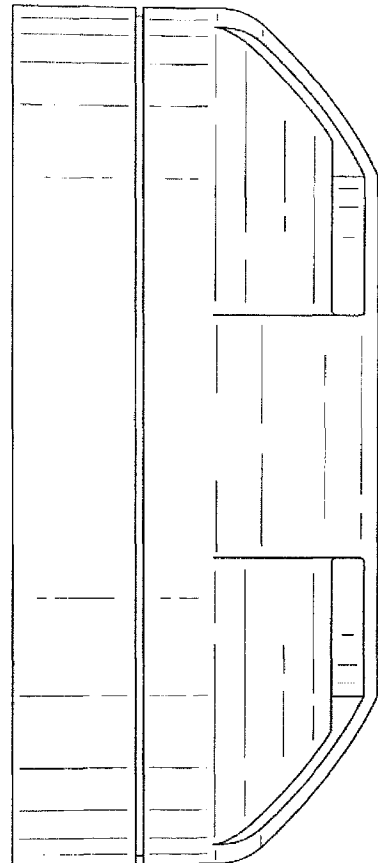
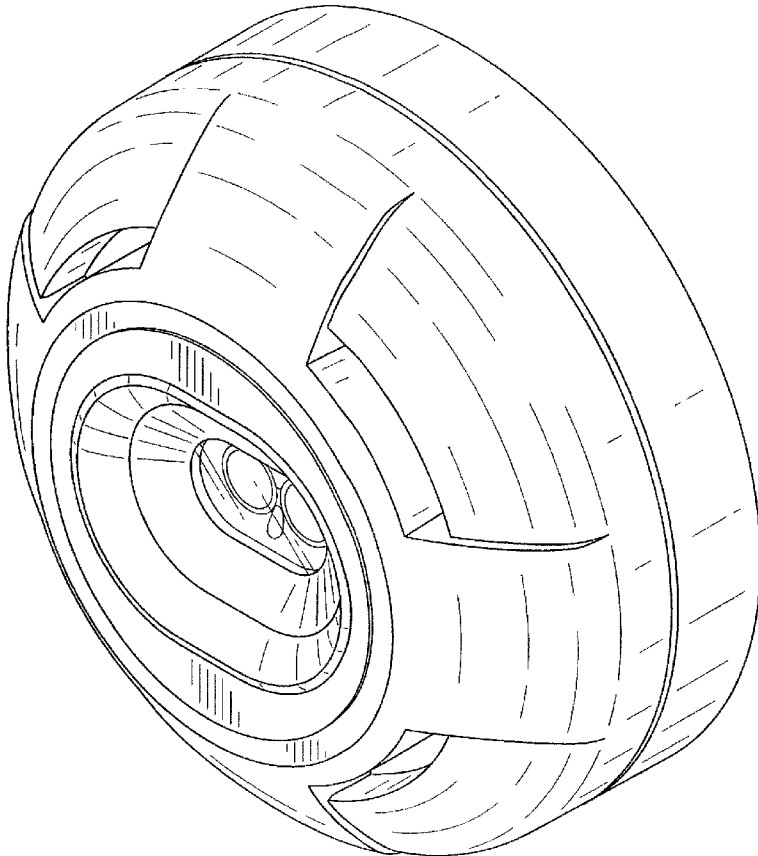
FIG. 5 is a top plan view thereof, a bottom view being a mirror image thereof.

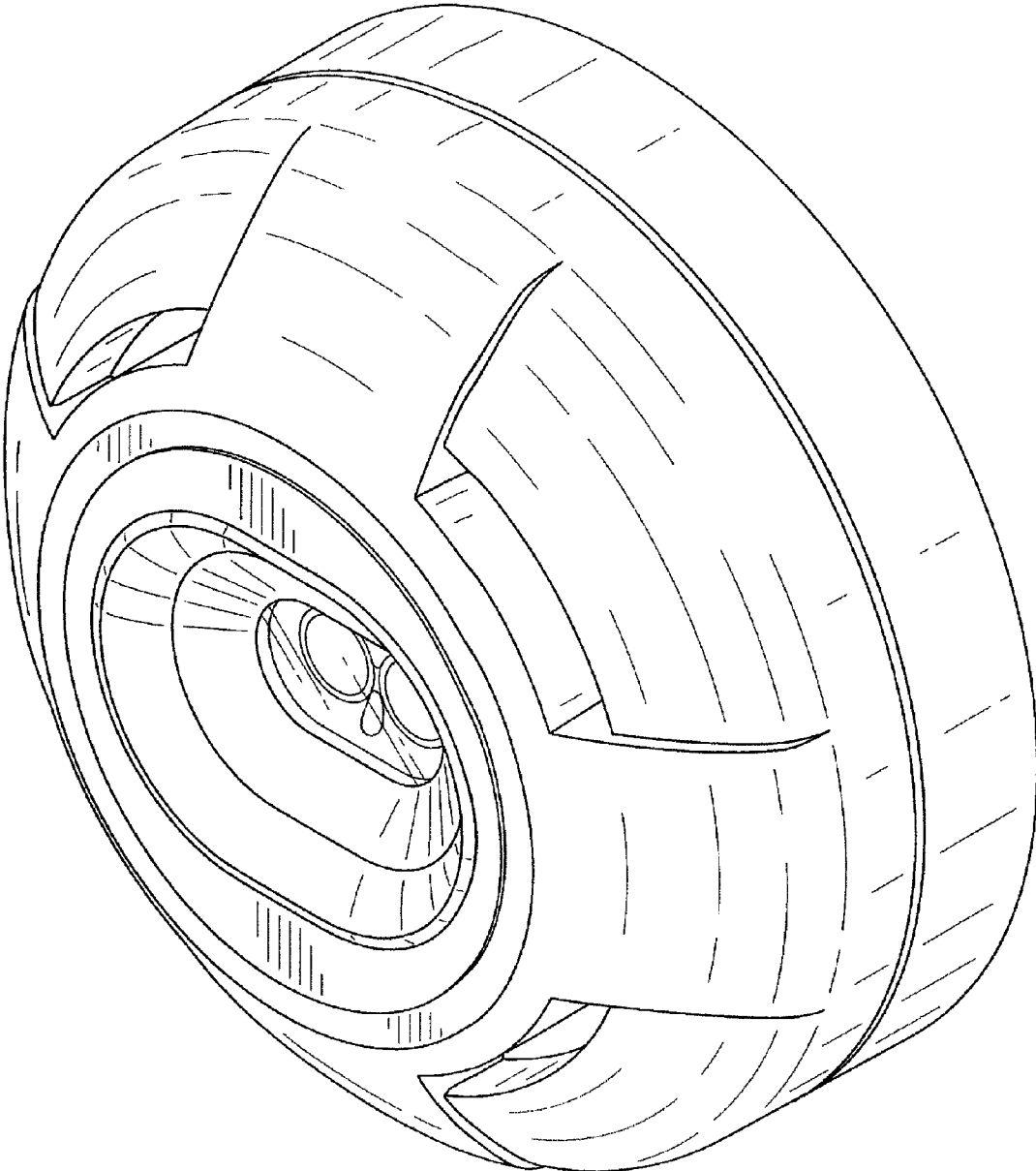
(56) **References Cited**

**U.S. PATENT DOCUMENTS**

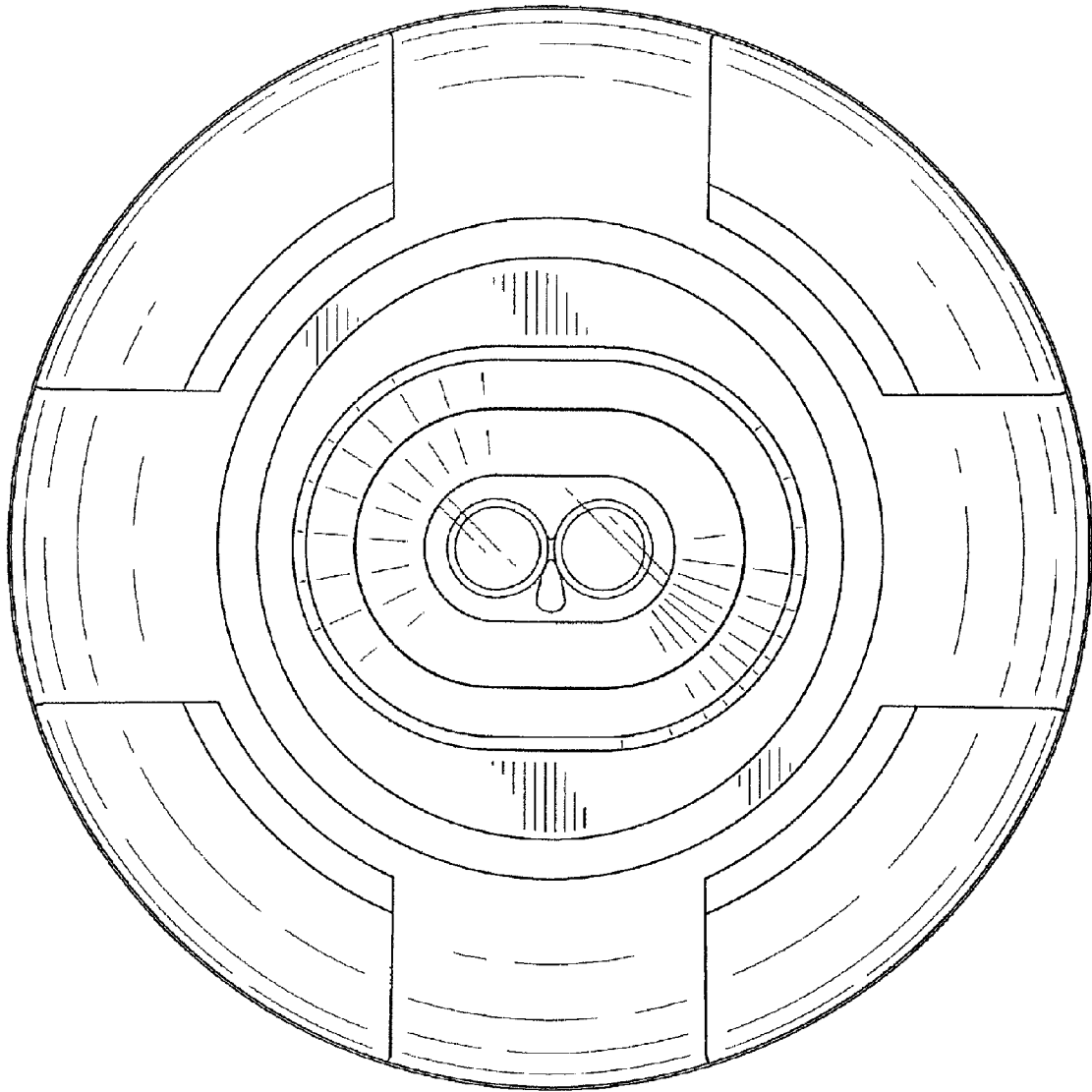
4,238,788 A \* 12/1980 Rosauer et al. .... 340/515

**1 Claim, 5 Drawing Sheets**

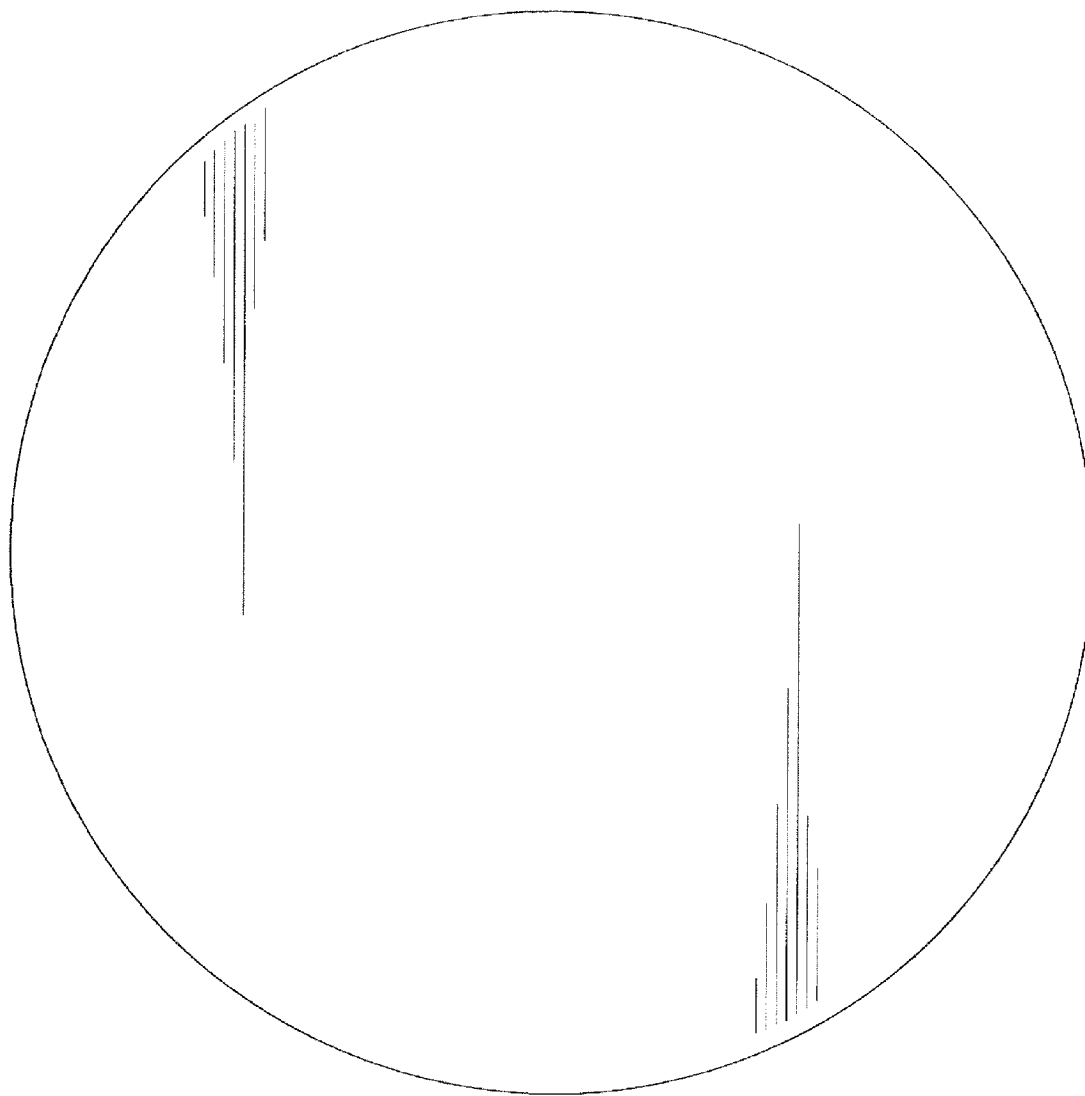




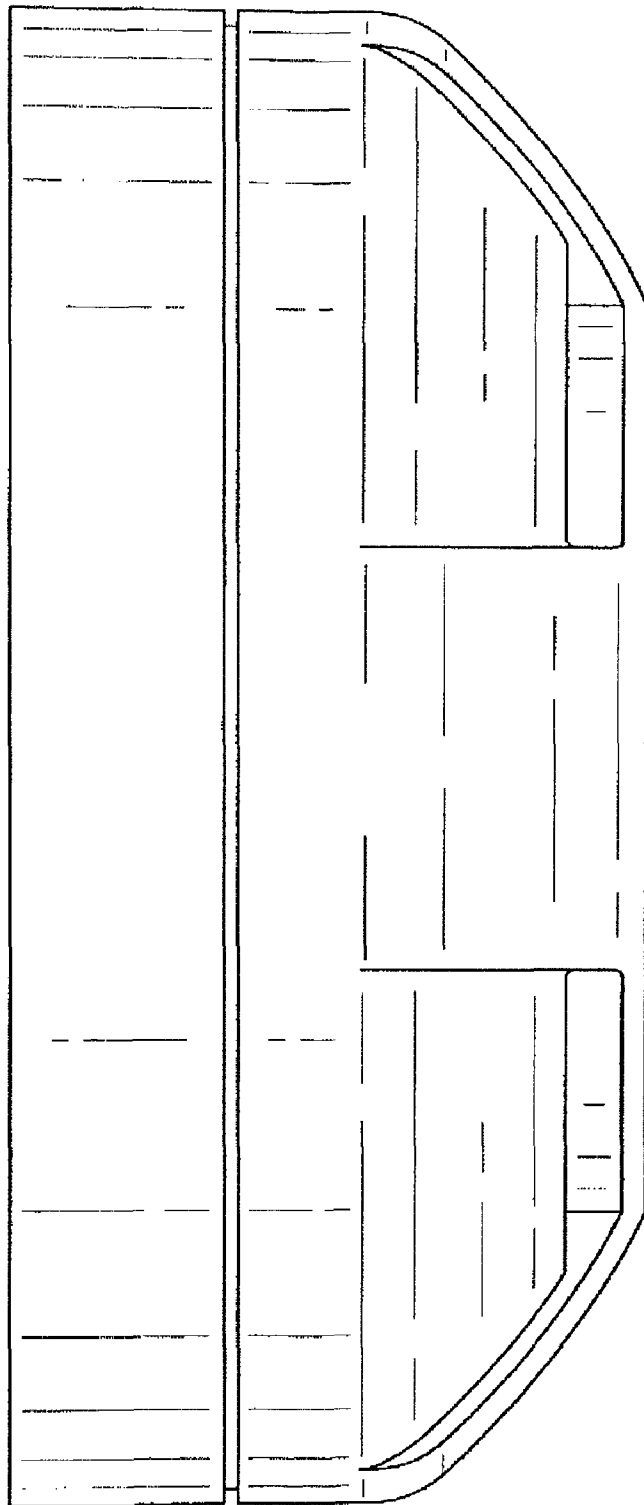
*FIG. 1*



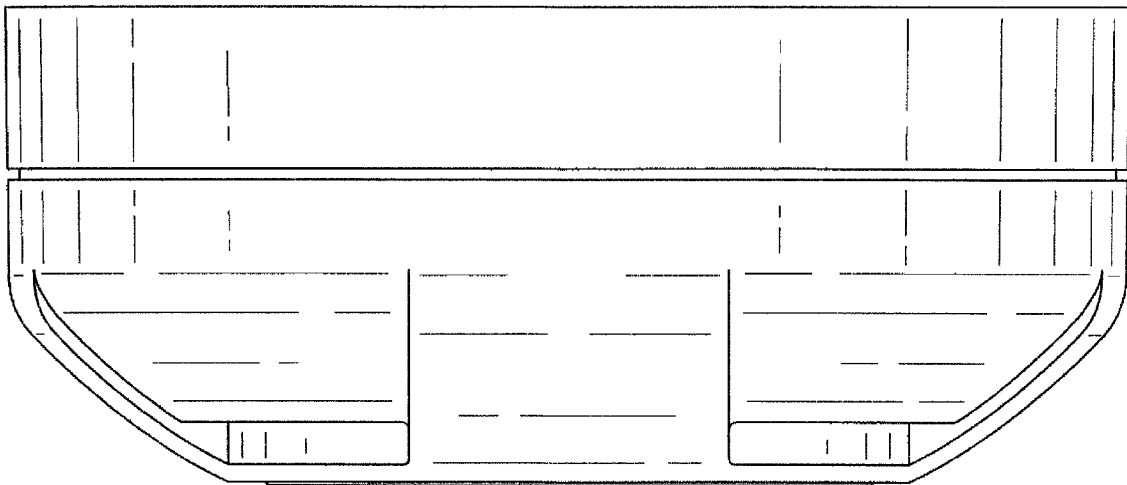
*FIG. 2*



*FIG. 3*



*FIG. 4*



*FIG. 5*