



US00D674875S

(12) **United States Design Patent**  
**Spangler**

(10) **Patent No.:** **US D674,875 S**

(45) **Date of Patent:** **\*\* Jan. 22, 2013**

(54) **SHOWERHEAD**

*Primary Examiner* — Robin V Webster

(75) **Inventor:** **Anthony Spangler**, Indianapolis, IN (US)

(74) *Attorney, Agent, or Firm* — Edgar A. Zarins; Nirav D. Parikh; Lora J. Graentzdoerffer

(73) **Assignee:** **Masco Corporation of Indiana**, Indianapolis, IN (US)

(57) **CLAIM**

(\*\*) **Term:** **14 Years**

The ornamental design for a showerhead, as shown and described.

(21) **Appl. No.:** **29/418,010**

(22) **Filed:** **Apr. 11, 2012**

(51) **LOC (9) Cl.** ..... **23-01**

(52) **U.S. Cl.** ..... **D23/213**

(58) **Field of Classification Search** ..... D23/213,  
D23/223, 226, 229, 230, 228; 4/615; 239/282–283,  
239/462

See application file for complete search history.

**DESCRIPTION**

FIG. 1 is a perspective view of a showerhead showing my new design;

FIG. 2 is a rear view thereof;

FIG. 3 is a first side view thereof;

FIG. 4 is a second view thereof;

FIG. 5 is a top plan view thereof;

FIG. 6 is a bottom view thereof; and,

FIG. 7 is a front view thereof.

The broken line showing in FIGS. 1-7 is included for the purpose of illustrating and forms no part of the claimed design.

(56) **References Cited**

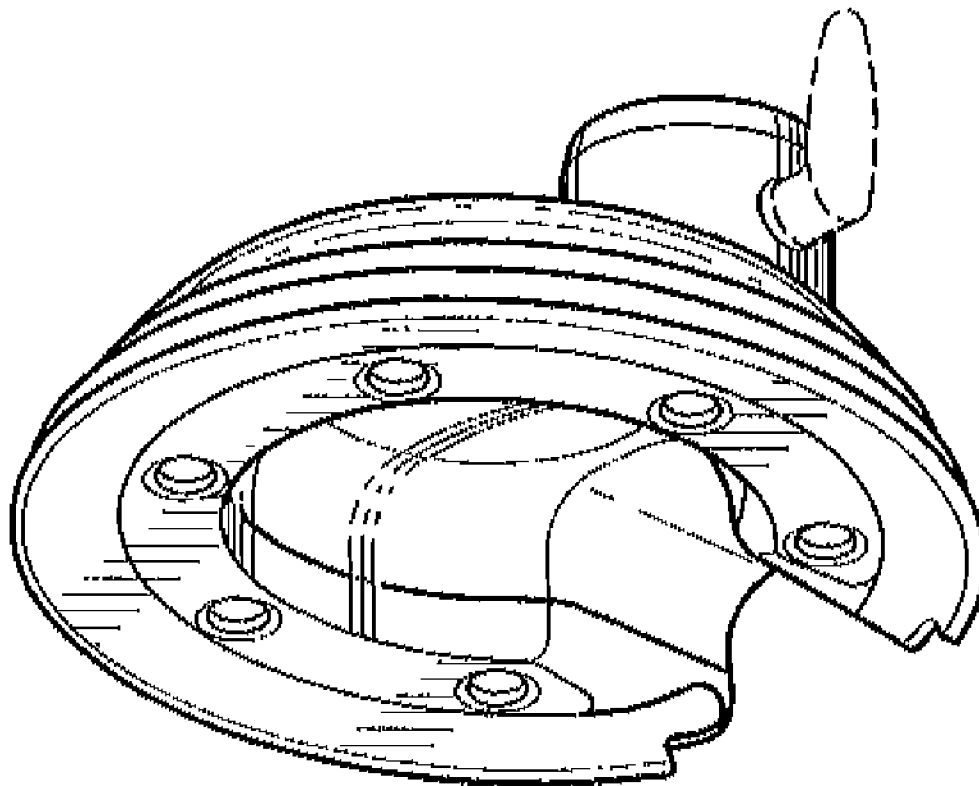
**U.S. PATENT DOCUMENTS**

D509,562 S \* 9/2005 Kobi et al. .... D23/213

D559,945 S \* 1/2008 Patterson et al. .... D23/213

\* cited by examiner

**1 Claim, 1 Drawing Sheet**



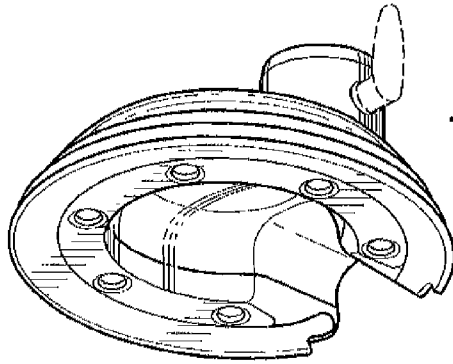


Fig-1

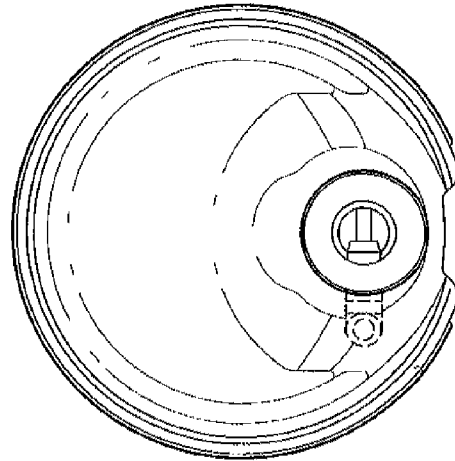


Fig-2

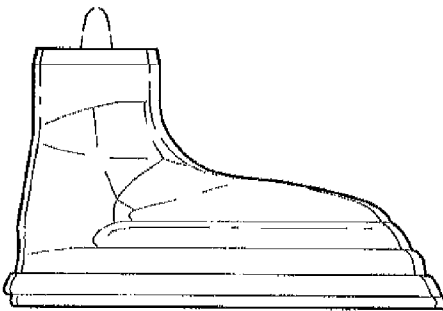


Fig-3

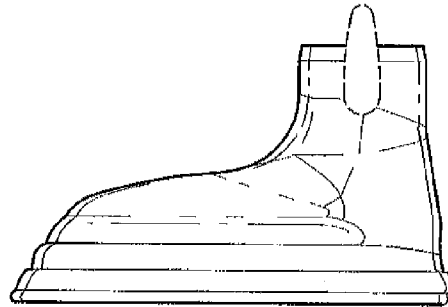


Fig-4

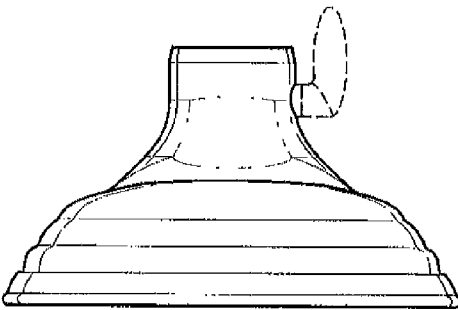


Fig-5

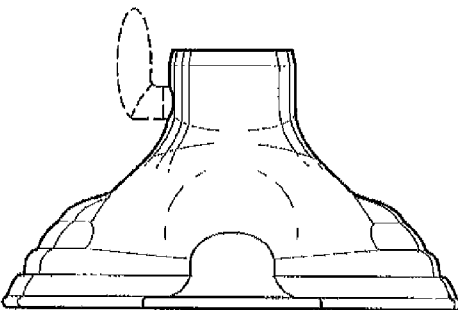


Fig-6

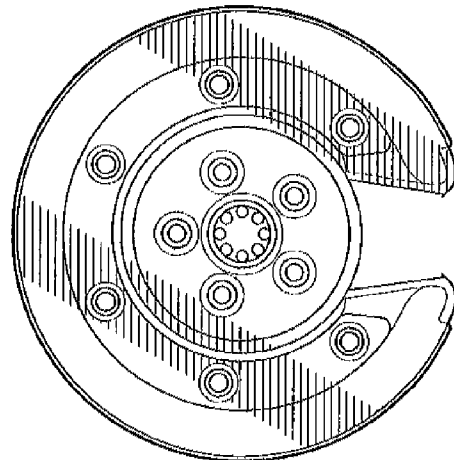


Fig-7