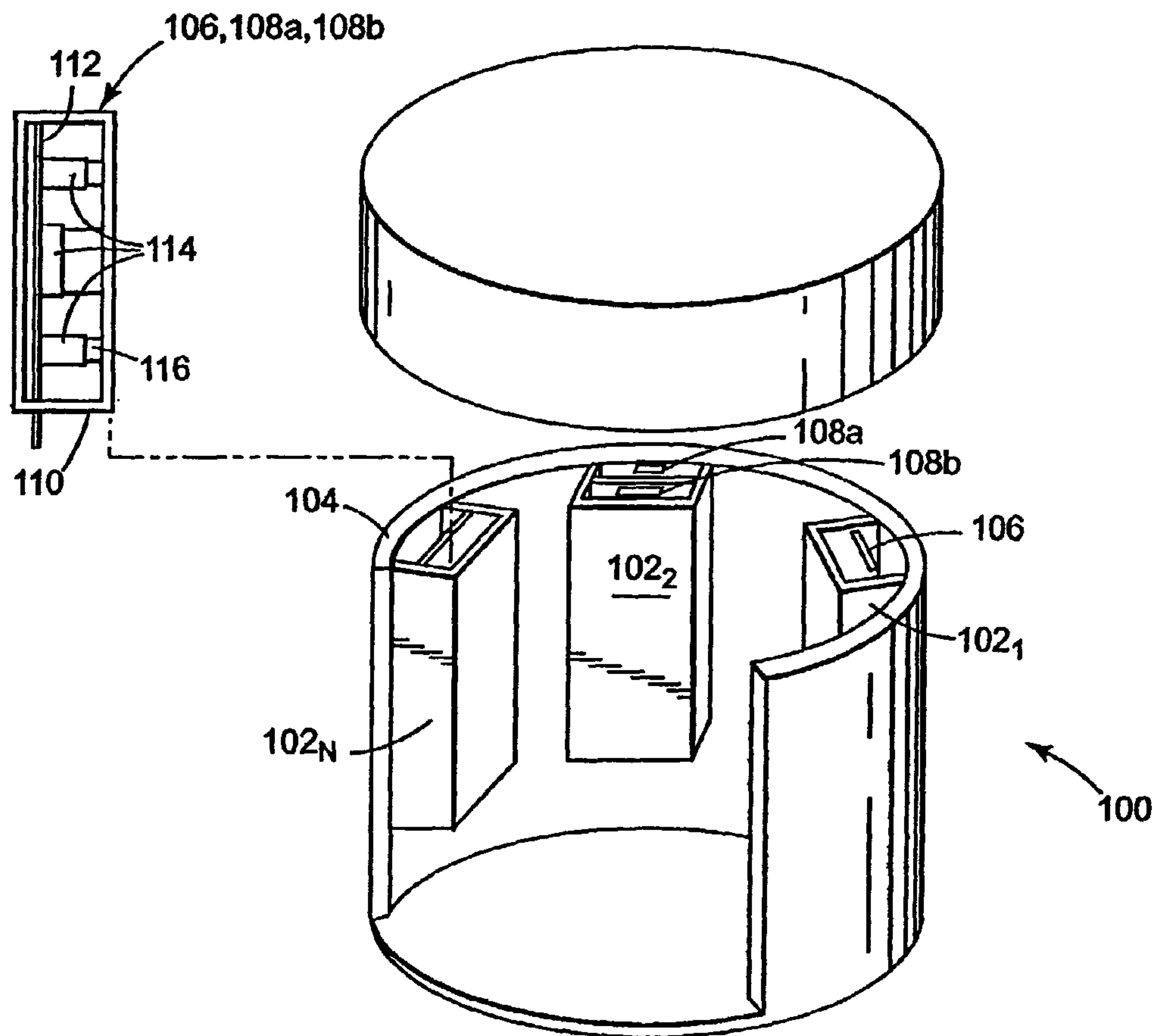




(86) Date de dépôt PCT/PCT Filing Date: 2002/07/31
 (87) Date publication PCT/PCT Publication Date: 2003/02/13
 (85) Entrée phase nationale/National Entry: 2004/01/29
 (86) N° demande PCT/PCT Application No.: US 2002/024828
 (87) N° publication PCT/PCT Publication No.: 2003/013206
 (30) Priorité/Priority: 2001/07/31 (09/918,989) US

(51) Cl.Int.⁷/Int.Cl.⁷ H05K 7/14
 (71) Demandeur/Applicant:
ADC TELECOMMUNICATIONS, INC., US
 (72) Inventeurs/Inventors:
GUSTINE, GARY, US;
HAM, CHARLES G., US;
KUSZ, MATTHEW J., US;
SAWYER, MICHAEL, US
 (74) Agent: ROBIC

(54) Titre : BOITIER DE CALAGE
 (54) Title: CLAMPING CASE



(57) Abrégé/Abstract:

In one embodiment, a case (102) for confining at least one circuit card (106, 108a, 108b) to a location within a housing (100) is provided. The case (102) has at least one slot that contains the circuit card (106, 108a, 108b). The case (102) also has at least one actuator adapted to clamp the circuit card (106, 108a, 108b) within the slot.



(12) INTERNATIONAL APPLICATION PUBLISHED UNDER THE PATENT COOPERATION TREATY (PCT)

(19) World Intellectual Property Organization
International Bureau(43) International Publication Date
13 February 2003 (13.02.2003)

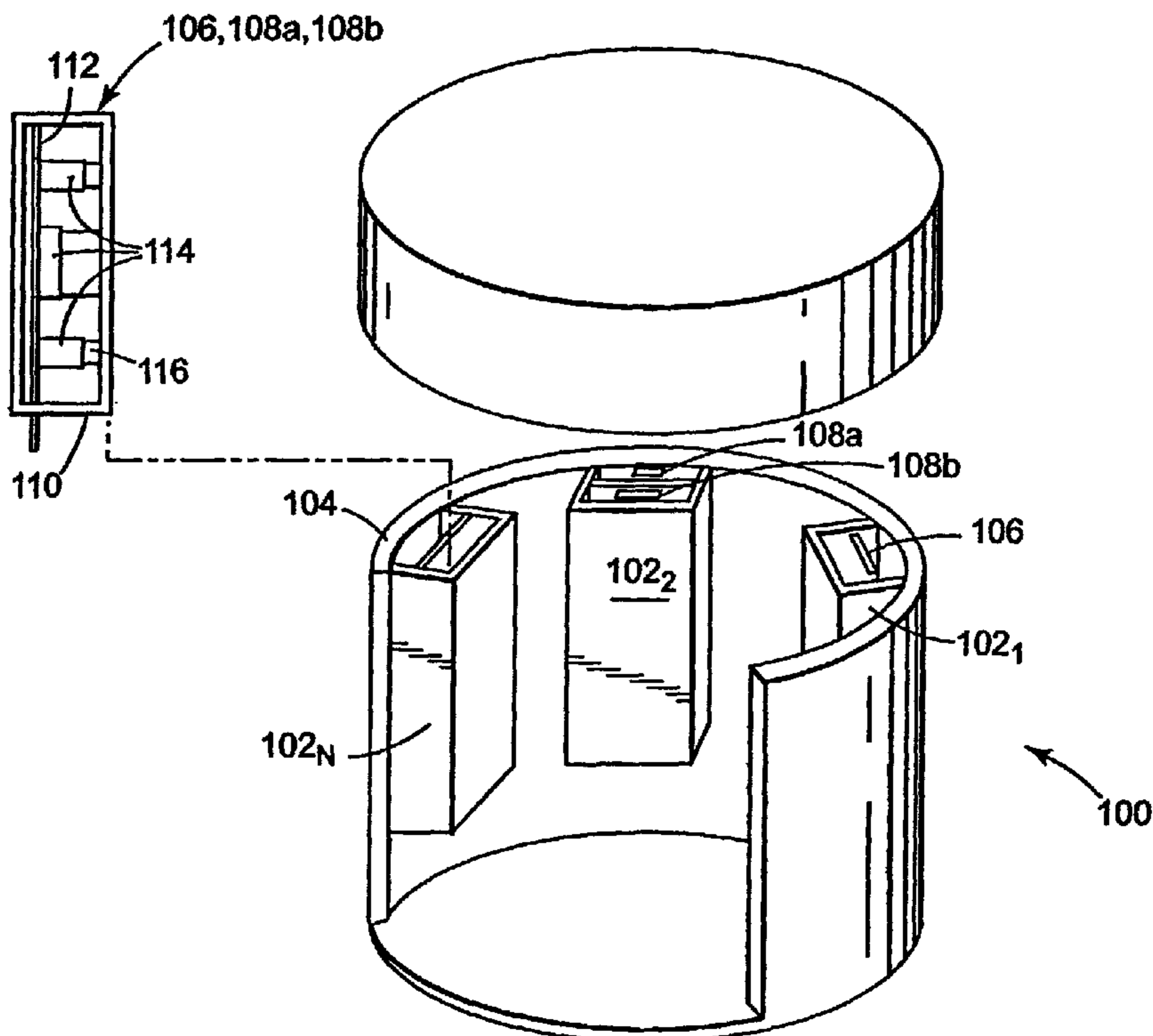
PCT

(10) International Publication Number
WO 03/013206 A1

- (51) International Patent Classification⁷: H05K 7/14 (74) Agent: MYRUM, Tod, A.; Fogg Slifer Polglaze Leffert & Jay, P.A., P.O. Box 581009, Minneapolis, MN 55458-1009 (US).
- (21) International Application Number: PCT/US02/24828
- (22) International Filing Date: 31 July 2002 (31.07.2002) (81) Designated States (*national*): AE, AG, AL, AM, AT, AU, AZ, BA, BB, BG, BR, BY, BZ, CA, CH, CN, CO, CR, CU, CZ, DE, DK, DM, DZ, EC, EE, ES, FI, GB, GD, GE, GH, GM, HR, HU, ID, IL, IN, IS, JP, KE, KG, KP, KR, KZ, LC, LK, LR, LS, LT, LU, LV, MA, MD, MG, MK, MN, MW, MX, MZ, NO, NZ, OM, PH, PL, PT, RO, RU, SD, SE, SG, SI, SK, SL, TJ, TM, TN, TR, TT, TZ, UA, UG, UZ, VN, YU, ZA, ZM, ZW.
- (25) Filing Language: English
- (26) Publication Language: English
- (30) Priority Data:
09/918,989 31 July 2001 (31.07.2001) US
- (71) Applicant: ADC TELECOMMUNICATIONS, INC. [US/US]; 13625 Technology Drive, Eden Prairie, MN 55344 (US). (84) Designated States (*regional*): ARIPO patent (GH, GM, KE, LS, MW, MZ, SD, SL, SZ, TZ, UG, ZM, ZW), Eurasian patent (AM, AZ, BY, KG, KZ, MD, RU, TJ, TM), European patent (AT, BE, BG, CH, CY, CZ, DE, DK, EE, ES, FI, FR, GB, GR, IE, IT, LU, MC, NL, PT, SE, SK, TR), OAPI patent (BF, BJ, CF, CG, CI, CM, GA, GN, GQ, GW, ML, MR, NE, SN, TD, TG).
- (72) Inventors: GUSTINE, Gary; Route 1 Box 284A-7, Bonham, TX 75418 (US). HAM, Charles, G.; 4717 Hampton Road, Mound, MN 55364 (US). KUSZ, Matthew, J.; 4348 34th Avenue South, Minneapolis, MN 55406 (US). SAWYER, Michael; 812 Riverchase Boulevard, Madison, TN 37115 (US). Published:
— with international search report

[Continued on next page]

(54) Title: CLAMPING CASE



(57) Abstract: In one embodiment, a case (102) for confining at least one circuit card (106, 108a, 108b) to a location within a housing (100) is provided. The case (102) has at least one slot that contains the circuit card (106, 108a, 108b). The case (102) also has at least one actuator adapted to clamp the circuit card (106, 108a, 108b) within the slot.



WO 03/013206 A1

WO 03/013206 A1



— *before the expiration of the time limit for amending the claims and to be republished in the event of receipt of amendments*

For two-letter codes and other abbreviations, refer to the "Guidance Notes on Codes and Abbreviations" appearing at the beginning of each regular issue of the PCT Gazette.

CLAMPING CASE**CROSS RELATED APPLICATION**

This application is related to co-pending application Serial No. 09/919,006 (Attorney Docket No. 100.216US01) entitled CLAMPING RECEPTACLE and filed on July 31, 2001.

TECHNICAL FIELD

The present invention relates generally to the field of cases that contain circuit cards and, in particular, to cases that clamp circuit cards within them.

BACKGROUND

Environmentally protected housings are used in a wide variety of applications, including containing and protecting electronic components of the type used for transferring signals over long distances. For example, the telecommunications industry transfers signals over transmission lines. If the signal is transferred over a long distance, the signal may be too weak by the time it reaches its destination to be useful. Consequently, electronic circuits are used to detect, clean up, and amplify a weak signal for retransmission through another length of transmission line. These electronic circuits are often deployed in environmentally protected housings located above and below ground.

Increased demands on the telecommunications industry, such as the advent of HDSL, HDSL2, SHDSL, etc., to meet the increasing needs of internet subscribers has resulted in the need to transfer more and stronger electrical signals over greater distances. One way of accomplishing this is to amplify the signals using electronic circuit cards deployed in environmentally protected housings. To meet the need for transferring stronger electrical signals over greater distances, electronic circuit cards having higher amplification capabilities, and thus greater heat dissipation rates, than the past generations of circuit cards are frequently used.

Many of the environmentally protected housings use cases, or receptacles, to confine circuit cards to different locations within the housings. Typically, these cases are thermally conducting and are thermally coupled to the housing to increase the heat transfer from the circuit cards. However, in many instances, gaps exist between the cases and the circuit cards. These gaps produce relatively large thermal resistances and severely limit heat

transfer from the circuit cards. In many instances, this results in thermal failure of the circuit cards.

For the reasons stated above, and for other reasons stated below which will become apparent to those skilled in the art upon reading and understanding the present specification, there is a need in the art for eliminating gaps that exist between circuit cards and the cases that confine these circuit cards to different locations within a housing.

SUMMARY

The above-mentioned problems with gaps that exist between circuit cards and the cases that confine these circuit cards to different locations within a housing and other problems are addressed by embodiments of the present invention and will be understood by reading and studying the following specification. Embodiments of the present invention provide cases that clamp circuit cards within them to improve the thermal contact between the circuit cards and the cases.

More particularly, in one embodiment, a case for confining at least one circuit card to a location within a housing is provided. The case has at least one slot that contains the circuit card. The case also has at least one actuator adapted to clamp the circuit card within the slot.

In another embodiment, a case for confining a pair of circuit cards to different locations within a housing is provided. The case has a pair of opposing sidewalls and first and second end walls. A partition is disposed between the first and second end walls. The partition divides the case into a first slot bounded by a portion of each of the sidewalls, the partition, and the first end wall and a second slot bounded by another portion of each of the sidewalls, the partition, and the second end wall. The first and second slots each contain one of the circuit cards. An actuator is disposed in the first slot between the circuit card in the first slot and the first end wall. The actuator is adapted to bear against the circuit card in the first slot to clamp the circuit card in the first slot, the partition, and the circuit card in the second slot between the actuator and the second end wall.

Other embodiments are described and claimed.

BRIEF DESCRIPTION OF THE DRAWINGS

Figure 1 illustrates an environmentally protected housing according to the teachings of the present invention.

Figure 2 is an enlarged illustration of a circuit card of the type typically housed in environmentally protected housings.

Figure 3 is a top view of an embodiment of a case of the present invention for confining circuit cards to different locations within an environmentally protected housing.

Figure 4 is a top view of an embodiment of a case of the present invention that uses a wedge to clamp circuit cards within the case.

Figure 5 is a side view of an embodiment of the wedge of Figure 4 taken along the line 5-5 of Figure 4.

Figure 6 is a side view of an embodiment of the wedge in Figures 4 and 5 taken line 6-6 of Figure 5.

Figure 7 is a top view of another embodiment of a case of the present invention that uses a wedge for clamping a circuit card within the case.

Figure 8 is a top view of an embodiment of a case of the present invention that uses a cam to clamp circuit cards within the case.

Figure 9 is a side view illustrating an embodiment of a cam used for clamping circuit cards within a case.

Figure 10 is an enlarged view of a cam.

Figure 11 is a side view illustrating another embodiment of a cam used for clamping circuit cards within a case.

Figure 12 is an isometric view of an embodiment of a device that uses resilient elements for clamping circuit cards within a case.

Figure 13 is a front view of Figure 12.

Figure 14 is a side view of resilient elements engaging a circuit card.

Figure 15 is a top view of another embodiment of a case of the present invention that uses a cam for clamping a circuit card within the case.

Figure 16 is a top view of an embodiment of a case of the present invention that has a frame and that uses cams for clamping several circuit cards within the frame.

Figure 17 is an enlarged view of region 1675 of Figure 16.

Figure 18 is a top view of an embodiment of a case of the present invention that has a pair of frames and that uses cams for clamping several circuit cards within the frames.

Figure 19 is an exploded isometric view of an embodiment of a case of the present invention that has a pair of frames and that uses resilient elements for clamping several circuit cards within the frames.

Figure 20 is an isometric view illustrating an embodiment of a case positioned within a housing.

DETAILED DESCRIPTION

In the following detailed description, reference is made to the accompanying drawings that form a part hereof, and in which is shown by way of illustration specific illustrative embodiments in which the invention may be practiced. These embodiments are described in sufficient detail to enable those skilled in the art to practice the invention, and it is to be understood that other embodiments may be utilized and that logical, mechanical and electrical changes may be made without departing from the spirit and scope of the present invention. The following detailed description is, therefore, not to be taken in a limiting sense.

Figure 1 shows an environmentally protected housing 100 according to the teachings of the present invention. Housing 100 has several cases 102_1 to 102_N that are thermally coupled to the interior surface of wall 104 of housing 100. Each case 102_1 to 102_N is adapted to receive either a single circuit card, such as circuit card 106, or a pair of circuit cards, such as circuit cards 108a and 108b.

Figure 2 is an enlarged view of a circuit card, such as circuit card 106, 108a, or 108b. In some instances, circuit card 106, 108a, or 108b includes a thermally conducting case 110 that encloses circuit board 112. Circuit board 112 includes components 114 that are frequently thermally coupled to thermally conducting case 110 by a thermal interface material 116.

Figure 3 is an enlarged top view of a case 102 containing a pair of circuit cards 108a and 108b. Case 102 has end walls 118 and 120, sidewalls 122 and 124, and partition

126 that are typically fabricated from a thermally conducting material such as aluminum, copper, brass, bronze, or the like. Case 102 is thermally coupled at end wall 118 to the interior surface of wall 104 of housing 100 by a heat-sink device 128 that conforms to the contour of the interior surface of wall 104. In one embodiment heat-sink device 128 is a solid block of material having thermal properties suitable for heat sinks, e.g., copper, aluminum, brass, bronze, or the like.

Normally, relatively intimate thermal contact exists between circuit cards 108a and 108b and sidewalls 122 and 124, enabling a portion of the heat dissipated by circuit cards 108a and 108b to be transferred to sidewalls 122 and 124. This portion of the heat is then conducted through sidewalls 122 and 124 into heat-sink device 128.

On the other hand, gaps 130 and 132 respectively exist between circuit cards 108a and 108b and partition 126, and gaps 134 and 136 respectively exist between circuit cards 108a and 108b and end walls 118 and 120, as shown in Figure 3. Another portion of the heat dissipated by circuit card 108a is conducted and radiated to partition 126 and end wall 118 across the gaps 130 and 134, respectively. Another portion of the heat dissipated by circuit card 108b is conducted and radiated to partition 126 and end wall 120 across the gaps 132 and 136, respectively. Heat conducted and radiated to end wall 118 is conducted through end wall 118 into heat-sink device 128. Heat conducted and radiated to partition 126 and end wall 120 is respectively conducted through partition 126 and end wall 120 into sidewalls 122 and 124, which conduct the heat to heat-sink device 128.

Unfortunately, the respective gaps produce relatively large thermal resistances and severely limit the total heat transfer from circuit cards 108a and 108b to case 102. In many instances, this results in thermal failure of circuit cards 108a and 108b.

Embodiments of the present invention provide cases that clamp circuit cards within them to improve the thermal contact between the circuit cards and the cases. This substantially increases the heat transfer from circuit cards relative to the heat transfer from circuit cards that occurs when the circuit cards are not clamped within the cases, thus reducing the risk of thermal failure. In various embodiments, an actuator, such as a wedge, cam, resilient elements, or the like clamps the circuit cards within the cases.

Case 400, illustrated in Figures 4-6, is one embodiment of the present invention. Figure 4 is a top view of case 400, Figure 5 a side view taken along the line 5-5 in Figure 4,

and Figure 6 a view taken along the line 6-6 of Figure 4. Embodiments of the present invention provide cases that clamp circuit cards within them to improve the thermal contact between the circuit cards and the cases. Case 400 is used to confine circuit cards, e.g., circuit cards 408a and 408b to particular locations within an environmentally protected housing, e.g., environmentally protected housing 401. In one embodiment, circuit cards 408a and 408b are similar to circuit cards 108a and 108b and environmentally protected housing 401 is similar to housing 100. In one embodiment, case 400 confines circuit cards 408a and 408b to a location adjacent a wall 402 of environmentally protected housing 401. In another embodiment, a heat-sink device, such as heat-sink device 403, thermally couples case 400 to an interior surface of wall 402. In one embodiment, heat-sink device 403 is a solid block of material having thermal properties suitable for heat sinks, e.g., copper, aluminum, brass, bronze, or the like.

Case 400 has end walls 404 and 406, sidewalls 409 and 410, and partition 412. End walls 404 and 406, sidewalls 409 and 410, and partition 412, in one embodiment, are fabricated from any thermally conducting material, such as aluminum, copper, brass, bronze, or the like. Partition 412 divides case 400 into slots 414 and 416 that respectively contain circuit cards 408a and 408b.

Partition 412, in one embodiment, is in slidable contact with sidewalls 409 and 410 and can slide toward end walls 404 and 406, respectively. Circuit cards 408a and 408b, in another embodiment, are in slidable contact with sidewalls 409 and 410 and can slide toward end walls 404 and 406, respectively. In other embodiments, thermally conducting grease is disposed between partition 412 and sidewalls 409 and 410 and/or between circuit cards 408a and 408b and sidewalls 409 and 410. The thermally conducting grease increases the thermal contact, and thus the heat transfer, between the partition 412 and sidewalls 409 and 410 and/or between circuit cards 408a and 408b and sidewalls 409 and 410. When circuit cards 408a and 408b are respectively inserted into slots 414 and 416, gaps 418 and 420 respectively exist between circuit cards 408a and 408b and partition 412 and gaps 422 and 424 respectively exist between circuit cards 408a and 408b and end walls 404 and 406, as shown in Figure 4.

Case 400 includes wedge 428 insertable into gap 424. Wedge 428, in one embodiment, is fabricated from nylon, plastic, metal, or the like. In another embodiment, wedge 428 has a tab 430, and in other embodiments, an aperture 432 passes through tab 430,

as shown in Figures 4–6. Tab 430 and aperture 432 facilitate insertion and removal of wedge 428 respectively into and from gap 424.

Wedge 428 is pressed into gap 424, causing wedge 428 to engage and to exert a force on circuit card 408b. The force slides circuit card 408b into contact with partition 412. Circuit card 408b exerts a force on partition 412 that slides partition 412 into contact with circuit card 408a. Partition 412 exerts a force on circuit card 408a that slides circuit card 408a, in one embodiment, into contact with end wall 404. This respectively closes gaps 420, 418, and 422 and clamps circuit card 408a, partition 412, circuit card 408b, and end wall 404 in direct thermal contact.

Direct thermal contact between partition 412 and circuit cards 408a and 408b substantially increases the heat transfer from circuit cards 408a and 408b to partition 412 relative to the heat transfer that occurs if gaps 418 and 420 are present. Similarly, direct thermal contact between end wall 404 and circuit card 408a substantially increases the heat transfer from circuit card 408a to end wall 404 relative to the heat transfer that occurs if gap 422 is present. Consequently, this increases the total heat transfer from circuit cards 408a and 408b to case 400, reducing the risk of thermal failure.

Figure 7 shows case 700, another embodiment of the present invention. Case 700 is used to confine circuit card, e.g., circuit card 706, to a particular location within an environmentally protected housing, e.g., environmentally protected housing 701. In one embodiment, circuit card 706 is similar to circuit card 106 and environmentally protected housing 701 is similar to housing 100. In another embodiment, case 700 confines circuit card 706 to a location adjacent a wall 702 of environmentally protected housing 701. In other embodiments, a heat-sink device, such as heat-sink device 703, thermally couples case 700 to an interior surface of wall 702. Heat-sink device 703, in one embodiment, is a solid block of material having thermal properties suitable for heat sinks, e.g., copper, aluminum, brass, bronze, or the like.

Case 700 has end walls 704 and 705 and sidewalls 708 and 710. In one embodiment, end walls 704 and 705 and sidewalls 708 and 710 are fabricated from any thermally conducting material, such as aluminum, copper, brass, bronze, or the like. Case 700 defines a slot 712 that receives a circuit card 706. Circuit card 706, in one embodiment, is in slidable contact with sidewalls 708 and 710 and can slide toward end walls 704 and 705, respectively. In one embodiment, thermally conducting grease is disposed between circuit

card 706 and sidewalls 708 and 710. When circuit card 706 is inserted into slot 712, gaps 714 and 716 respectively exist between circuit card 706 and end walls 704 and 705.

Case 700 includes wedge 728. Wedge 728 is pressed into gap 716, causing wedge 728 to engage and to exert a force on circuit card 706. The force, in one embodiment, slides circuit card 706 into direct contact with end wall 704, thereby closing gap 714 to clamp circuit card 706 and end wall 704 in direct thermal contact. In one embodiment, wedge 728 is as described for wedge 428 above.

Figure 8 illustrates case 800, another embodiment of the present invention. Elements that are common to Figures 4 and 8 are numbered as in Figure 4 and are as described above. Case 800 includes a cam 810 that is disposed within gap 424 between end wall 406 and circuit card 408b.

Cam 810, in one embodiment, is rotated from position 802 to position 804 so that a portion of cam 810 engages and exerts a force on circuit card 408b. The force slides circuit card 408b into contact with partition 412. Circuit card 408b exerts a force on partition 412 that slides partition 412 into contact with circuit card 408a. In one embodiment, partition 412 exerts a force on circuit card 408a that slides circuit card 408a into contact with end wall 404. This respectively closes gaps 420, 418, and 422 and clamps circuit card 408a, partition 412, circuit card 408b, and end wall 404 in direct thermal contact.

Cam 810, in one embodiment, is fabricated from metal, e.g., steel or aluminum, plastic, or the like. In another embodiment, serrations 812 are distributed over the curved surface of cam 810, as shown in Figure 10, which is the surface that bears against circuit card 408b. In another embodiment, serrations 812 are rubber and are molded onto cam 810. Serrations 812 improve the contact resistance between cam 810 and circuit card 408b and facilitate the clamping of circuit card 408a, partition 412, circuit card 408b between cam 810 and end wall 404. In one embodiment, cam 810 has aperture 814 passing through it for receiving a shaft, such as shaft 817 shown in Figure 9.

Figure 9 is a side view of region 850 in Figure 8 corresponding to one embodiment of case 800. As seen in Figure 9, cam 810 is rotatably attached to end wall 406 using a bracket 816 and a shaft 817. Bracket 816 includes protrusions 818 and 820, respectively having apertures 824 and 826 passing therethrough. Cam 810 is rotatably attached to end wall 406 by positioning cam 810 between protrusions 818 and 820 to align

aperture 814 of cam 810 with apertures 824 and 826 and passing shaft 817 through apertures 824, 814, and 826. Cam 810 rotates about the longitudinal axis of shaft 817 and moves relative to protrusions 818 and 820 of bracket 816.

Bracket 816, in one embodiment, is fabricated from metal, e.g., steel or aluminum, plastic, or the like and is fixed to end wall 406 by welding, gluing, bolting, or the like. In one embodiment, cam 810 is secured to shaft 817 using cap screws, set screws, an interference fit, or the like. Shaft 817, in one embodiment, is fabricated from metal, e.g., steel, aluminum, or the like, plastic, or the like. Shaft 817, in one embodiment, has a head 828 at one of its ends that is hexagonal, as shown in Figure 8, square, slotted, Phillips, Allen, or the like. In one embodiment, a nut 830 that is hexagonal or square is threaded onto shaft 817 at end 832 of shaft 817. To rotate cam 810, a torque is applied to head 828 using an appropriate wrench, screwdriver, or the like.

Figure 11 is a side view of region 850 in Figure 8 corresponding to another embodiment of case 800. The embodiment of Figure 11 includes two cams 1010 that are rotatably attached to end wall 406 in tandem using a bracket 1016 for each cam 1010 and shaft 1017 that passes through the respective brackets 1016 and cams 1010. In other embodiments, bracket 1016 and cams 1010 are as described above for bracket 816 and cam 810. Shaft 1017, in one embodiment, has a head 1028 at one of its ends that is hexagonal, as shown in Figure 11, square, slotted, Phillips, Allen, or the like. In one embodiment, a nut 1030 that is hexagonal or square is threaded onto shaft 1017 at end 1032. Cams 1010 are rotated into engagement with circuit card 408b by applying a torque to head 1028 using an appropriate wrench, screwdriver, or the like.

Figure 12 is an isometric view of region 850 in Figure 8 corresponding to yet another embodiment of case 800. Figure 13 is a side view of Figure 12, and Figure 14 illustrates the embodiment of Figure 12 in operation. In the embodiment of Figure 12, end wall 1206 replaces end wall 406 and resilient elements 1202 and 1204 replace cam 810.

End wall 1206 includes recess 1208. In one embodiment, a bracket 1210 and a nut 1212 are disposed within recess 1208 and are respectively fastened to wall 1206 using fasteners 1214 and 1216, as shown in Figures 12 and 13. Bracket 1210 and nut 1212, in one embodiment, are fabricated from metal, such as steel or aluminum, plastic, or the like. Fasteners 1214 and 1216, in one embodiment, are screws or bolts. Alternatively, bracket 1210 and nut 1212, in other embodiments, are fastened to end wall 1206 by welding, gluing,

or the like. In another embodiment, bracket 1210 and nut 1212 are fastened to a wall with no recess, such as end wall 406.

Bracket 1210 has an aperture 1218 passing through it, as shown in Figures 12 and 13. A sleeve 1220 passes through aperture 1218 and is slidable within aperture 1218. A shaft 1222 passes through sleeve 1220 and is movable therein. An end 1224 of shaft 1222 is threaded into nut 1212. Shaft 1222, in one embodiment, is fabricated from metal, e.g., steel, aluminum, or the like, plastic, or the like. Shaft 1222, in one embodiment, has a head 1226 at an end opposite end 1224 that is hexagonal, as shown in Figures 12 and 13, square, slotted, Phillips, Allen, or the like.

In one embodiment, shaft 1222 sequentially passes through a washer 1228, an aperture 1230 in resilient element 1202, a washer 1234, sleeve 1220, a washer 1236, an aperture 1238 in resilient element 1204, and a washer 1242 and threads into nut 1212, as shown in Figure 13. Resilient element 1202 is sandwiched between washers 1228 and 1234, and resilient element 1204 is sandwiched between washers 1236 and 1242. Washers 1234 and 1236 respectively abut sleeve 1220 at ends 1244 and 1246 of sleeve 1220, while washers 1228 and 1242 respectively abut head 1226 of shaft 1222 and nut 1212. Shaft 1222 is movable within washer 1228, aperture 1230 of resilient element 1202, washer 1234, washer 1236, aperture 1238 of resilient element 1204, and washer 1242.

Resilient elements 1202 and 1204, in one embodiment, are elastomers, e.g., polyvinyl, rubber, or the like. Washers 1228, 1234, 1236, and 1242, in one embodiment, are metal, e.g., aluminum or steel, plastic, or the like and are circular, as shown in Figure 12, square, etc.

In operation, a torque is applied to head 1226 of shaft 1222 using an appropriate wrench, screwdriver, or the like to thread shaft 1222 into nut 1212, causing shaft 1222 to move axially into nut 1212. This compresses resilient elements 1202 and 1204 axially between head 1226 and nut 1212, causing resilient elements 1202 and 1204 to bulge in generally the radial direction, as shown in Figure 14. As resilient elements 1202 and 1204 bulge radially, resilient elements 1202 and 1204 engage circuit card 408b to exert a force on circuit card 408b, as shown in Figure 14. This force closes gaps 420, 418, and 422 and clamps circuit card 408a, partition 412, circuit card 408b, and end wall 404 in direct thermal contact, as described above.

More specifically, when a torque is applied to head 1226 of shaft 1222, head 1226 exerts an axial force on washer 1228, which in turn exerts an axial force on resilient element 1202. A portion of the axial force exerted on resilient element 1202 compresses resilient element 1202 axially, causing resilient element 1202 to bulge in generally the radial direction, as shown in Figure 14. Another portion of the axial force exerted on resilient element 1202 is transmitted to washer 1234, which in turn exerts an axial force on end 1244 of sleeve 1220. The axial force exerted on sleeve 1220 slides sleeve 1220 relative to bracket 1210 within aperture 1218 of bracket 1210. This causes end 1246 to exert an axial force on washer 1236, which in turn exerts an axial force on resilient element 1204. The axial force exerted on resilient element 1204 compresses resilient element 1204 axially between washer 1236 and washer 1242, causing resilient element 1204 to bulge in generally the radial direction, as shown in Figure 14.

Figure 15 illustrates case 1500, another embodiment of the present invention. Elements that are common to Figures 15 and 7 are numbered as in Figure 7 and are as described above. Cam 1510 is rotated from a position 1520 to a position 1530, as shown in Figure 15, so that a portion of cam 1510 engages circuit card 706 to exert a force on circuit card 706. The force, in one embodiment, slides circuit card 706 into direct contact with end wall 704, thereby closing gap 714 to clamp circuit card 706 and end wall 704 in direct thermal contact.

In one embodiment, region 1550 of Figure 15 is as described for region 850 of Figure 8 above for the embodiment of case 800 shown in Figures 9 and 10, and cam 1510 is as described for cam 810. In another embodiment, region 1550 of Figure 15 is as described for region 850 of Figure 8 above for the embodiment of case 800 shown in Figure 11, and a pair of cams in tandem engages circuit card 706 to exert a force on circuit card 706. In yet another embodiment, region 1550 of Figure 15 is as described for region 850 of Figure 8 above for the embodiment of case 800 shown in Figures 12-14, and a pair of resilient elements engages circuit card 706 to exert a force on circuit card 706.

Figure 16 illustrates receptacle 1600, another embodiment of the present invention. Receptacle 1600 includes sidewalls 1602 and 1604 and end walls 1606 and 1607 that are fabricated from materials having suitable thermal and structural properties, such as aluminum, copper, brass, bronze, or the like.

Receptacle 1600 includes a frame 1608 divided into sub-frames 1608₁ and 1608₂ by partition 1610. Sub-frame 1608₂ and partition 1610, in one embodiment, are in slidable contact with sidewalls 1602 and 1604. Sub-frames 1608₁ and 1608₂ are respectively partitioned into an array of slots having slots 1620₁ to 1620_N by partitions 1612₁ to 1612_N that are perpendicular to partition 1610, as shown in Figure 16. Each slot of slots 1620₁ to 1620_N respectively confines one of circuit cards 1622₁ to 1622_N to a particular location within case 1600. Frame 1608 is fabricated from materials having suitable thermal and structural properties, such as aluminum, copper, brass, bronze, or the like. Circuit cards 1622₁ to 1622_N, in one embodiment, are as described above for circuit card 106 108a, or 108b.

A gap 1624 separates frame 1608 from end wall 1606. Cams 1611 are disposed within gap 1624. Cams 1611 are rotated into and out of engagement with frame 1608. When cams 1611 engage frame 1608, cams 1611 respectively exert a force on frame 1608, and, in particular, sub-frame 1608₂.

In one embodiment, regions 1650 of Figure 16 are as described for region 850 of Figure 8 above for the embodiment of case 800 shown in Figures 9 and 10, and cams 1611 are as described for cam 810. In another embodiment, regions 1650 of Figure 16 are as described for region 850 of Figure 8 above for the embodiment of case 800 shown in Figure 11, and two tandem pairs of cams engage frame 1608 to exert a force on frame 1608. In yet another embodiment, regions 1650 of Figure 16 are as described for region 850 of Figure 8 above for the embodiment of case 800 shown in Figures 12-14, and two pairs of resilient elements engage frame 1608 to exert a force on frame 1608. In other embodiments, a single region 1650 midway between sidewalls 1602 and 1604 replaces regions 1650, and a single cam, a tandem pair of cams, or a pair of resilient elements are located midway between sidewalls 1602 and 1604.

Figure 17 is an enlarged view of region 1675 of Figure 16 and corresponds to when a force, as represented by arrow 1750, is initially exerted on sub-frame 1608₂, for example, by cam 1611. Figure 17 shows, in one embodiment, that the circuit cards 1622₁ to 1622_N, e.g., circuit cards 1622₁ and 1622_N, extend beyond sub-frames 1608₁ and 1608₂ and partitions 1612₁ to 1612_N, e.g., 1612₁ and 1612_N, by a distance 1702. In other embodiments, the distance 1702 is substantially zero, and circuit cards 1622₁ to 1622_N are substantially flush with sub-frames 1608₁ and 1608₂ and partitions 1612₁ to 1612_N. Moreover, circuit

cards 1622₁ to 1622_N, e.g., circuit cards 1622₁ and 1622_N, are each separated from partition 1610 by a gap 1704.

When a force, as indicated by arrow 1750, is exerted on frame 1608 at sub-frame 1608₂, the force slides sub-frame 1608₂ so that the circuit cards of circuit cards 1622₁ to 1622_N that are in sub-frame 1608₂ contact partition 1610 and exert a force on partition 1610. The force exerted on partition 1610 slides partition 1610 into contact with the circuit cards of circuit cards 1622₁ to 1622_N that are in sub-frame 1608₁. In this way, the circuit cards of circuit cards 1622₁ to 1622_N contained in the slots of sub-frame 1608₂ are clamped between sub-frame 1608₂ and partition 1610, and the circuit cards of circuit cards 1622₁ to 1622_N contained in the slots of sub-frame 1608₁ are clamped between partition 1610 and sub-frame 1608₁. Therefore, circuit cards 1622₁ to 1622_N are clamped in direct contact with frame 1608, which is in contact with end walls 1606 and 1607 and sidewalls 1602 and 1604 of case 1600. This substantially increases the heat transfer from circuit cards 1622₁ to 1622_N to case 1600 relative to situations where circuit cards 1622₁ to 1622_N are not clamped in direct contact with frame 1608.

Figure 18 illustrates receptacle 1800, another embodiment of the present invention. Receptacle 1800 includes sidewalls 1802 and 1804 and end walls 1806 and 1807 that are fabricated from materials having suitable thermal and structural properties, such as aluminum, copper, brass, bronze, or the like.

Receptacle 1800 includes frames 1808 and 1809, respectively divided into sub-frames 1808₁ and 1808₂ by partition 1810 and sub-frames 1809₁ and 1809₂ by partition 1811. Sub-frames 1808₂ and 1809₂ and partitions 1810 and 1811, in one embodiment, are in slidable contact with sidewalls 1802 and 1804. Sub-frames 1808₁ and 1808₂ are partitioned into an array of slots having slots 1820₁ to 1820_N by partitions 1812₁ to 1812_N that are perpendicular to partition 1810, as shown in Figure 18. Sub-frames 1809₁ and 1809₂ are partitioned into an array of slots having slots 1821₁ to 1821_N by partitions 1813₁ to 1813_N that are perpendicular to partition 1811, as shown in Figure 18. Each slot of slots 1820₁ to 1820_N respectively confines one of circuit cards 1822₁ to 1822_N to a particular location within frame 1808. Each slot of slots 1821₁ to 1821_N respectively confines one of circuit cards 1823₁ to 1823_N to a particular location within frame 1809.

Frames 1808 and 1809 are fabricated from materials having suitable thermal and structural properties, such as aluminum, copper, brass, bronze, or the like. Circuit cards

1822₁ to 1822_N and circuit cards 1823₁ to 1823_N, in one embodiment, are as described above for circuit card 106, 108a, or 108b.

Frames 1808 and 1809 are separated by a gap 1824 that contains cams 1825. Each cam 1825 is rotatably attached to frame 1808, and, in particular, to sub-frame 1808₂ of frame 1808. Cams 1825 are rotated into and out of engagement with frame 1809, and, in particular, into and out of engagement with sub-frame 1809₂ of frame 1809. When cams 1825 engage sub-frame 1809₂, cams 1825 respectively exert a force on sub-frame 1809₂ producing a reaction force that is exerted on sub-frame 1808₂. In this way, when each cam 1825 is rotated into engagement with frame 1809, a force is exerted on both frames 1809 and 1808, and, in particular, on both sub-frames 1809₂ and 1808₂.

In one embodiment, the regions 1830 and 1840 are as described for region 1675 in Figure 16. When a force is exerted on both sub-frames 1809₂ and 1808₂, e.g., by each of cams 1825, the force slides sub-frame 1808₂ so that the circuit cards of circuit cards 1822₁ to 1822_N that are in sub-frame 1808₂ contact partition 1810 and exert a force on partition 1810. The force exerted on partition 1810 slides partition 1810 into contact with the circuit cards of circuit cards 1822₁ to 1822_N that are in sub-frame 1808₁. In this way, the circuit cards of circuit cards 1822₁ to 1822_N contained in the slots of sub-frame 1808₂ are clamped between sub-frame 1808₂ and partition 1810, and the circuit cards of circuit cards 1822₁ to 1822_N contained in the slots of sub-frame 1808₁ are clamped between and partition 1810 and sub-frame 1808₁.

The force also slides sub-frame 1809₂ so that the circuit cards of circuit cards 1823₁ to 1823_N that are in sub-frame 1809₂ contact partition 1811 and exert a force on partition 1811. The force exerted on partition 1811 slides partition 1811 into contact with the circuit cards of circuit cards 1823₁ to 1823_N that are in sub-frame 1809₁. In this way, the circuit cards of circuit cards 1823₁ to 1823_N contained in the slots of sub-frame 1809₂ are clamped between sub-frame 1809₂ and partition 1811, and the circuit cards of circuit cards 1823₁ to 1823_N contained in the slots of sub-frame 1809₁ are clamped between and partition 1811 and sub-frame 1809₁.

In one embodiment, regions 1850 of Figure 18 are as described for region 850 of Figure 8 above for the embodiment of case 800 shown in Figures 9 and 10, and cams 1825 are as described for cam 810. In another embodiment, regions 1850 of Figure 18 are as described for region 850 of Figure 8 above for the embodiment of case 800 shown in Figure

11, and two tandem pairs of cams are attached to frame 1808 and are rotated to engage frame 1809 to exert a force on both frames 1808 and 1809. In yet another embodiment, regions 1850 of Figure 18 are as described for region 850 of Figure 8 above for the embodiment of case 800 shown in Figures 12-14, and two pairs of resilient elements are attached to frame 1808 and engage frame 1809 to exert a force on both frames 1808 and 1809. In other embodiments, a single region 1850 midway between sidewalls 1802 and 1804 replaces regions 1850, and a single cam, a tandem pair of cams, or a pair of resilient elements are located midway between sidewalls 1802 and 1804.

In one embodiment, region 1875 of Figure 18 is as shown in the exploded view of Figure 19. In this embodiment, sub-frame portions 1908₂ and 1909₂ respectively replace the portions of sub-frames 1808₂ and 1809₂ contained within region 1875, and gap 1924 replaces gap 1824. Sub-frame portions 1908₂ and 1909₂ respectively have recesses 1910 and 1911, with the recess 1910 having resilient elements 1902 and 1904 disposed therein. In one embodiment, resilient elements 1902 and 1904 are as described above in conjunction with Figures 12-14.

Resilient elements 1902 and 1904 are compressed axially between head 1918 of shaft 1920 and nut 1922 when a torque is applied to head 1918 to thread shaft 1920 axially into nut 1922. This causes resilient elements 1902 and 1904 to bulge in generally the radial direction. As resilient elements 1902 and 1904 bulge generally radially, resilient elements 1902 and 1904 engage sub-frame portion 1909₂ within recess 1911. When resilient elements 1902 and 1904 engage sub-frame portion 1909₂, resilient elements 1902 and 1904 respectively exert a force on sub-frame portion 1909₂ producing a reaction force that is exerted on sub-frame portion 1908₂. In this way, a force is exerted on both sub-frame portions 1908₂ and 1909₂.

In one embodiment, a pair of cases 1800 is located within a housing, such as housing 2000 shown in Figure 20. Housing 2000 has two compartments 2002 that are closed by covers 2004. Each of compartments 2002 receives a case 1800, as shown in Figure 20, which, in one embodiment, is thermally coupled to housing 2000, as described in US Pat. Application Ser. No. 09/804,129, entitled MECHANICAL HOUSING, which application is incorporated herein by reference.

Conclusion

Embodiments of the present invention have been described. The embodiments provide cases that clamp circuit cards within them to improve the thermal contact between the circuit cards and the cases, thereby reducing the risk of thermal failure.

Although specific embodiments have been illustrated and described in this specification, it will be appreciated by those of ordinary skill in the art that any arrangement that is calculated to achieve the same purpose may be substituted for the specific embodiment shown. This application is intended to cover any adaptations or variations of the present invention. For example, although cam 810 is portrayed in the accompanying figures as being oval, cam 810 can also be circular, elliptical, or any suitable shape. Moreover, serrations 412, as shown in Figure 10, can be eliminated from the curved surface of cam 810, or serrations 412 can be of a material other than rubber, such as plastic, metal, or the like. Although resilient elements 1202 and 1204 are shown to be hollow cylinders in Figure 13, resilient elements 1202 and 1204 can have other geometries, such as cubes having apertures passing through them. Further, although cams 1611 are rotatably attached to end wall 1606, as shown in Figure 16, and are rotatable into engagement with frame 1608, cams 1611 can be rotatably attached to frame 1608 and can be rotated into engagement with end wall 1606. Although cams 1825 are rotatably attached to frame 1808, as shown in Figure 18, and are rotatable into engagement with frame 1809, cams 1825 can be rotatably attached to frame 1809 and can be rotatable into engagement with frame 1808.

What is claimed is:

1. A case for confining a circuit card to a particular location within a housing, the case comprising:

a slot; and

an actuator disposed within the slot, the actuator engageable with the circuit card for clamping the circuit card between the actuator and the case.

2. The case of claim 1, wherein the actuator is one of a wedge, cam, and resilient element.

3. The case of claim 1, wherein the circuit card is in slidable contact with the case.

4. The case of claim 1, wherein the case is thermally coupled to the housing.

5. The case of claim 1, wherein a heat sink is disposed between the case and the housing.

6. The case of claim 1, wherein the circuit card comprises a pair of circuit cards and a partition sandwiched therebetween and the actuator is engageable with one of the circuit cards.

7. A case for confining a pair of circuit cards to different locations within a housing, the case comprising:

a pair of opposing side walls and first and second end walls;

a partition disposed between the first and second end walls that divides the case into a first slot bounded by a portion of each of the side walls, the partition, and the first end wall and a second slot bounded by another portion of each of the side

walls, the partition, and the second end wall, the first and second slots each containing one of the circuit cards; and

an actuator engageable with the circuit card in the first slot for clamping the circuit card in the first slot, the partition, and the circuit card in the second slot between the actuator and the second end wall.

8. The case of claim 7, wherein the actuator is one of a wedge, cam, and resilient element.

9. The case of claim 7, wherein the circuit cards are in slidable contact with each of the sidewalls.

10. The case of claim 7, wherein the partition is in slidable contact with each of the sidewalls.

11. The case of claim 7, wherein the second end wall is thermally coupled to the housing.

12. The case of claim 7, wherein a heat sink is disposed between the second end wall and the housing.

13. A case for confining at least one circuit card to a location within a housing, the case comprising:

at least one slot that contains the at least one circuit card; and

at least one cam selectively engageable with the at least one circuit card for clamping the circuit card between the cam and the case.

14. The case of claim 13, wherein the at least one cam is selected from the group consisting of a pair of cams in tandem, a pair of cams, and two tandem pairs of cams.
15. The case of claim 13, wherein the at least one cam is disposed on a shaft that rotates the at least one cam into and out of engagement with the at least one circuit card.
16. The case of claim 13, wherein the at least one cam is rotatably attached to the case.
17. The case of claim 13, wherein the at least one cam is disposed within the at least one slot.
18. The case of claim 13, wherein the at least one cam comprises a curved surface comprising serrations.
19. The case of claim 13, wherein the at least one slot comprises a pair of slots and the at least one circuit card comprises two circuit cards, each slot containing one of the circuit cards.
20. The case of claim 19, wherein the at least one cam is engageable with the one of the circuit cards for clamping the two circuit cards between the cam and the case.
21. The case of claim 13, wherein the case is thermally coupled to the housing.
22. The case of claim 13, wherein a heat sink is disposed between the case and the housing.

23. A case for confining at least one circuit card to a location within a housing, the case comprising:
- at least one slot that contains the at least one circuit card; and
 - at least one cam disposed within the slot and rotatably attached to the case, the at least one cam selectively rotatable for selectively engaging the at least one circuit card for clamping the at least one circuit card between the at least one cam and the case.
24. The case of claim 23, wherein the at least one slot comprises a pair of slots and the at least one circuit card comprises two circuit cards, each slot containing one of the circuit cards.
25. The case of claim 24, wherein the at least one cam is engageable with the one of the circuit cards for clamping the two circuit cards between the cam and the case.
26. The case of claim 23, wherein the at least one cam is selected from the group consisting of a pair of cams in tandem, a pair of cams, and two tandem pairs of cams.
27. The case of claim 23, wherein the at least one cam is disposed on a shaft that rotates the at least one cam into and out of engagement with the at least one circuit card.
28. The case of claim 23, wherein the case is thermally coupled to the housing.
29. The case of claim 23, wherein a heat sink is disposed between the case and the housing.
30. A case for confining a pair of circuit cards to different locations within a housing, the case comprising:

a pair of opposing side walls and first and second end walls;

a partition disposed between the first and second end walls that divides the case into a first slot bounded by a portion of each of the side walls, the partition, and the first end wall and a second slot bounded by another portion of each of the side walls, the partition, and the second end wall, the first and second slots each containing one of the circuit cards; and

at least one cam disposed within the first slot and rotatably attached to the first end wall, the at least one cam selectively rotatable for selectively engaging the circuit card in the first slot for clamping the circuit card in the first slot, the partition, and the circuit card in the second slot between the at least one cam and the second end wall.

31. The case of claim 30, wherein the at least one cam is selected from the group consisting of a pair of cams in tandem, a pair of cams, or two tandem pairs of cams.

32. The case of claim 30, wherein the at least one cam is disposed on a shaft that rotates the at least one cam into and out of engagement with the at least one circuit card.

33. The case of claim 30, wherein the circuit cards are in slidable contact with each of the sidewalls.

34. The case of claim 30, wherein the partition is in slidable contact with each of the sidewalls.

35. The case of claim 30, wherein the second end wall is thermally coupled to the housing.

36. The case of claim 30, wherein a heat sink is disposed between the second end wall and the housing.

37. A case for confining at least one circuit card to a location within a housing, the case comprising:

at least one slot that contains the at least one circuit card;

a shaft rotatably attached to the case, the shaft having a head at one end and a nut at an end of the shaft opposite the head; and

at least one resilient element disposed on the shaft between the head and the nut, the at least one resilient element axially compressible between the head and nut to bulge generally perpendicularly to the axial direction into engagement with the circuit card for clamping the circuit card between the at least one resilient element and the case.

38. The case of claim 37, wherein the at least one resilient element is a pair of resilient elements.

39. The case of claim 38, and further comprising a sleeve disposed within a bracket attached to the case, the sleeve in slidable contact with the bracket, the shaft passing through the sleeve such that the shaft is rotatable within the sleeve, the sleeve located between the respective resilient elements of the pair of resilient elements.

40. The case of claim 37, wherein the shaft is disposed within the at least one slot.

41. The case of claim 37, wherein the shaft is in threaded engagement with the nut.

42. The case of claim 37, wherein the nut is attached to the case.

43. The case of claim 41, wherein the shaft threads into the nut to axially compress the at least one resilient element.

44. The case of claim 37, wherein the at least one slot comprises a pair of slots and the at least one circuit card comprises two circuit cards, each slot containing one of the circuit cards.

45. The case of claim 44, wherein the at least one resilient element bulges generally perpendicularly to the axial direction into engagement with one of the circuit cards for clamping the two circuit cards between the at least one resilient element and the case.

46. The case of claim 44, wherein the case is thermally coupled to the housing.

47. The case of claim 44, wherein a heat sink is disposed between the case and the housing.

48. A case for confining at least one circuit card to a location within a housing, the case comprising:

at least one slot that contains the at least one circuit card;

a shaft having a head at one end;

a nut attached to the case and in threaded engagement with the shaft adjacent an end of the shaft opposite the head;

a sleeve disposed within a bracket attached to the case, the sleeve in slidable contact with the bracket, the shaft passing through the sleeve such that the shaft is rotatable within the sleeve;

first and second resilient elements disposed on the shaft respectively on either side of the sleeve and between the head and the nut;

the first resilient element axially compressible between the head and the sleeve and the second resilient element axially compressible between the sleeve and the nut to respectively bulge generally perpendicularly to the axial direction into engagement

with the circuit card for clamping the circuit card between the first and second resilient elements and the case.

49. The case of claim 48, wherein the shaft threads into the nut to axially compress the first resilient element between the head and the sleeve and the second resilient element between the sleeve and the nut.

50. The case of claim 48, wherein the at least one slot comprises a pair of slots and the at least one circuit card comprises two circuit cards, each slot containing one of the circuit cards.

51. The case of claim 48, wherein the first and second resilient elements bulge generally perpendicularly to the axial direction into engagement with one of the circuit cards for clamping the two circuit cards between the first and second resilient elements and the case.

52. The case of claim 48, wherein the case is thermally coupled to the housing.

53. The case of claim 48, wherein a heat sink is disposed between the case and the housing.

54. A case for confining a pair of circuit cards to different locations within a housing, the case comprising:

a pair of opposing side walls and first and second end walls;

a partition disposed between the first and second end walls that divides the case into a first slot bounded by a portion of each of the side walls, the partition, and the first end wall and a second slot bounded by another portion of each of the side walls, the partition, and the second end wall, the first and second slots each containing one of the circuit cards;

a shaft rotatably attached to the case, the shaft having a head at one end and a nut at an end of the shaft opposite the head; and

at least one resilient element disposed on the shaft between the head and the nut, the at least one resilient element axially compressible between the head and nut to bulge generally perpendicularly to the axial direction into engagement with the circuit card in the first slot for clamping the circuit card in the first slot, the partition, and the circuit card in the second slot between the at least one resilient element and the second end wall.

55. The case of claim 54, wherein the at least one resilient element is a pair of resilient elements.

56. The case of claim 55, and further comprising a sleeve disposed within a bracket attached to the case, the sleeve in slidable contact with the bracket, the shaft passing through the sleeve such that the shaft is rotatable within the sleeve, the sleeve located between the respective resilient elements of the pair of resilient elements.

57. The case of claim 54, wherein the shaft is in threaded engagement with the nut.

58. The case of claim 54, wherein the nut is attached to the case.

59. The case of claim 57, wherein the shaft threads into the nut to axially compress the at least one resilient element.

60. The case of claim 54, wherein the circuit cards are in slidable contact with each of the sidewalls.

61. The case of claim 54, wherein the partition is in slidable contact with each of the sidewalls.

62. The case of claim 54, wherein the second end wall is thermally coupled to the housing.

63. The case of claim 54, wherein a heat sink is disposed between the second end wall and the housing.

64. A case for confining a pair of circuit cards to different locations within a housing, the case comprising:

a pair of opposing side walls and first and second end walls;

a partition disposed between the first and second end walls that divides the case into a first slot bounded by a portion of each of the side walls, the partition, and the first end wall and a second slot bounded by another portion of each of the side walls, the partition, and the second end wall, the first and second slots each containing one of the circuit cards;

a shaft having a head at one end;

a nut attached to the case and in threaded engagement with the shaft adjacent an end of the shaft opposite the head;

a sleeve disposed within a bracket attached to the case, the sleeve in slidable contact with the bracket, the shaft passing through the sleeve such that the shaft is rotatable within the sleeve;

first and second resilient elements disposed on the shaft respectively on either side of the sleeve and between the head and the nut;

the first resilient element axially compressible between the head and the sleeve and the second resilient element axially compressible between the sleeve and the nut to respectively bulge generally perpendicularly to the axial direction into engagement with the circuit card in the first slot for clamping the circuit card in the first slot, the partition, and the circuit card in the second slot between the first and second resilient elements and the second end wall.

65. The case of claim 64, wherein the shaft threads into the nut to axially compress the first resilient element between the head and the sleeve and the second resilient element between the sleeve and the nut.
66. A method for clamping a circuit card within a case, the method comprising:
inserting a wedge between a first end wall of the case and the circuit card so that the wedge engages the circuit card and the first end wall;
exerting a force on the circuit card using the wedge; and
securing the circuit card between the wedge and a second end wall of the case that is opposite to the first wall by maintaining the force on the circuit card using the wedge.
67. The method of claim 66, wherein exerting a force on the circuit card using the wedge comprises exerting a force on the wedge.
68. The method of claim 66, and further comprising sliding the circuit card into contact with the second end wall using the force exerted on the circuit card.
69. The method of claim 68, wherein sliding the circuit card into contact with the second end wall removes a gap between the second end wall and the circuit card.
70. A method for clamping a circuit card within a case, the method comprising:
inserting a wedge between a first end wall of the case and the circuit card so that the wedge engages the circuit card and the first end wall;
exerting a force on the circuit card using the wedge;
sliding the circuit card into contact with the second wall using the force; and
securing the circuit card between the wedge and the second end wall by maintaining the force on the circuit card using the wedge.

71. The method of claim 70, wherein exerting a force on the circuit card using the wedge comprises exerting a force on the wedge.

72. The method of claim 70, wherein sliding the circuit card into contact with the second end wall removes a gap between the second end wall and the circuit card.

73. A method for clamping first and second circuit cards within a case, the method comprising:

inserting a wedge between a first end wall of the case and the first circuit card so that the wedge engages the first circuit card and the first end wall;

exerting a force on the first circuit card using the wedge;

exerting a force on a partition disposed between the first and second circuit cards using the first circuit card;

exerting a force on the second circuit card using the partition; and

securing the first circuit card, the partition, and the second circuit card between the wedge and a second end wall of the case that is opposite to the first wall by maintaining the force on the first circuit card using the wedge.

74. The method of claim 73, wherein exerting a force on the first circuit card using the wedge comprises exerting a force on the wedge.

75. The method of claim 73, and further comprising sliding the first circuit card into contact with the partition using the force exerted on the first circuit card by the wedge.

76. The method of claim 75, wherein sliding the first circuit card into contact with the partition removes a gap between the first circuit card and the partition.

77. The method of claim 73, and further comprising sliding the partition into contact with the second circuit card using the force exerted on the partition by first circuit card.

78. The method of claim 77, wherein sliding the partition into contact with the second circuit card removes a gap between the partition and the second circuit card.

79. The method of claim 73, and further comprising sliding the second circuit card into contact with the second end wall using the force exerted on the second circuit card by the partition.

80. The method of claim 79, wherein sliding the second circuit card into contact with the second end wall removes a gap between the second circuit card and the second end wall.

81. A method for clamping first and second circuit cards within a case, the method comprising:

inserting a wedge between a first end wall of the case and the first circuit card so that the wedge engages the first circuit card and the first end wall;

exerting a force on the first circuit card using the wedge;

sliding the first circuit card into contact with the partition using the force exerted on the first circuit card by the wedge;

exerting a force on a partition disposed between the first and second circuit cards using the first circuit card;

sliding the partition into contact with the second circuit card using the force exerted on the partition by first circuit card;

exerting a force on the second circuit card using the partition;

sliding the second circuit card into contact with the second end wall using the force exerted on the second circuit card by the partition; and

securing the first circuit card, the partition, and the second circuit card between the wedge and a second end wall of the case that is opposite to the first wall by maintaining the force on the first circuit card using the wedge.

82. The method of claim 81, wherein exerting a force on the circuit card using the wedge comprises exerting a force on the wedge.

83. The method of claim 81, wherein sliding the first circuit card into contact with the partition removes a gap between the first circuit card and the partition.

84. The method of claim 81, wherein sliding the partition into contact with the second circuit card removes a gap between the partition and the second circuit card.

85. The method of claim 81, wherein sliding the second circuit card into contact with the second end wall removes a gap between the second circuit card and the second end wall.

86. A method for clamping at least one circuit card within a case, the method comprising:

exerting selectively a force on the at least one circuit card using at least one cam; and

maintaining the force on the at least one circuit card using the at least one cam.

87. The method of claim 86, and further comprising attaching the at least one cam rotatably to the case.

88. The method of claim 86, wherein exerting selectively a force on the at least one circuit card includes selectively rotating the at least one cam into engagement with the at least one circuit card.

89. The method of claim 88, wherein selectively rotating the at least one cam into engagement with the at least one circuit card comprises applying a torque to the cam.

90. The method of claim 86, and further comprising sliding the circuit card into contact with an end wall of the case using the force exerted on the circuit card.

91. The method of claim 90, wherein sliding the circuit card into contact with the end wall removes a gap between the end wall and the circuit card.

92. The method of claim 86, wherein exerting selectively a force on the at least one circuit card includes exerting selectively a force on a pair of circuit cards.

93. The method of claim 92, wherein exerting selectively a force on a pair of circuit cards includes selectively rotating the at least one cam into engagement with one of the circuit cards so that the one of the circuit cards exerts a force on a partition disposed between the respective circuit cards, and the partition exerts a force on the other of the circuit cards.

94. The method of claim 87, wherein attaching the at least one cam rotatably to the case includes selecting the at least one cam from the group consisting of a pair of cams, a tandem pair of cams, and two tandem pairs of cams.

95. A method for clamping at least one circuit card within a case, the method comprising:

attaching at least one cam rotatably to the case;

rotating selectively the cam to engage the at least one circuit card;
exerting a force on the at least one circuit card using the at least one cam; and
securing the circuit card between the at least one cam and an end wall of the case by maintaining the force on the circuit card using the at least one cam.

96. The method of claim 95, and further comprising sliding the circuit card into contact with the second end wall using the force exerted on the circuit card.

97. The method of claim 96, wherein sliding the circuit card into contact with the second end wall removes a gap between the second end wall and the circuit card.

98. A method for clamping first and second circuit cards within a case, comprising:

attaching at least one cam rotatably to the case;

rotating selectively the at least one cam to engage the first circuit card;

exerting a force on the first circuit card using the at least one cam;

exerting a force on a partition disposed between the first and second circuit cards using the first circuit card;

exerting a force on the second circuit card using the partition; and

securing the first circuit card, the partition, and the second circuit card between at least one cam and an end wall of the case by maintaining the force on the first circuit card using the at least one cam.

99. The method of claim 98, and further comprising sliding the first circuit card into contact with the partition using the force exerted on the first circuit card by the at least one cam.

100. The method of claim 99, wherein sliding the first circuit card into contact with the partition removes a gap between the first circuit card and the partition.

101. The method of claim 98, and further comprising sliding the partition into contact with the second circuit card using the force exerted on the partition by first circuit card.

102. The method of claim 101, wherein sliding the partition into contact with the second circuit card removes a gap between the partition and the second circuit card.

103. The method of claim 98, and further comprising sliding the second circuit card into contact with the end wall using the force exerted on the second circuit card by the partition.

104. The method of claim 103, wherein sliding the second circuit card into contact with the end wall removes a gap between the second circuit card and the end wall.

105. The method of claim 98, wherein attaching the at least one cam rotatably to the case includes selecting the at least one cam from the group consisting of a pair of cams, a tandem pair of cams, or two tandem pairs of cams.

106. A method for clamping at least one circuit card within a case, the method comprising:

compressing axially at least one resilient element between a head of a shaft and a nut disposed on the shaft so that the at least one resilient element bulges generally perpendicularly to the axial direction and into engagement with the at least one circuit card;

exerting a force on the at least one circuit card using the at least one resilient element; and

maintaining the force on the at least one circuit card using the at least one resilient element.

107. The method of claim 106, and further comprising attaching rotatably the shaft to the case.

108. The method of claim 106, wherein compressing axially at least one resilient element comprises compressing axially a pair of resilient elements between the head of the shaft and the nut.

109. The method of claim 108, wherein compressing axially a pair of resilient elements between the head of the shaft and the nut comprises compressing one of the resilient elements between the head and a sleeve and compressing the other resilient element between the sleeve and the nut.

110. The method of claim 106, wherein compressing axially at least one resilient element comprises threading the shaft into the nut.

111. The method of claim 107, wherein attaching rotatably the shaft to the case comprises attaching the nut to the case.

112. The method of claim 106, and further comprising sliding the circuit card into contact with an end wall of the case using the force exerted on the circuit card.

113. The method of claim 112, wherein sliding the circuit card into contact with the end wall removes a gap between the end wall and the circuit card.

114. The method of claim 106, wherein exerting a force on the at least one circuit card includes exerting a force on a pair of circuit cards.

115. The method of claim 114, wherein exerting a force on a pair of circuit cards comprises the at least one resilient element bulging into engagement with one of the circuit cards so that the one of the circuit cards exerts a force on a partition disposed between the respective circuit cards, and the partition exerts a force on the other of the circuit cards.

116. A method for clamping at least one circuit card within a case, the method comprising:

compressing axially at least one resilient element between a head of a shaft and a nut disposed on the shaft so that the at least one resilient element bulges generally perpendicularly to the axial direction and into engagement with the at least one circuit card;

exerting a force on the at least one circuit card using the at least one resilient element; and

securing the circuit card between the at least one resilient element and an end wall of the case by maintaining the force on the circuit card using the at least one resilient element.

117. The method of claim 116, and further comprising attaching rotatably the shaft to the case.

118. The method of claim 116, wherein compressing axially at least one resilient element comprises compressing axially a pair of resilient elements between the head of the shaft and the nut.

119. The method of claim 118, wherein compressing axially a pair of resilient elements between the head of the shaft and the nut comprises compressing one of the resilient

elements between the head and a sleeve and compressing the other resilient element between the sleeve and the nut.

5 120. The method of claim 116, wherein compressing axially at least one resilient element comprises threading the shaft into the nut.

121. The method of claim 117, attaching rotatably the shaft to the case comprises attaching the nut to the case.

) 122. The method of claim 116, and further comprising sliding the circuit card into contact with the end wall using the force exerted on the circuit card.

123. The method of claim 122, wherein sliding the circuit card into contact with the end wall removes a gap between the second end wall and the circuit card.

i 124. A method for clamping first and second circuit cards within a case, the method comprising:

compressing axially at least one resilient element between a head of a shaft and a nut disposed on the shaft so that the at least one resilient element bulges generally perpendicularly to the axial direction and into engagement with the first circuit card;

exerting a force on the first circuit card using the at least one resilient element;

exerting a force on a partition disposed between the first and second circuit cards using the first circuit card;

exerting a force on the second circuit card using the partition; and

securing the first circuit card, the partition, and the second circuit card between at least one resilient element and an end wall of the case by maintaining the force on the first circuit card using the at least one resilient element.

125. The method of claim 124, and further comprising attaching rotatably the shaft to the case.

126. The method of claim 124, wherein compressing axially at least one resilient element comprises compressing axially a pair of resilient elements between the head of the shaft and the nut.

127. The method of claim 126, wherein compressing axially a pair of resilient elements between the head of the shaft and the nut comprises compressing one of the resilient elements between the head and a sleeve and compressing the other resilient element between the sleeve and the nut.

128. The method of claim 124, wherein compressing axially at least one resilient element comprises threading the shaft into the nut.

129. The method of claim 125, wherein attaching rotatably the shaft to the case comprises attaching the nut to the case.

130. The method of claim 124, and further comprising sliding the first circuit card into contact with the partition using the force exerted on the first circuit card by the at least one resilient element.

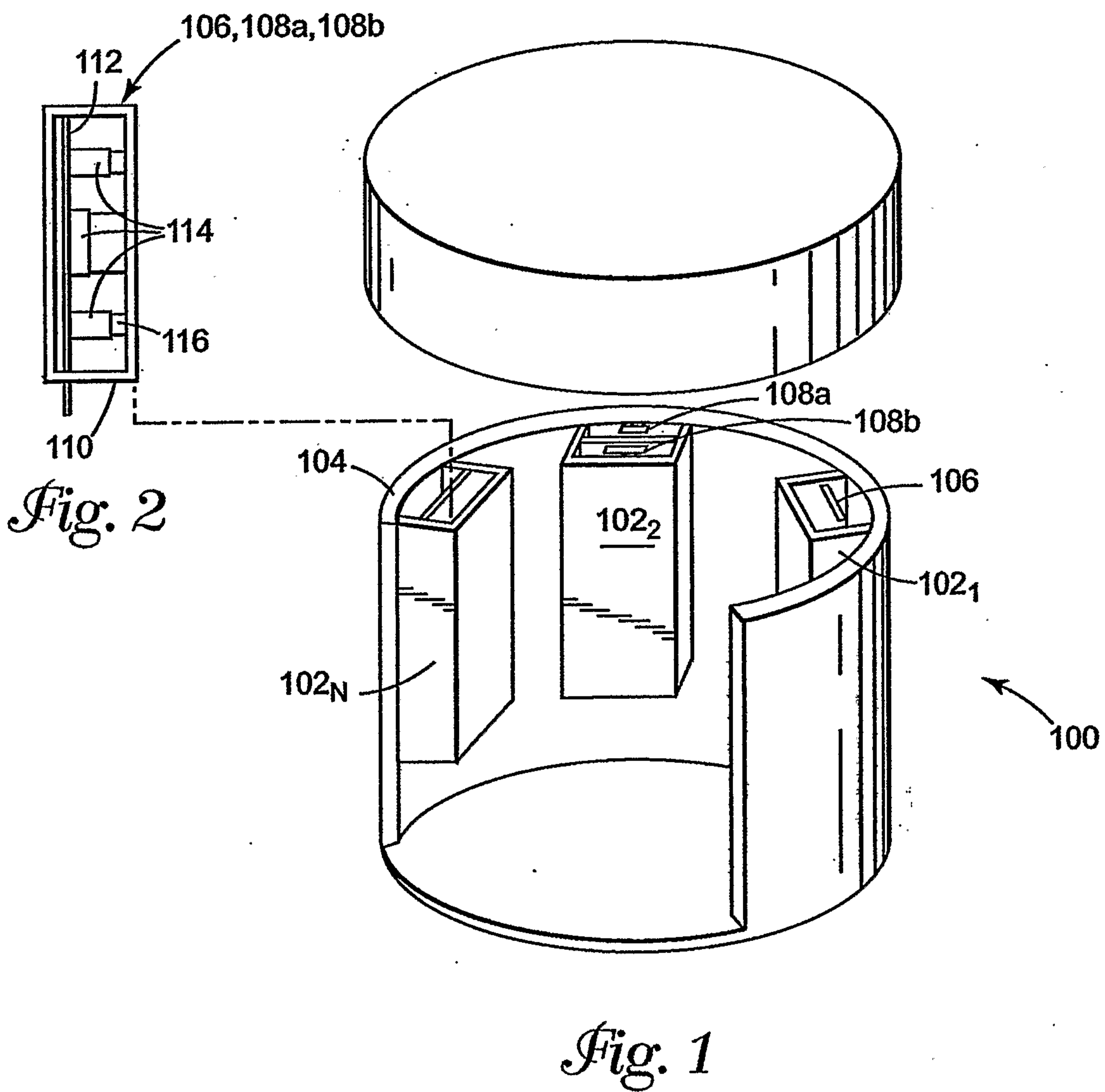
131. The method of claim 130, wherein sliding the first circuit card into contact with the partition removes a gap between the first circuit card and the partition.

132. The method of claim 124, and further comprising sliding the partition into contact with the second circuit card using the force exerted on the partition by first circuit card.

133. The method of claim 132, wherein sliding the partition into contact with the second circuit card removes a gap between the partition and the second circuit card.

134. The method of claim 124, and further comprising sliding the second circuit card into contact with the end wall using the force exerted on the second circuit card by the partition.

135. The method of claim 134, wherein sliding the second circuit card into contact with the end wall removes a gap between the second circuit card and the end wall.



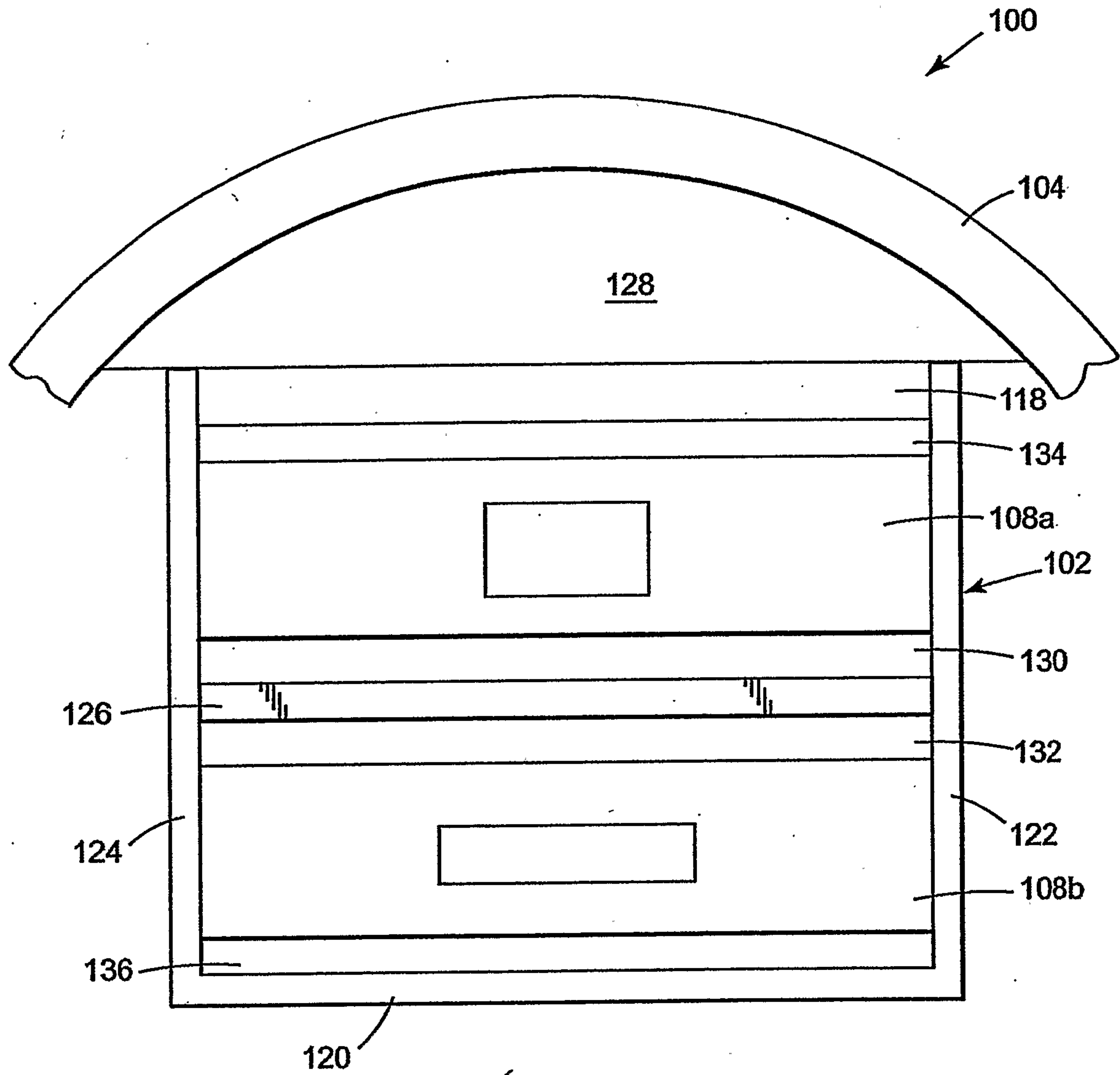


Fig. 3

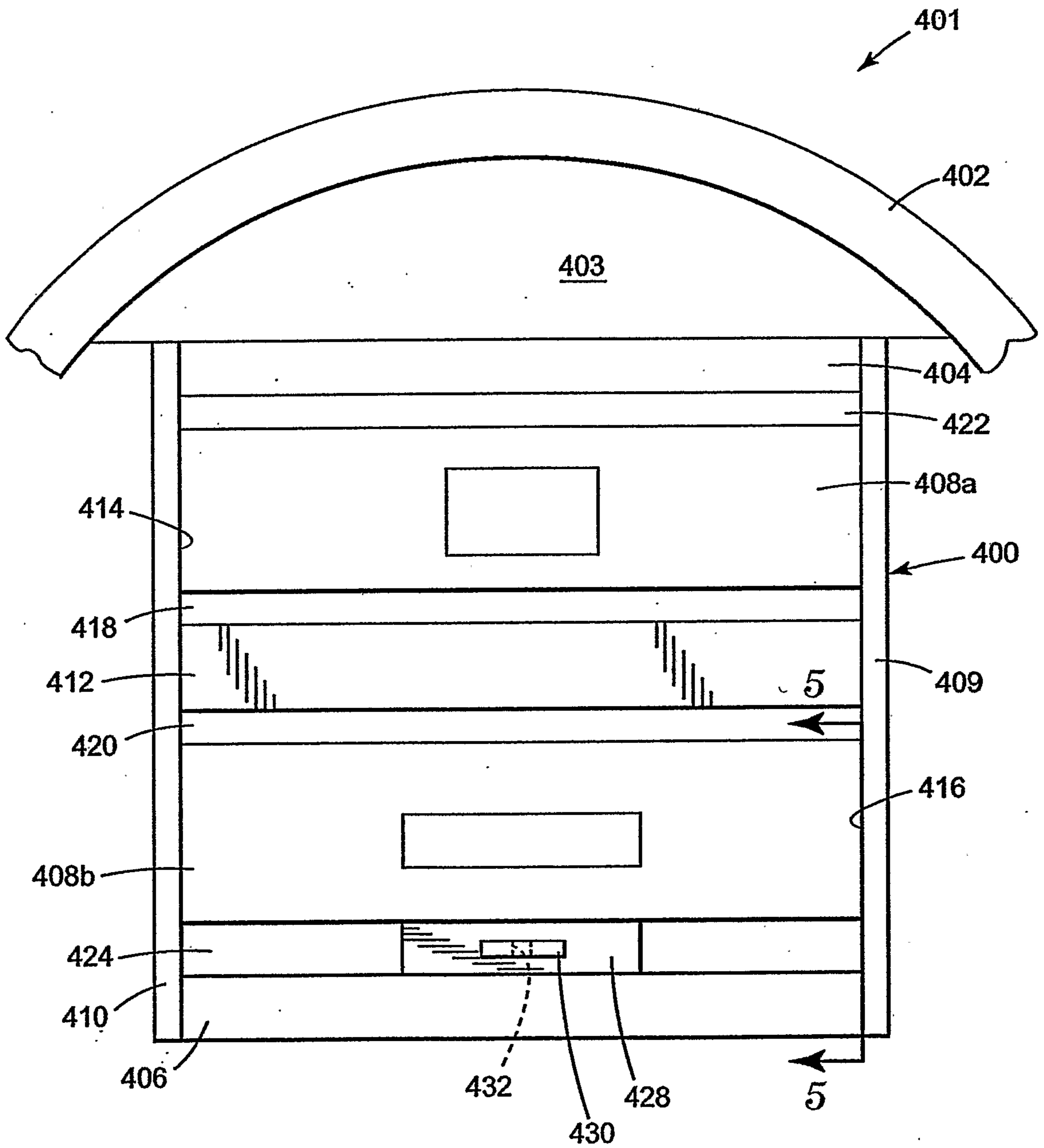


Fig. 4

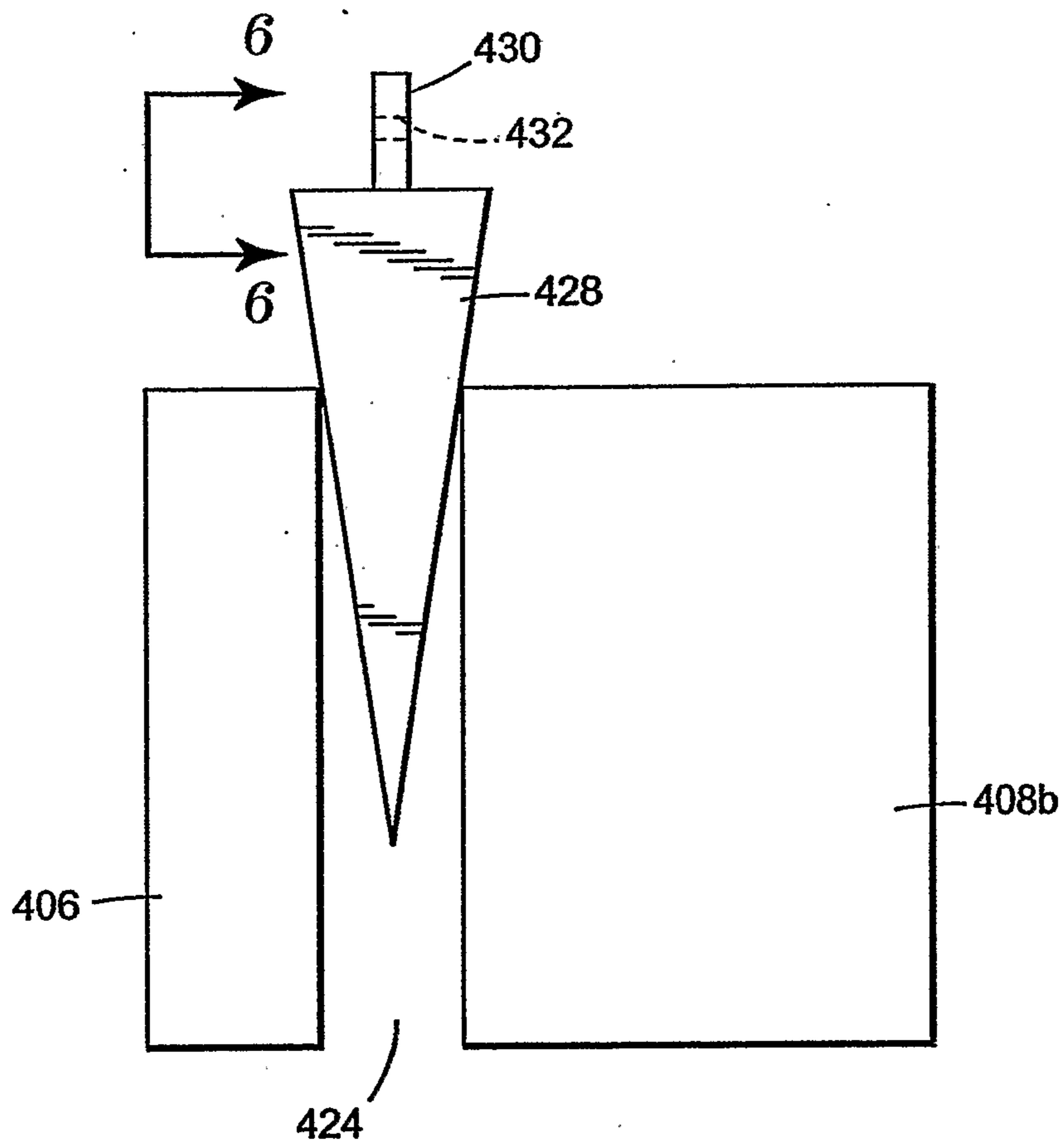


Fig. 5

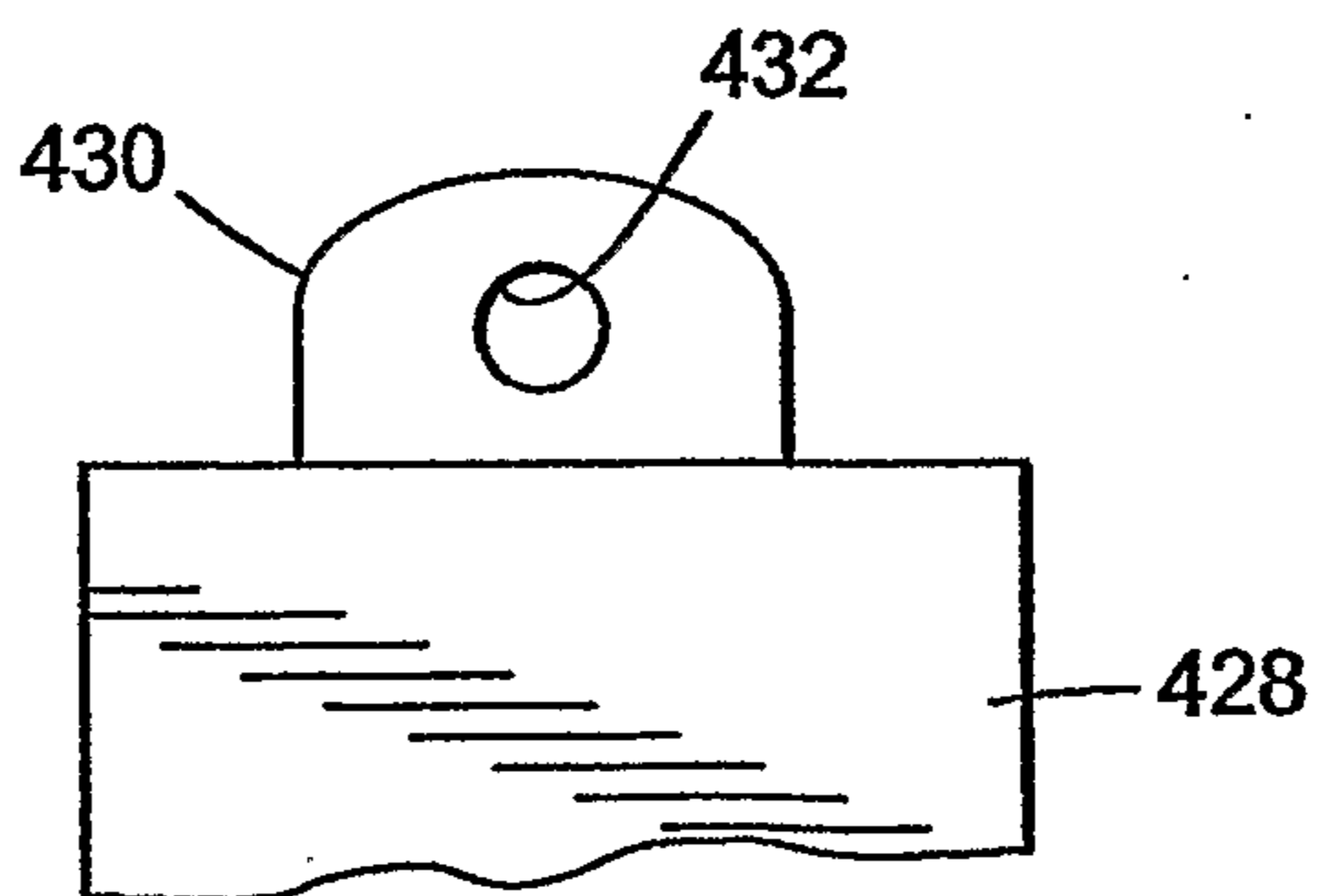


Fig. 6

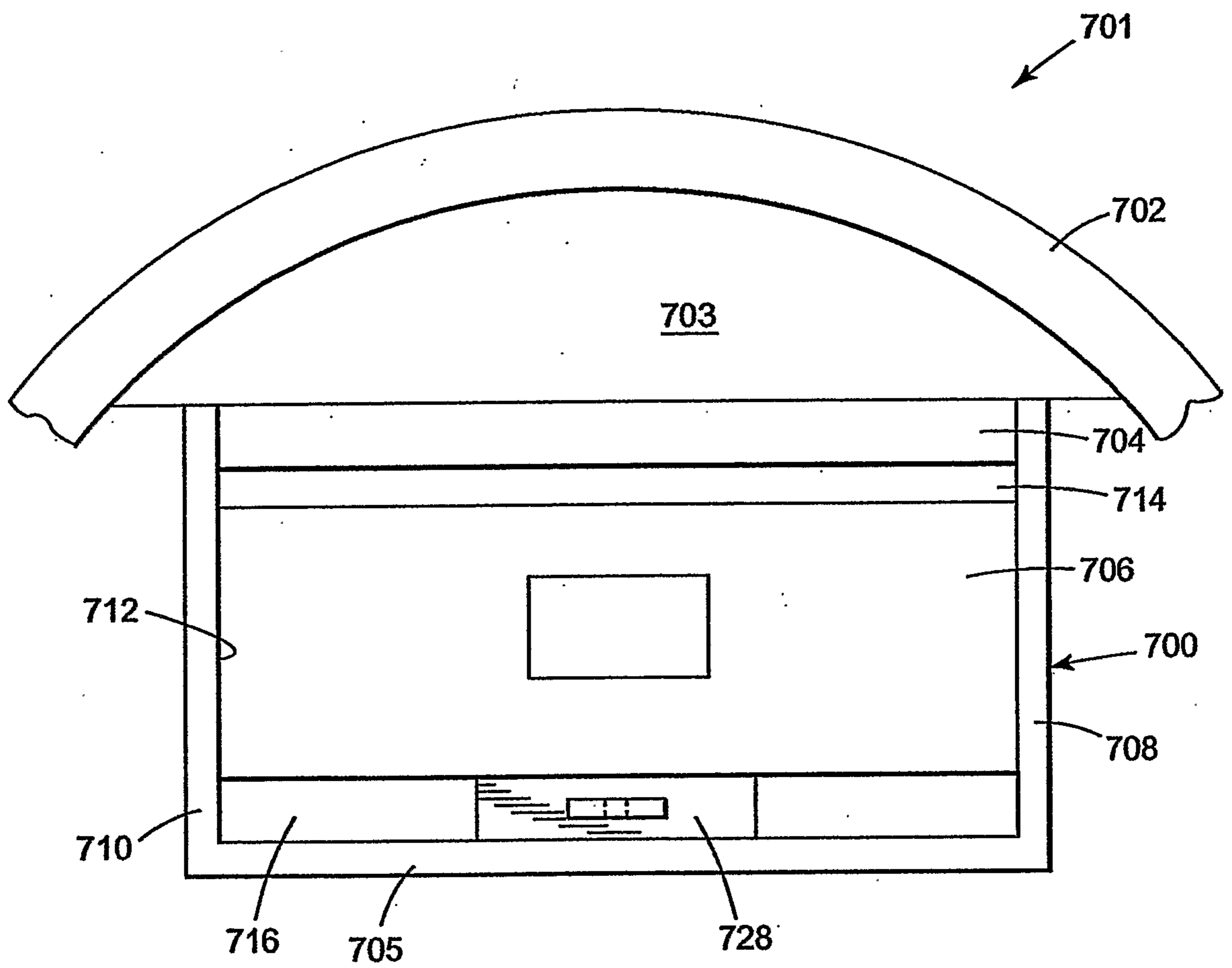


Fig. 7

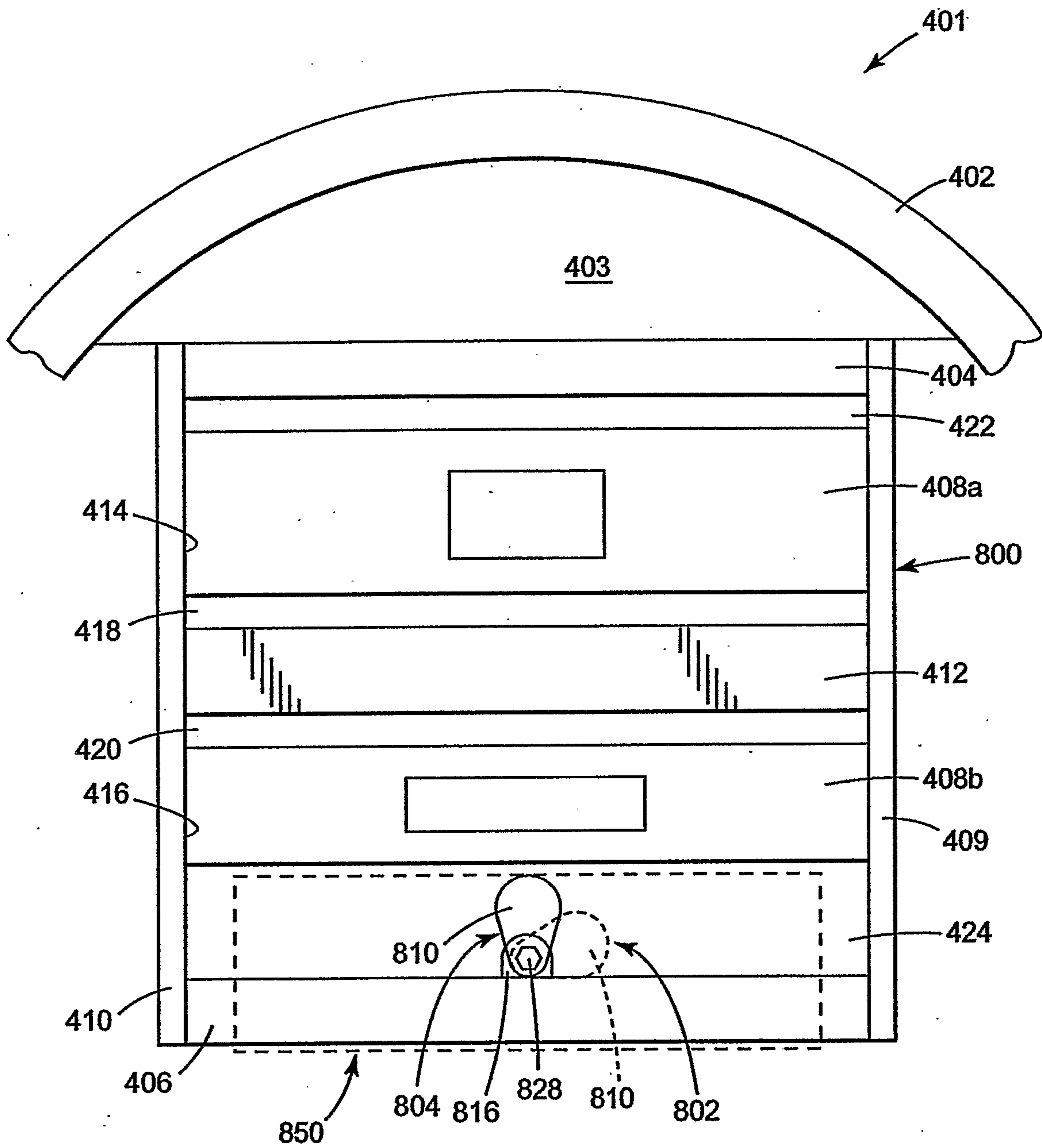
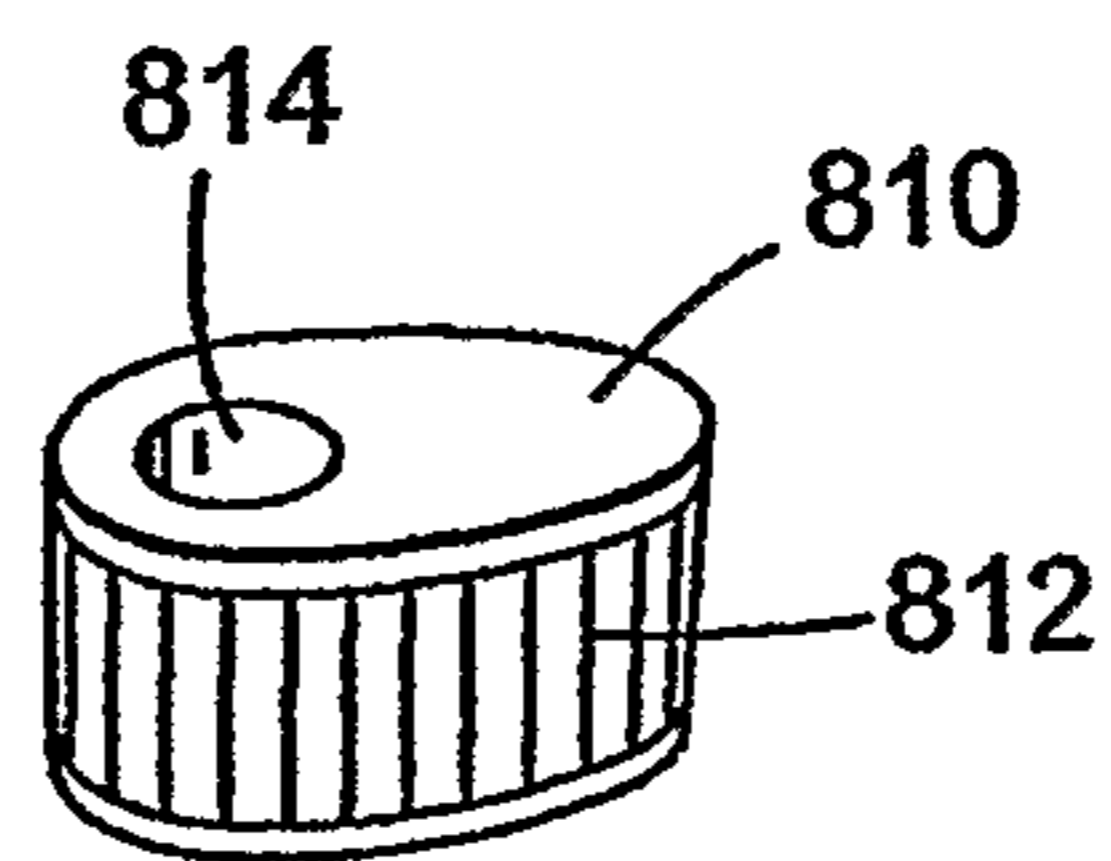
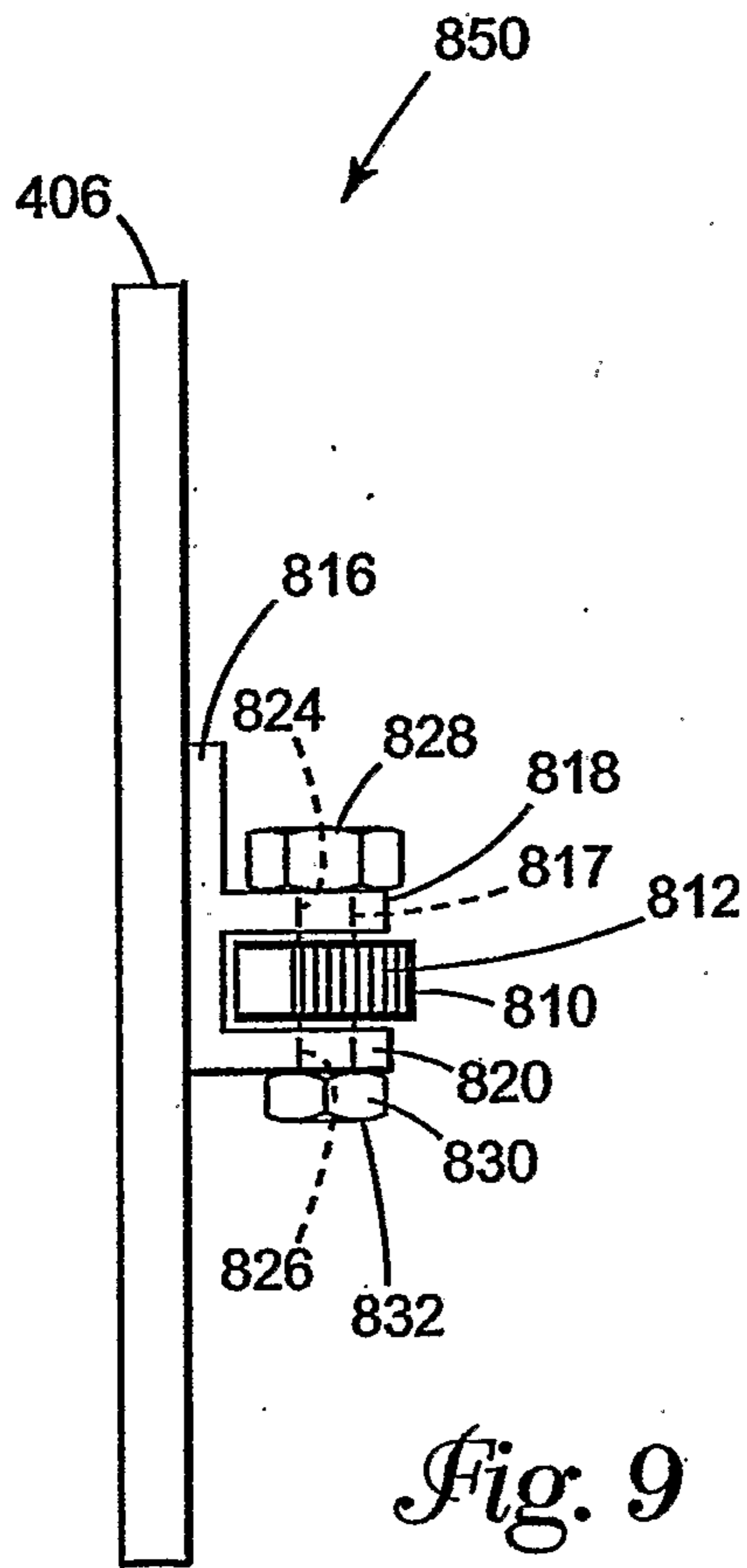


Fig. 8



8/17

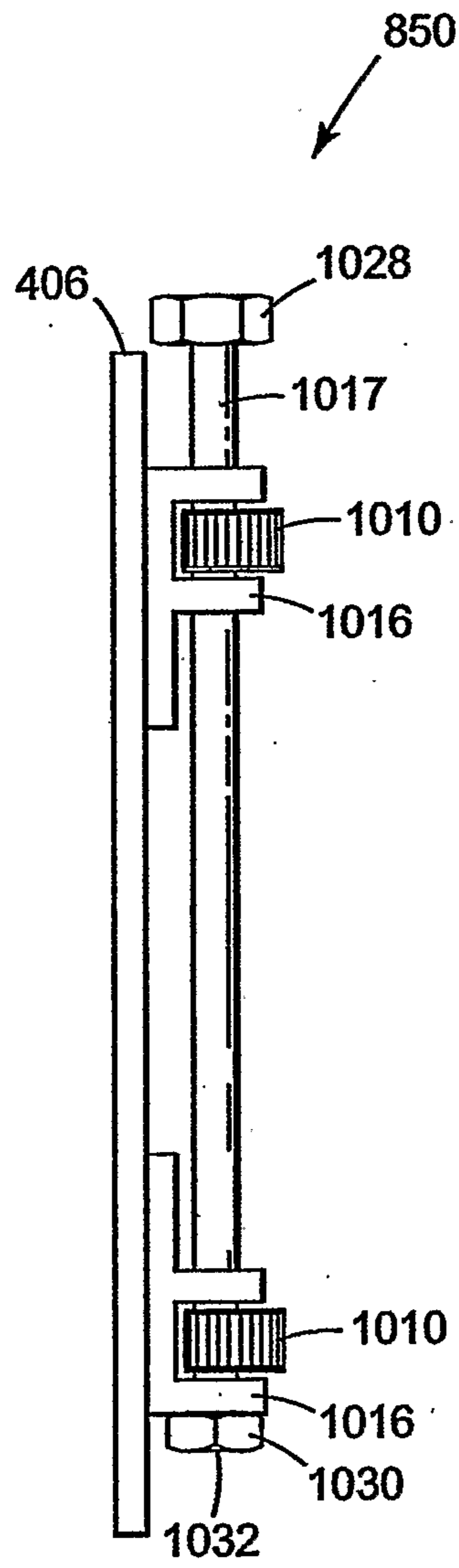


Fig. 11

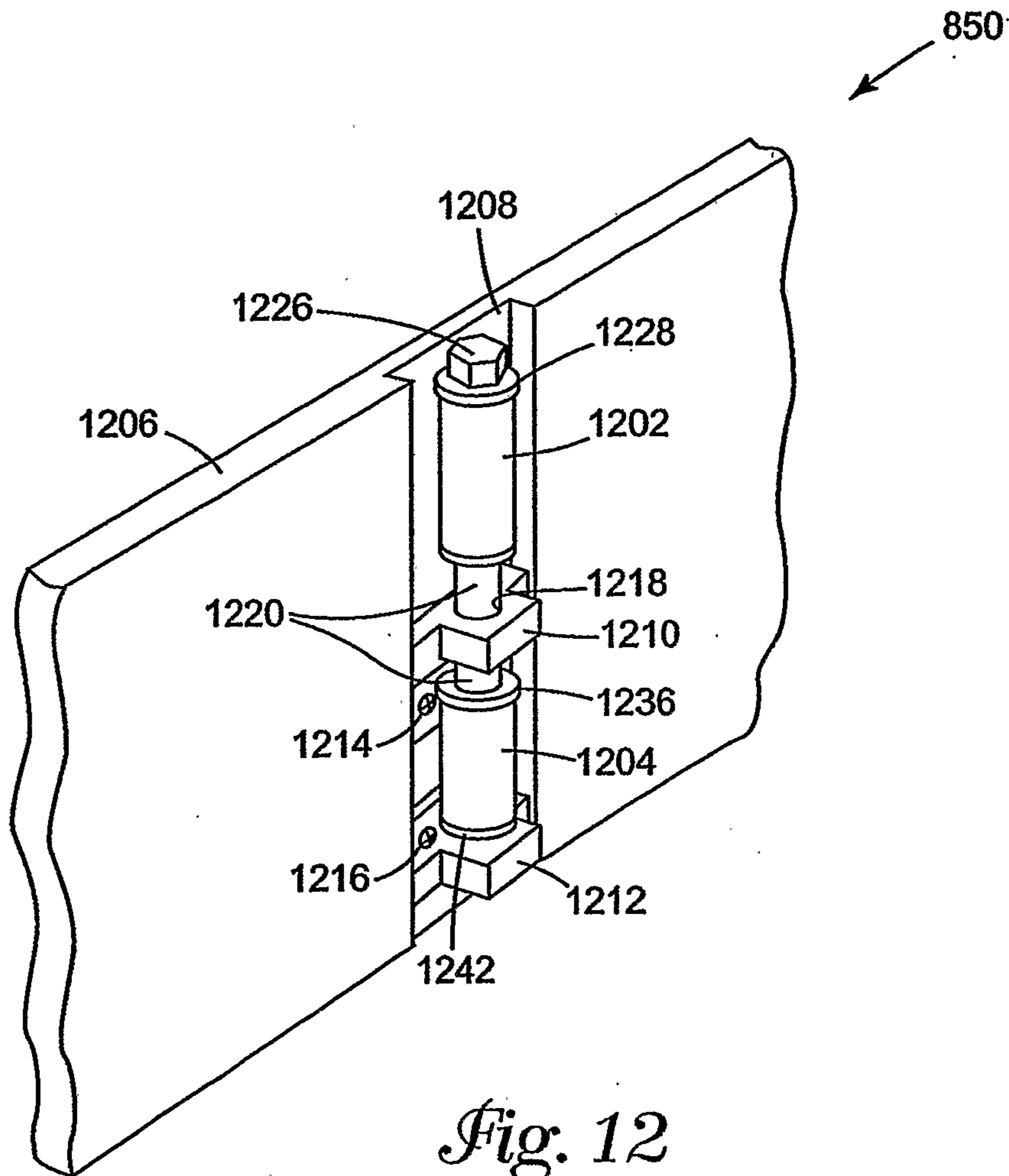


Fig. 12

10/17

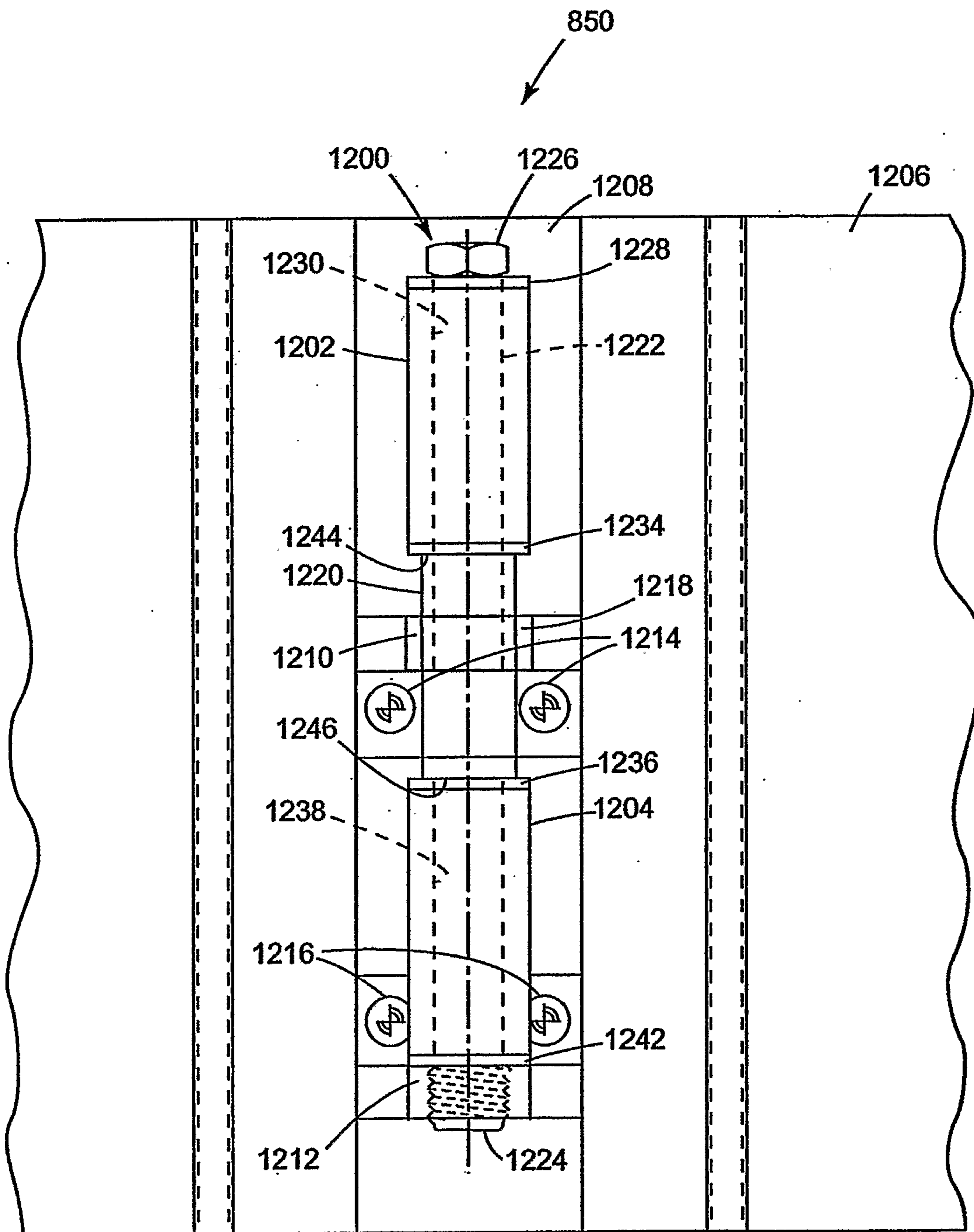


Fig. 13

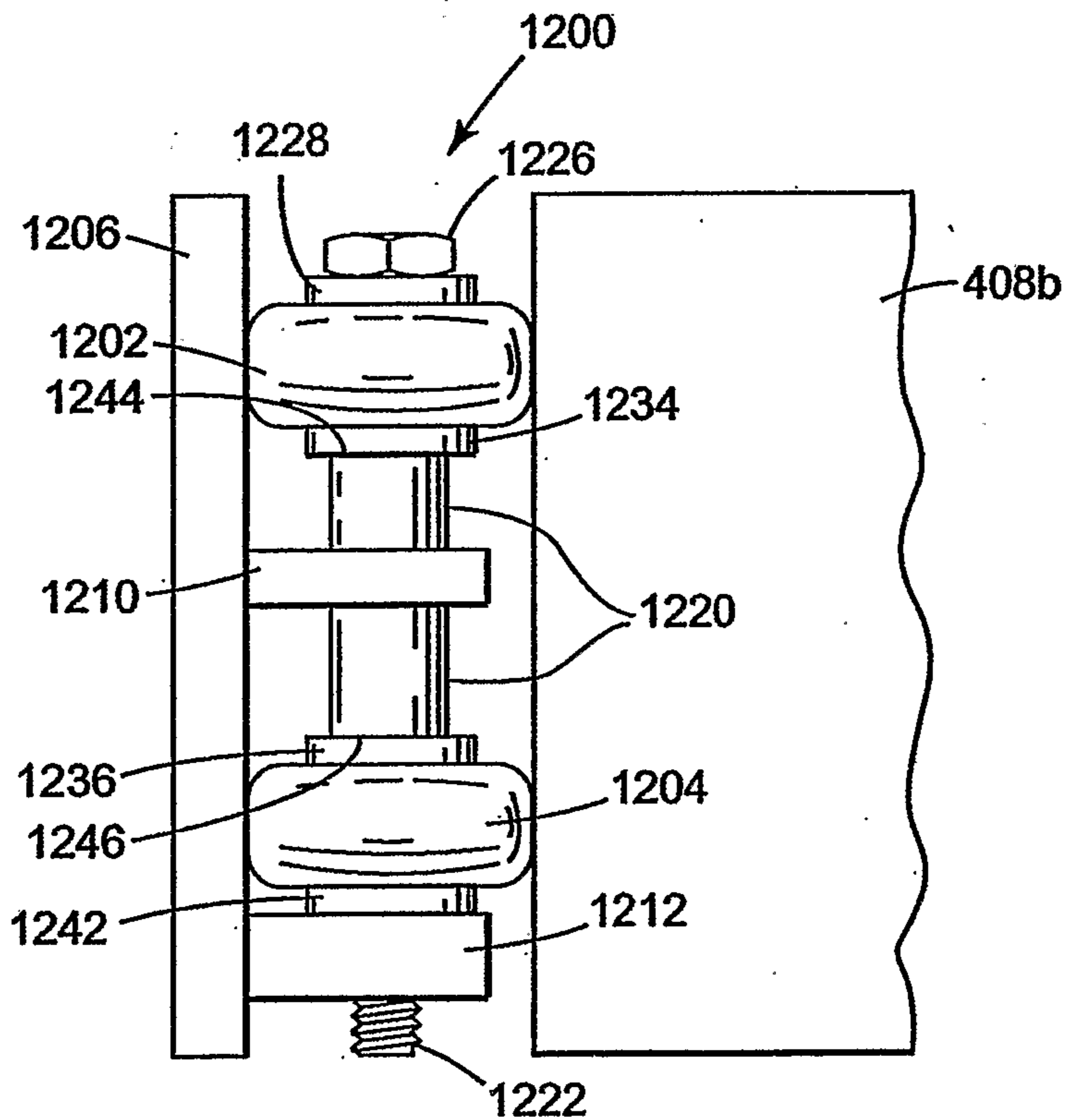


Fig. 14

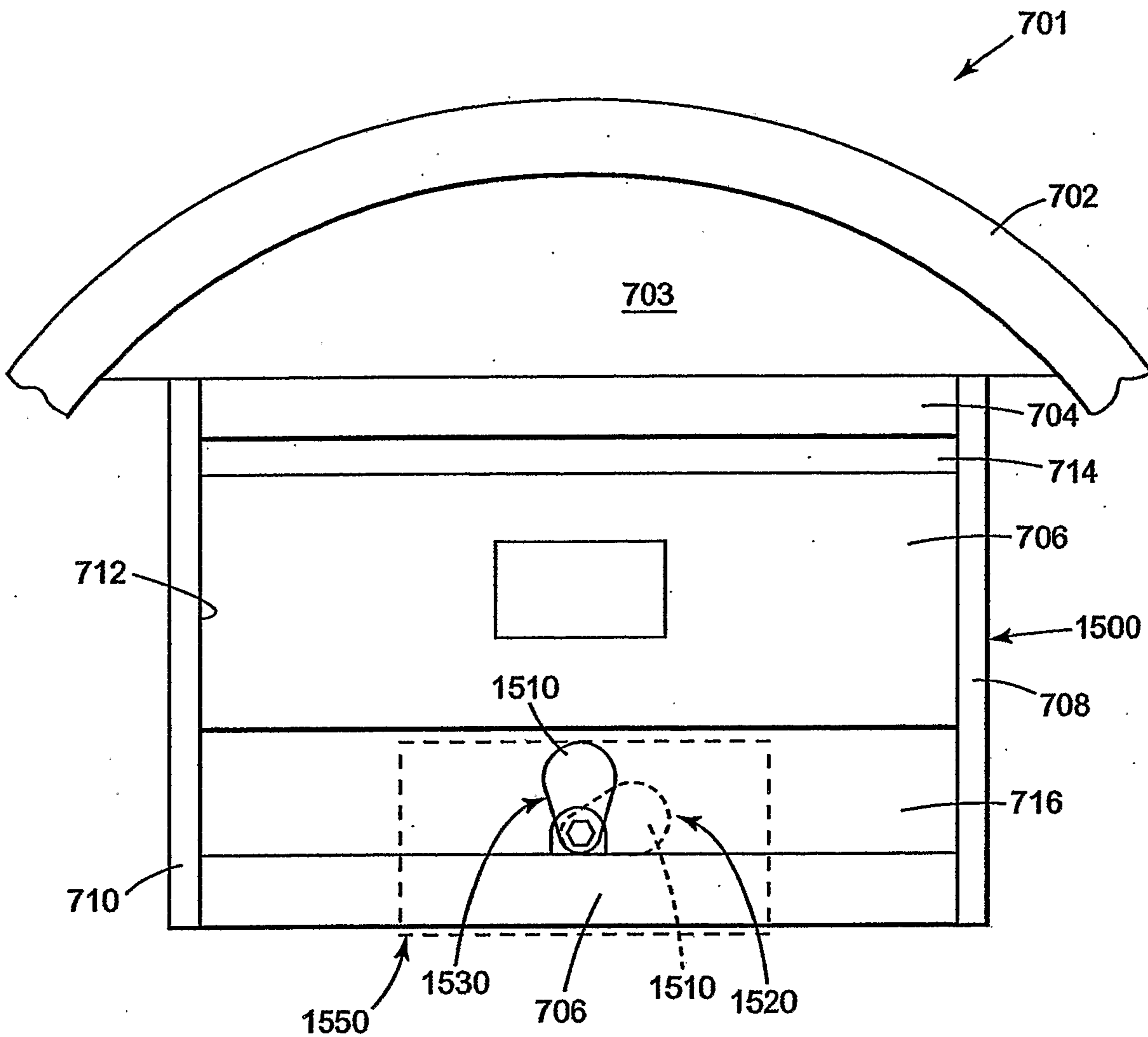


Fig. 15

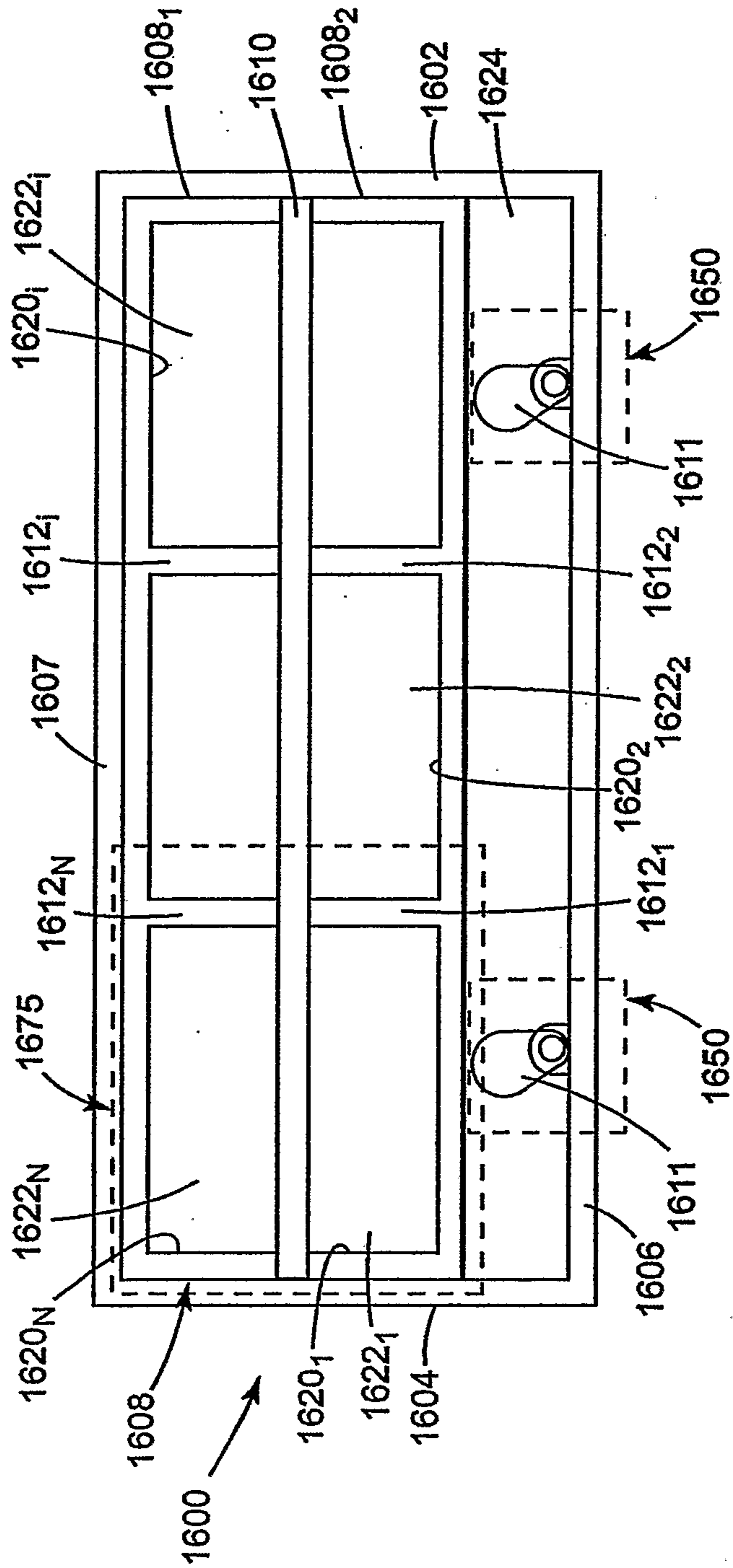


Fig. 16

14/17

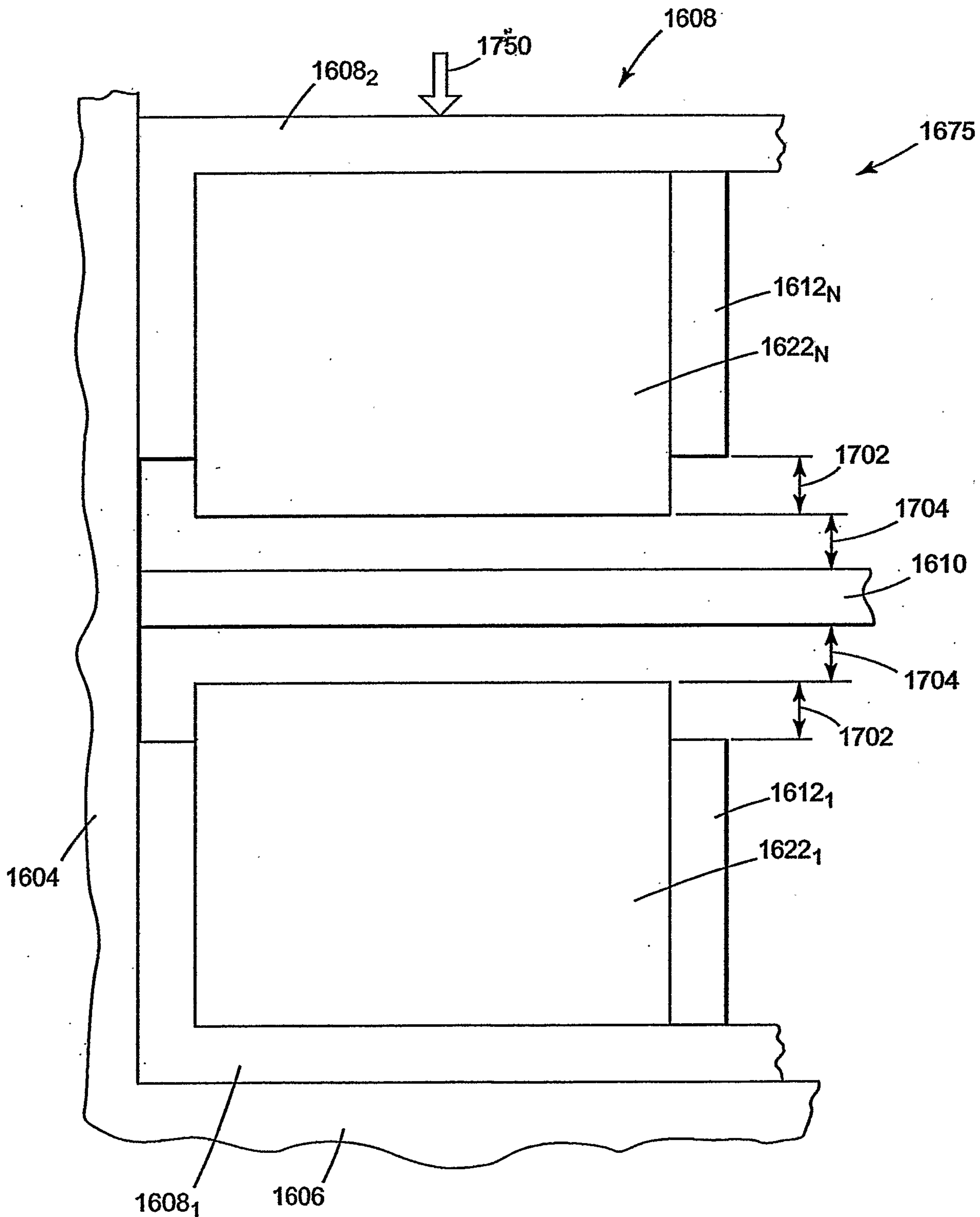


Fig. 17

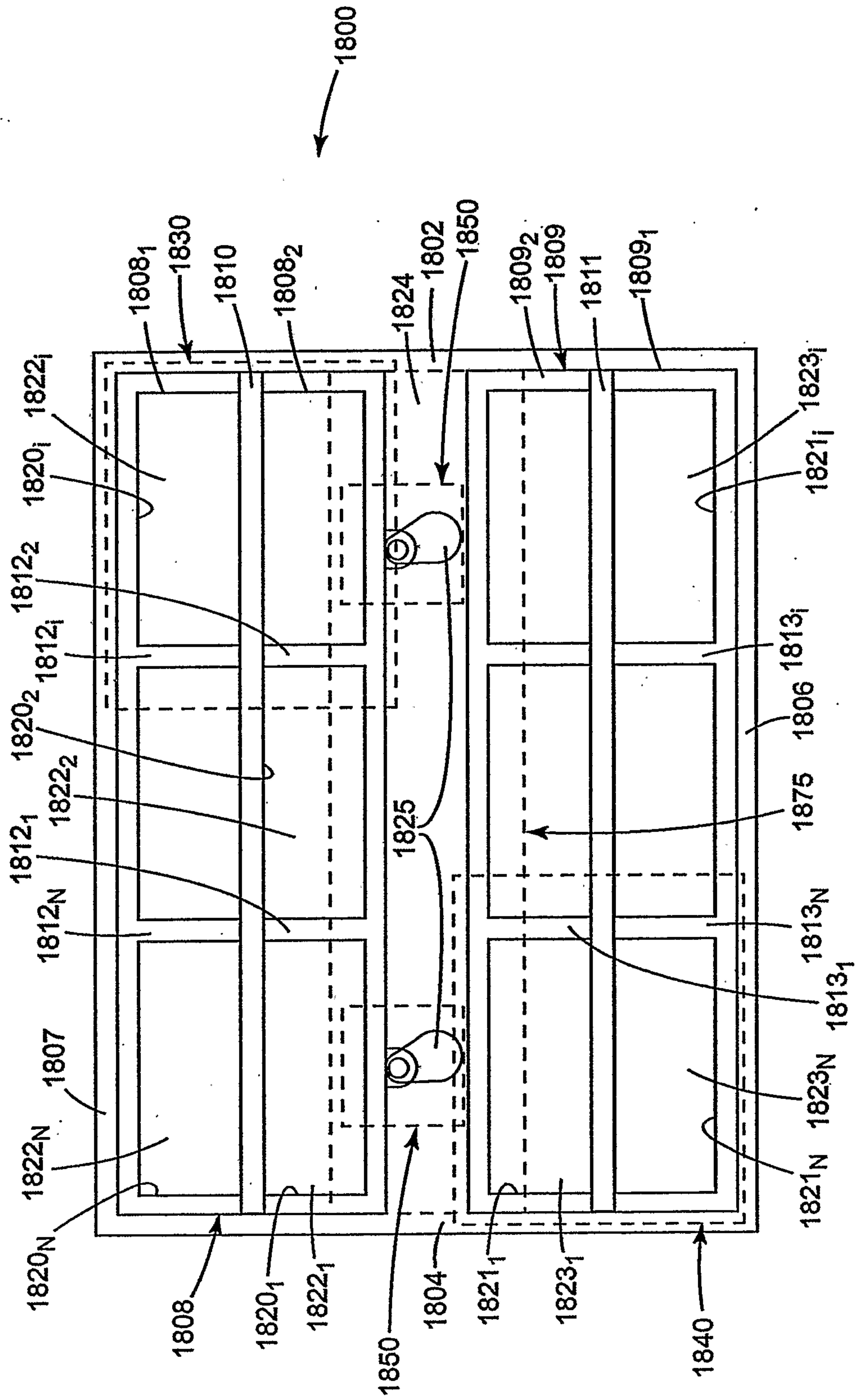


Fig. 18

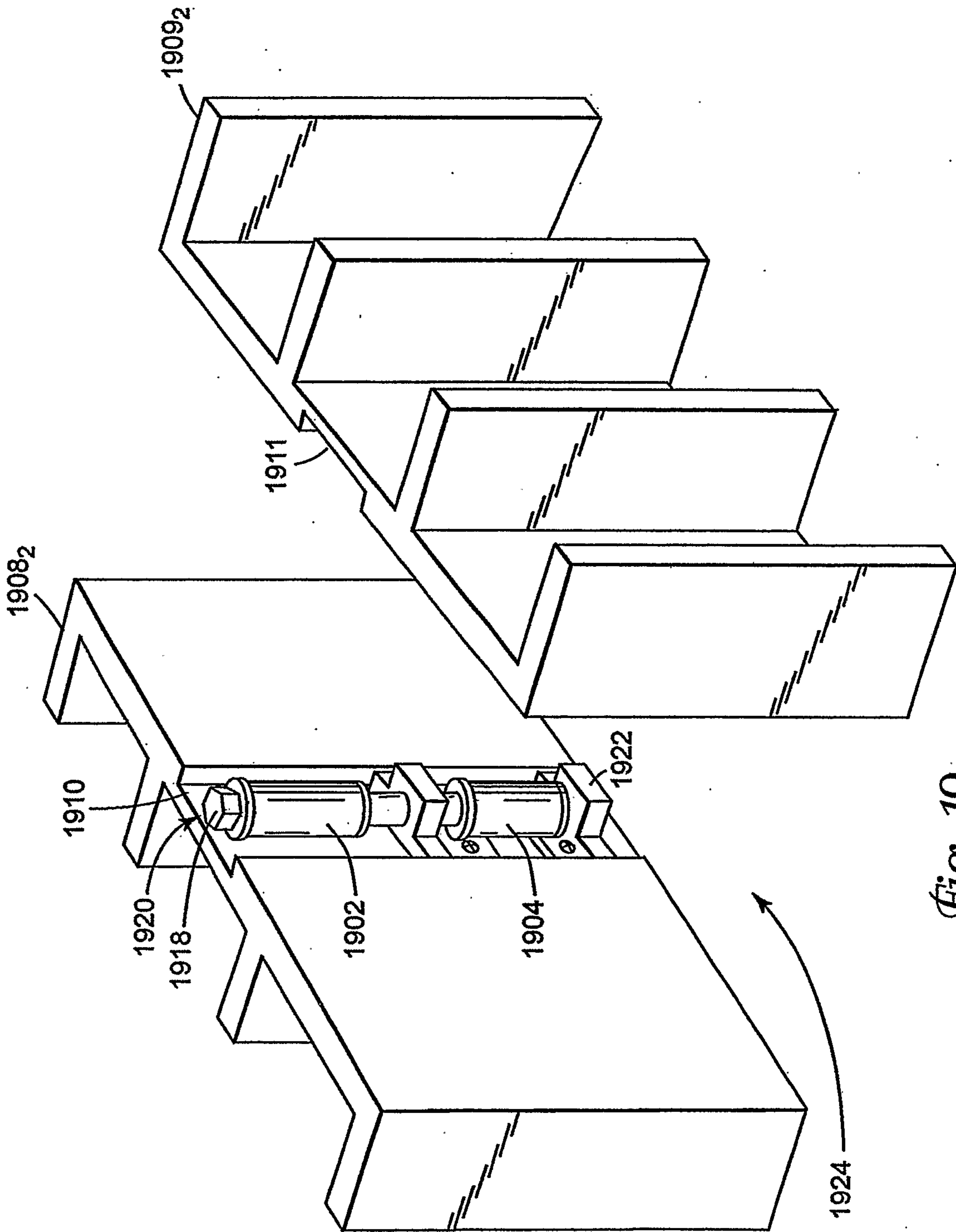


Fig. 19

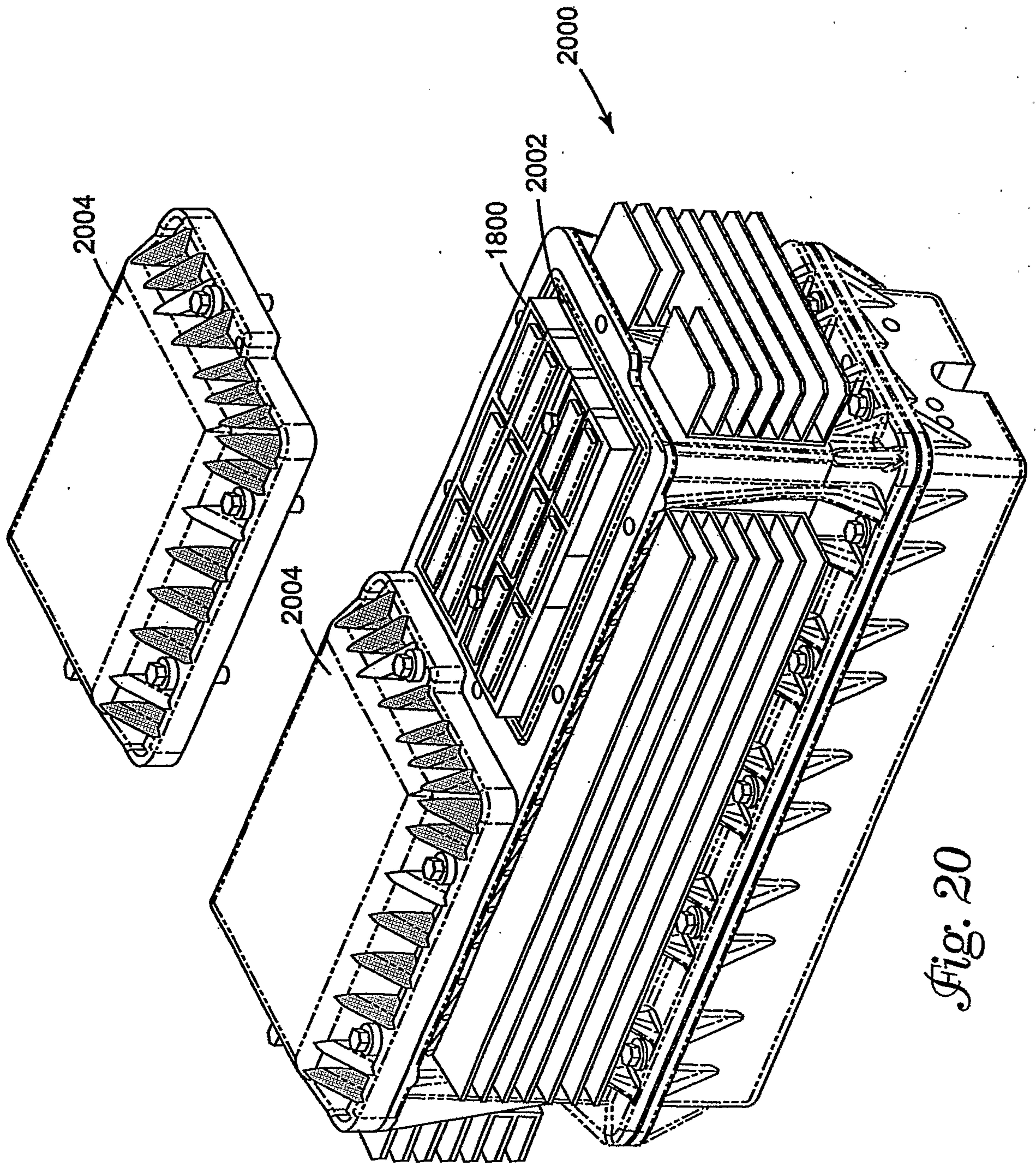


Fig. 20

