



US00D748043S

(12) **United States Design Patent**
Helin et al.

(10) **Patent No.:** **US D748,043 S**

(45) **Date of Patent:** **** Jan. 26, 2016**

(54) **TIRE**

(71) Applicant: **ARTIC INVESTMENT S.A.**,
Luxembourg (LU)

(72) Inventors: **Thomas Helin**, Nieuwerkerken (BE);
Dirk Impens, Eke (BE)

(73) Assignee: **Artic Investment S.A.**, Luxembourg
(LU)

(**) Term: **14 Years**

(21) Appl. No.: **29/502,389**

(22) Filed: **Sep. 16, 2014**

(30) **Foreign Application Priority Data**

Mar. 17, 2014 (EM) 001406086-0001

(51) **LOC (10) Cl.** **12-15**

(52) **U.S. Cl.**
USPC **D12/579; D12/605**

(58) **Field of Classification Search**
USPC D12/500-532, 568-603, 605;
152/209.1, 209.8, 209.18, 209.25,
152/209.28
CPC B60C 3/06; B60C 11/03; B60C 11/11;
B60C 11/0304; B60C 11/0318; B60C 13/003;
B60C 17/0009; B60C 2011/1227; B60C
220/10

See application file for complete search history.

(56) **References Cited**

U.S. PATENT DOCUMENTS

D412,302 S *	7/1999	Rayman	D12/579
D420,630 S *	2/2000	De Coninck	D12/600
D573,942 S *	7/2008	Song	D12/579
D612,800 S *	3/2010	Lundgren	D12/579
D620,428 S *	7/2010	Rayman	D12/579
D634,266 S *	3/2011	Shan	D12/599
D634,701 S *	3/2011	Shan	D12/599
D636,330 S *	4/2011	Pringiers	D12/593
D642,115 S *	7/2011	Pringiers	D12/579
D642,116 S *	7/2011	Pringiers	D12/586
D662,038 S *	6/2012	Mayni	D12/600

OTHER PUBLICATIONS

Michelin Truck Tire Reference Chart: Jan. 2012, posted at michelintruck.com, [site visited Nov. 20, 2015]. Available from Internet, <URL: http://www.michelintruck.com/assets/pdf/Truck%20Tire%20Reference%20Chart_Jan2012.pdf>.*

* cited by examiner

Primary Examiner — Marianne Pandozzi

Assistant Examiner — Aula Soroush

(74) *Attorney, Agent, or Firm* — Kirschstein, Israel, Schiffmiller & Pieroni, P.C.

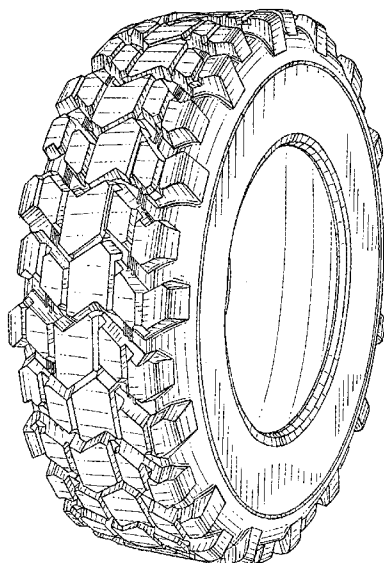
(57) **CLAIM**

The ornamental design for a tire, as shown and described.

DESCRIPTION

FIG. 1 is a perspective view of a tire according to our new design.
FIG. 2 is a front elevational view thereof, the rear, top and bottom views being mirror images; and,
FIG. 3 is a side elevational view thereof, the opposite side view being a mirror image.

1 Claim, 3 Drawing Sheets



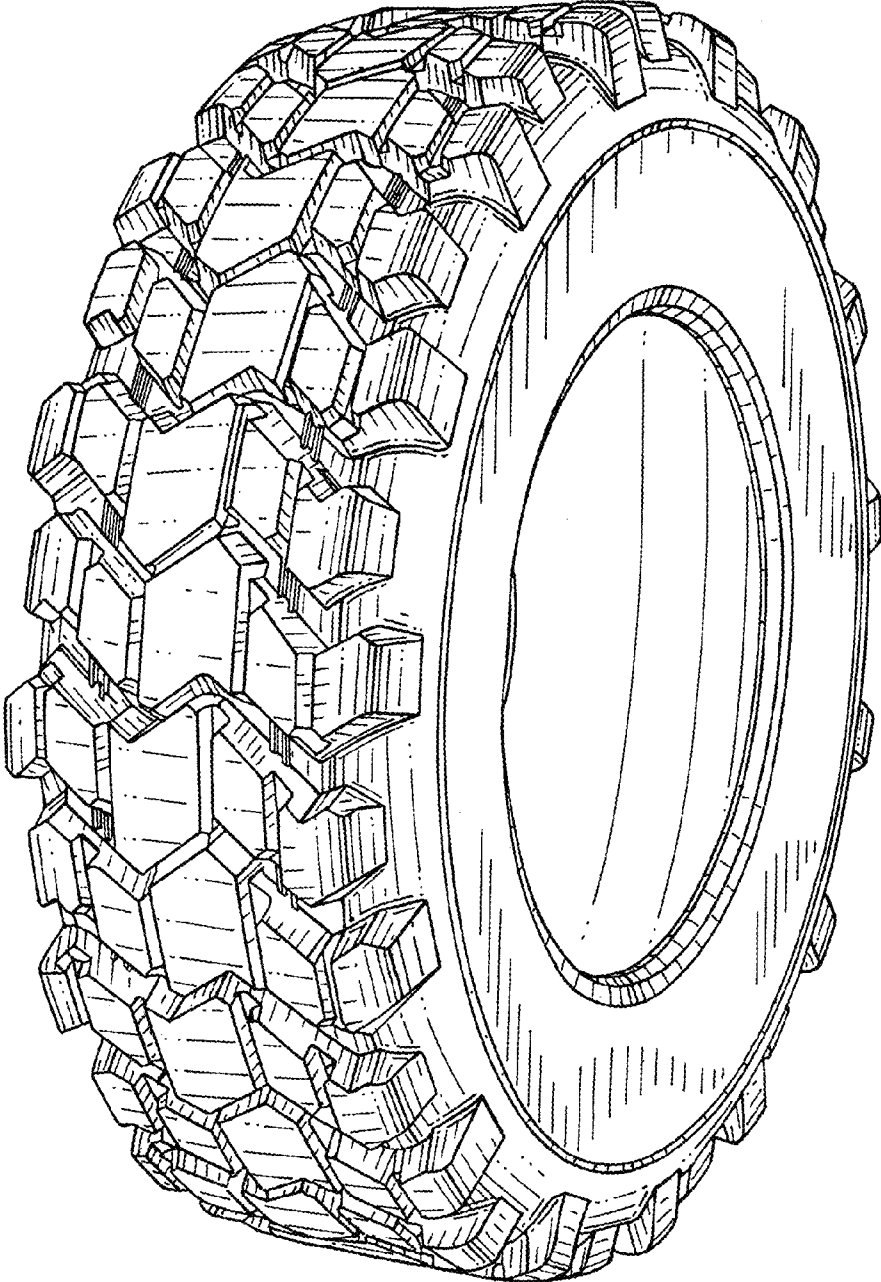


FIG. 1

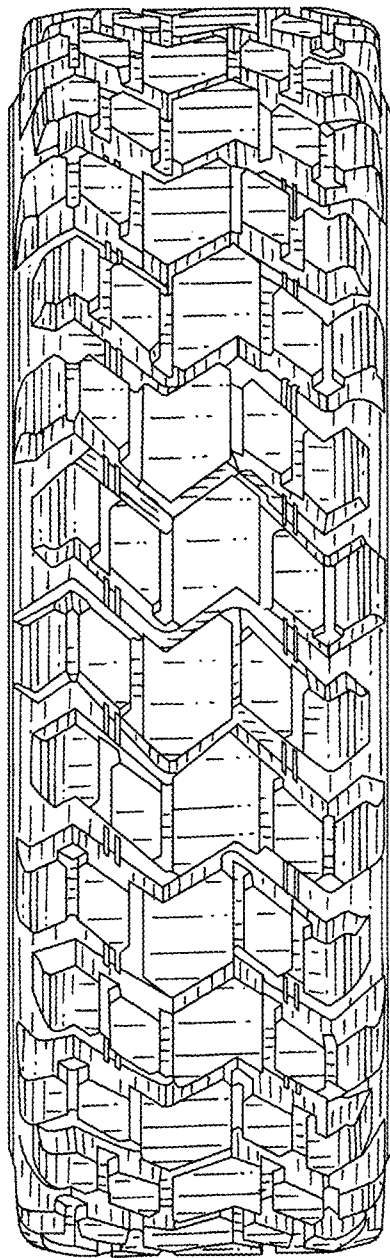


FIG. 2

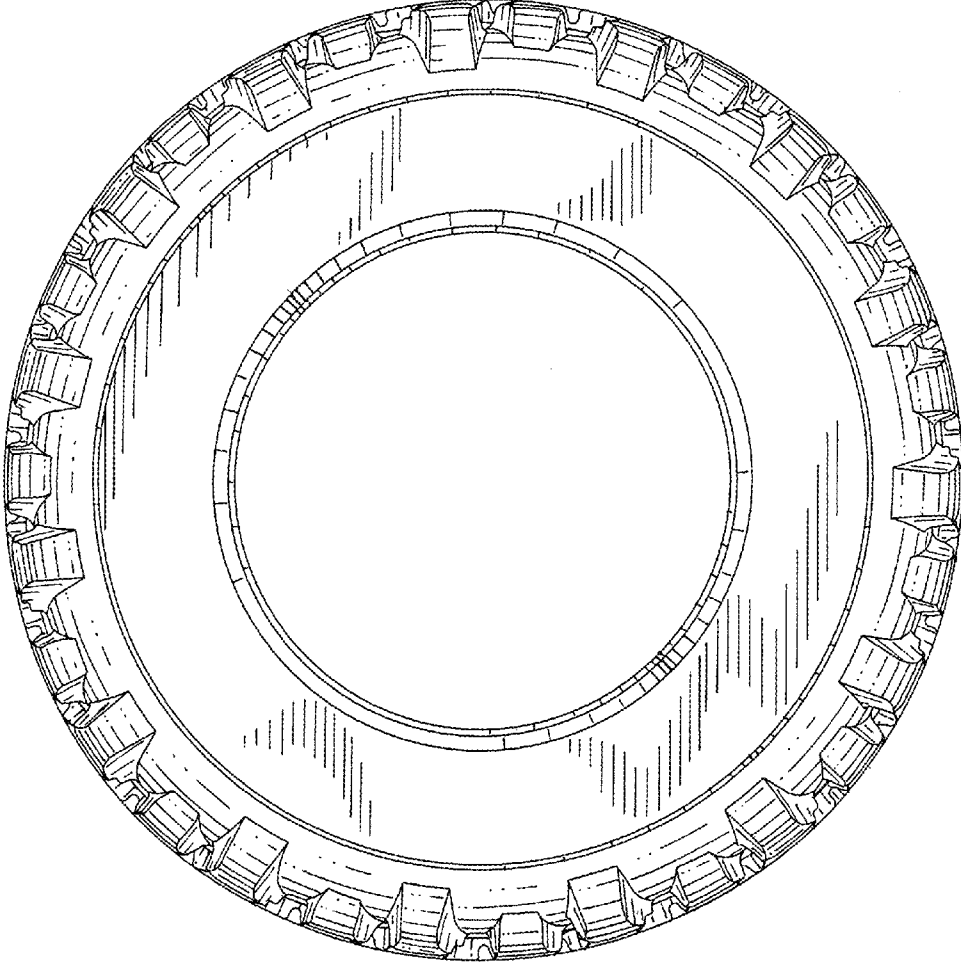


FIG. 3