



US00D600893S

(12) **United States Design Patent**  
**Hayashida**

(10) **Patent No.:** **US D600,893 S**

(45) **Date of Patent:** **\*\* Sep. 29, 2009**

(54) **MODULAR CAP**

**DESCRIPTION**

(75) Inventor: **Mami Hayashida**, Tokyo (JP)

(73) Assignee: **Route Creative Works Co., Ltd.**, Tokyo (JP)

(\*\*) Term: **14 Years**

(21) Appl. No.: **29/328,835**

(22) Filed: **Dec. 2, 2008**

(30) **Foreign Application Priority Data**

Jun. 2, 2008 (JP) ..... 2008-013941

(51) **LOC (9) Cl.** ..... **02-03**

(52) **U.S. Cl.** ..... **D2/891**

(58) **Field of Classification Search** ..... D2/865,  
D2/866, 870, 871, 872, 873, 874, 875, 876,  
D2/877, 878, 879, 880, 881, 882, 883, 884,  
D2/886, 887, 888, 889, 890, 891, 892, 893,  
D2/894; 2/10, 171, 171.03, 171.5, 172, 183,  
2/209.11, 209.12, 209.13, 209.3, 175.1, 195.1,  
2/195.2, 195.4, 195.7, 200.1, 200.2; 362/106

See application file for complete search history.

(56) **References Cited**

**U.S. PATENT DOCUMENTS**

2,066,713 A \* 1/1937 Bowland ..... 223/66

(Continued)

**FOREIGN PATENT DOCUMENTS**

GB 3007100 \* 11/2002

*Primary Examiner*—Elizabeth A Albert

*Assistant Examiner*—Karen E Eldridge Powers

(74) *Attorney, Agent, or Firm*—Baker & McKenzie LLP

(57) **CLAIM**

The ornamental design for a modular cap, as shown and described.

FIG. 1 is a front view of the modular cap in accordance with my design;

FIG. 2 is a rear view of the modular cap shown in FIG. 1;

FIG. 3 is a left side view of the modular cap shown in FIGS. 1–2;

FIG. 4 is a right side view of the modular cap shown in FIGS. 1–3;

FIG. 5 is a top view of the modular cap shown in FIGS. 1–4;

FIG. 6 is a bottom view of the modular cap shown in FIGS. 1–5;

FIG. 7 is a cross sectional view of the modular cap shown in FIGS. 1–6 taken along line 7–7;

FIG. 8 is a top view of the modular cap shown in FIGS. 1–7 when in use;

FIG. 9 is a top view of the modular cap shown in FIGS. 1–7 in an alternate state of use;

FIG. 10 is a front view of the modular cap shown in FIGS. 1–7 in use as attached to a wall hanger;

FIG. 11 is a right side view of the modular cap shown in FIGS. 1–7 in use as attached to a wall hanger;

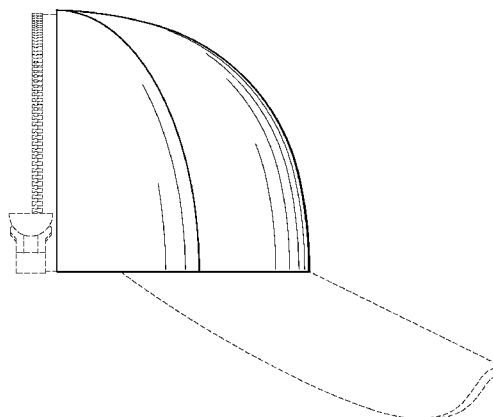
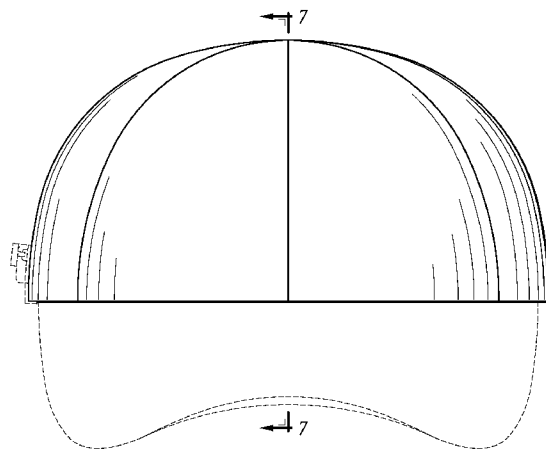
FIG. 12 is a front view showing the wall hanger of FIGS. 10–11 for attaching the modular cap;

FIG. 13 is a right side view showing the wall hanger of FIGS. 10–12 for attaching the modular cap; and,

FIG. 14 is an enlarged right side view of a side fastener of the wall hanger shown in FIGS. 10–12 for attaching the modular cap.

The broken lines showing a visor and a zipper in FIGS. 1–7, two visors, a zipper and a second modular cap in FIG. 8, a zipper, a visor and a second modular cap in FIG. 9, a wall hanger in FIGS. 10–13, five visors and zipper pulls in FIG. 10, five fastening structures in FIG. 11, and a single fastener in FIG. 14 illustrate environmental matter and form no part of the claimed design.

**1 Claim, 8 Drawing Sheets**



# US D600,893 S

Page 2

## U.S. PATENT DOCUMENTS

2,106,571	A *	1/1938	Lipton	2/171.5	6,560,785	B1 *	5/2003	Taguchi	2/171.1
3,258,781	A *	7/1966	Klein	2/88	D488,293	S *	4/2004	Norway, Jr.	D2/882
5,070,545	A *	12/1991	Tapia	40/329	6,824,027	B2 *	11/2004	Frey	223/14
5,244,102	A *	9/1993	Koenig	211/32	6,840,411	B2 *	1/2005	Fritz	223/24
D374,548	S *	10/1996	Hartland	D2/884	D504,003	S *	4/2005	Lee	D2/882
5,613,246	A *	3/1997	Alexander	2/10	6,892,894	B2 *	5/2005	Aiken	211/30
5,845,338	A *	12/1998	Clark	2/195.1	D534,347	S *	1/2007	Prentice	D3/238
D403,490	S *	1/1999	Posner	D2/866	D546,031	S *	7/2007	Pearson et al.	D2/876
D424,282	S *	5/2000	Crumpton et al.	D2/876	D552,830	S *	10/2007	Irwin	D2/882
D425,688	S *	5/2000	Richlin	D2/865	D582,131	S *	12/2008	French et al.	D2/866
D427,751	S *	7/2000	Richlin	D2/866	2003/0093851	A1 *	5/2003	Maya	2/195.1
6,311,879	B1 *	11/2001	Rigler et al.	223/84	2005/0251894	A1 *	11/2005	Marsh et al.	2/195.3
6,507,956	B1 *	1/2003	Kronenbeger	2/195.1	2006/0277658	A1 *	12/2006	Marsh et al.	2/171
					2007/0044203	A1 *	3/2007	Hall	2/171

\* cited by examiner

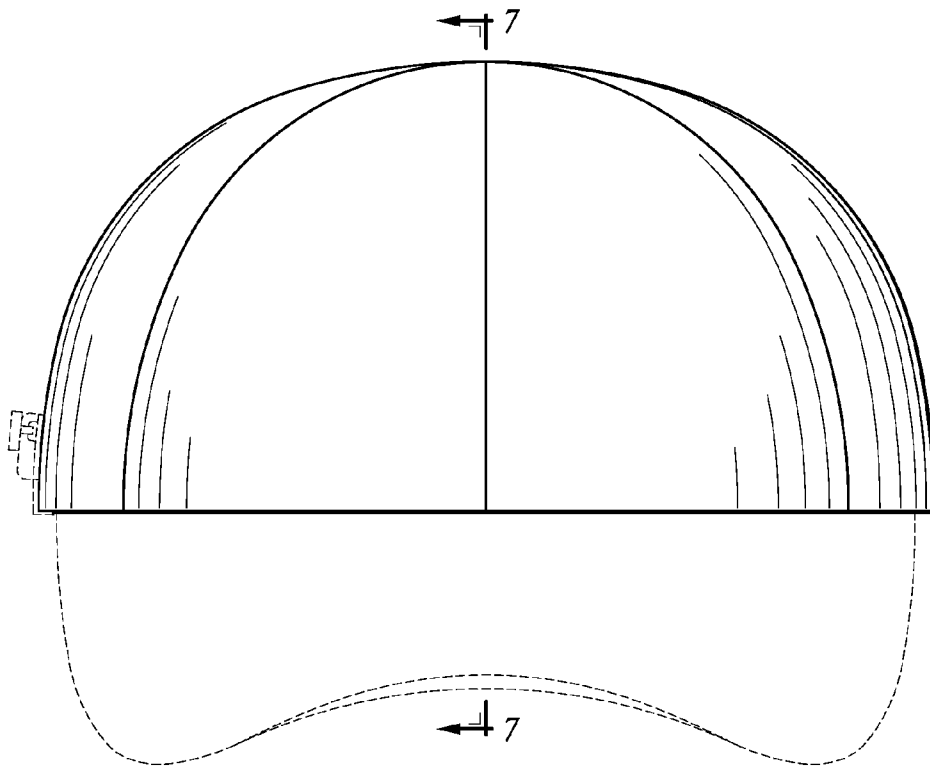


FIG. 1

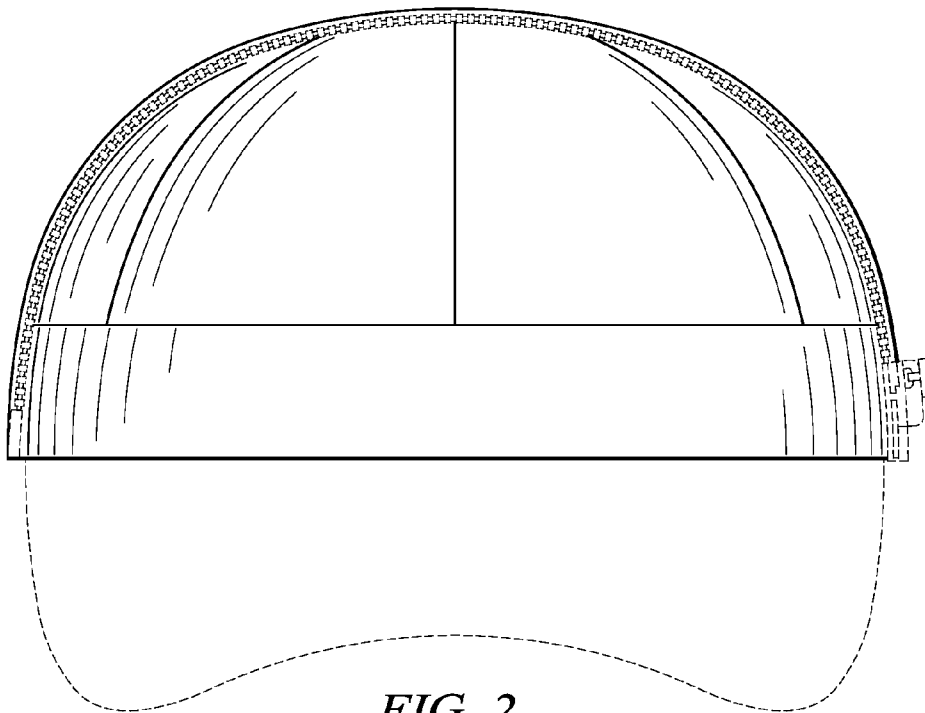
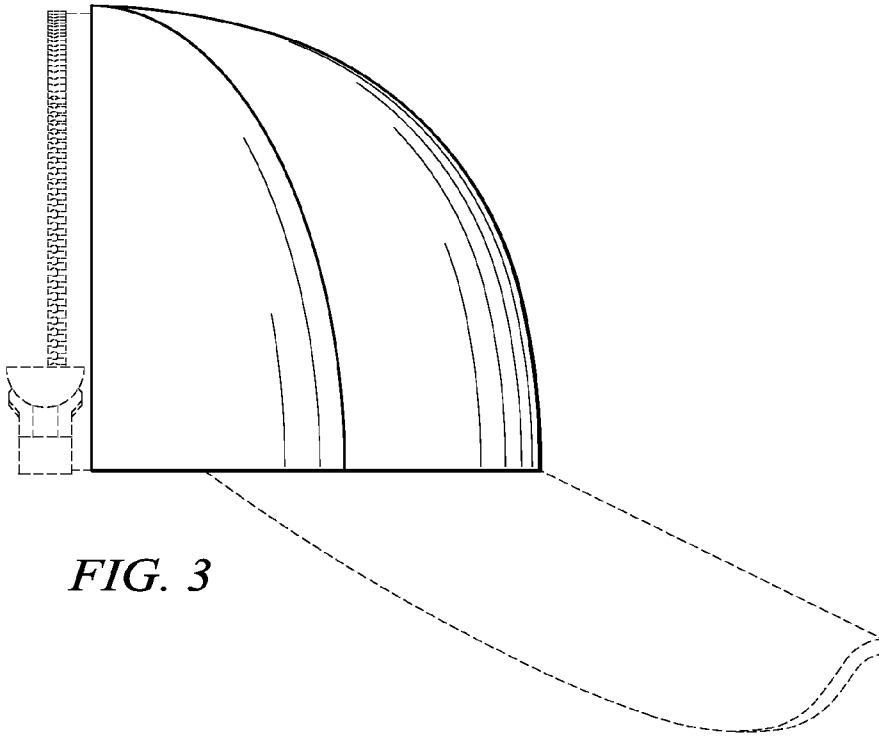
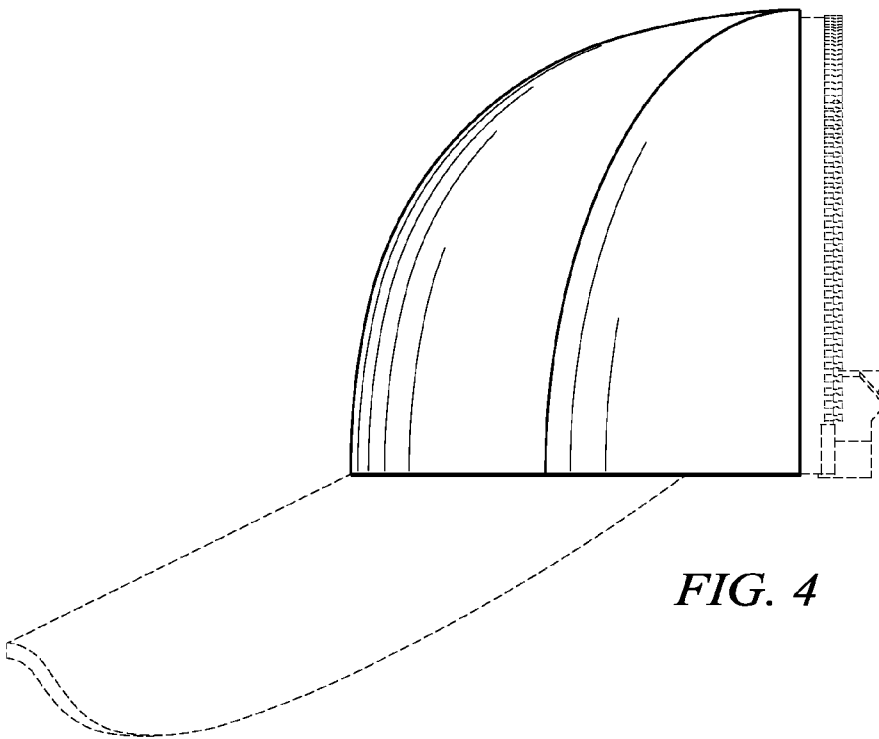


FIG. 2



*FIG. 3*



*FIG. 4*

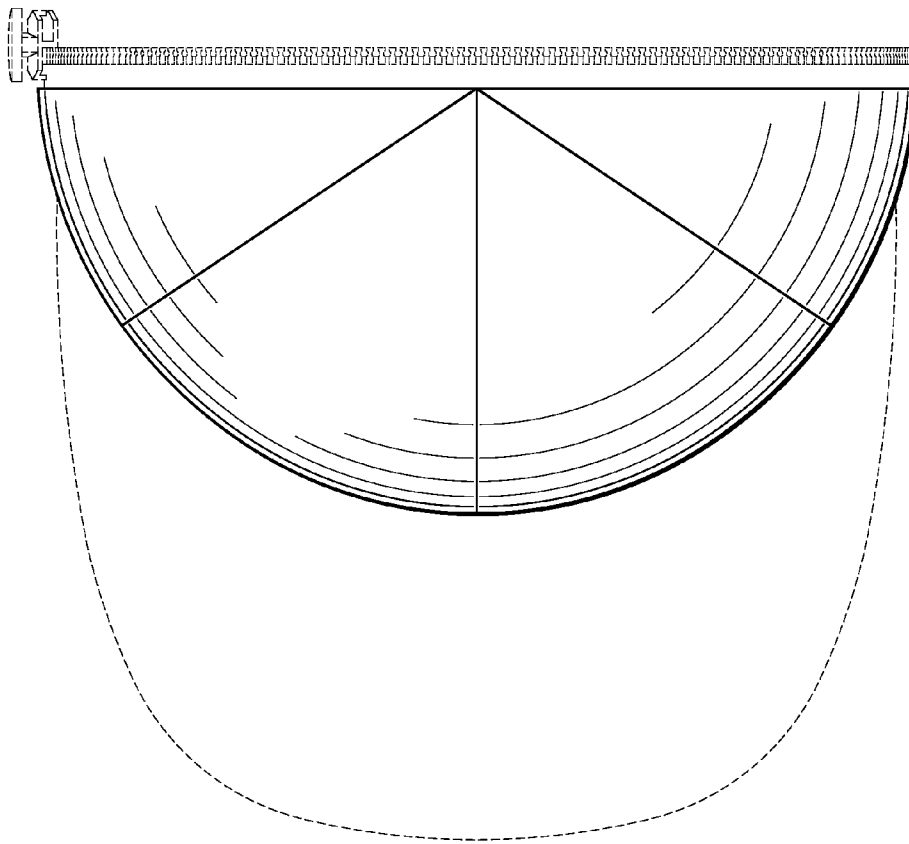


FIG. 5

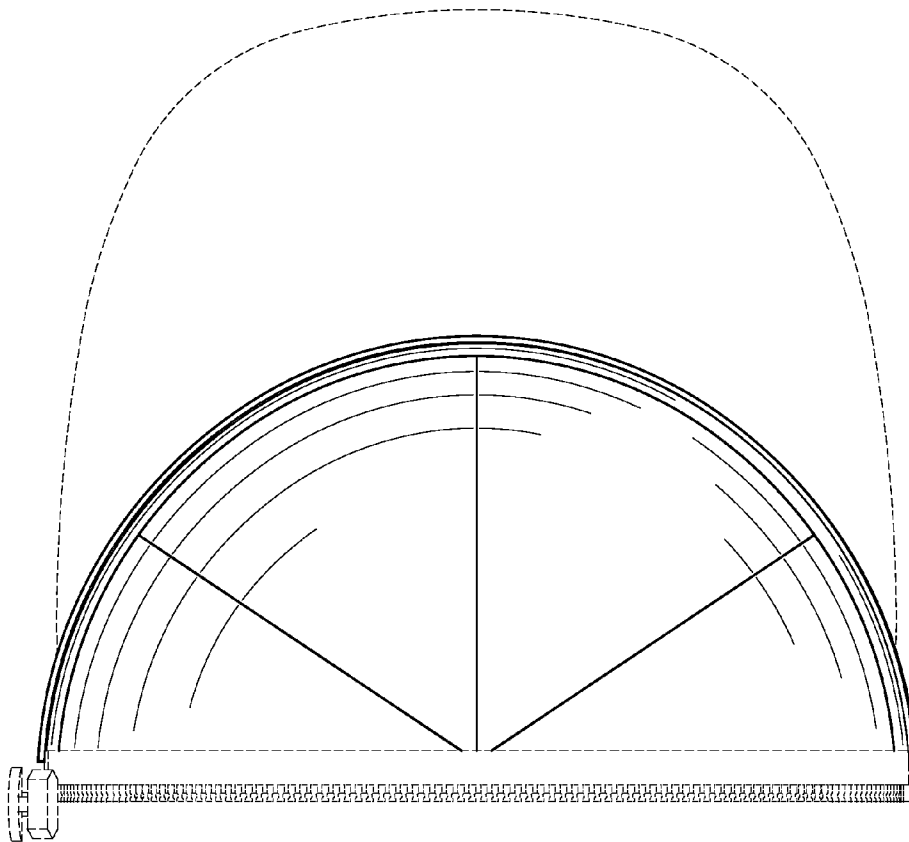
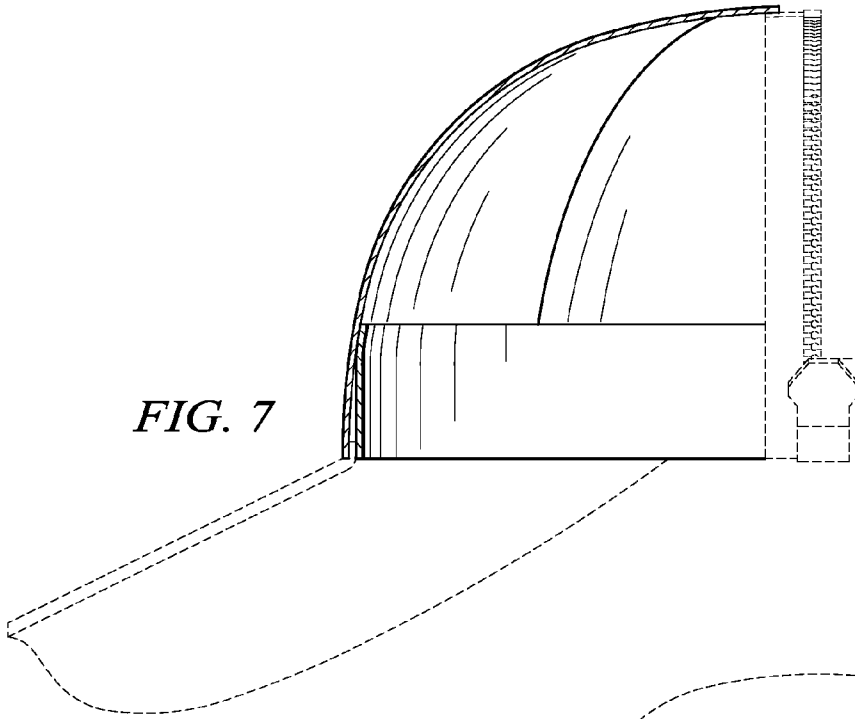
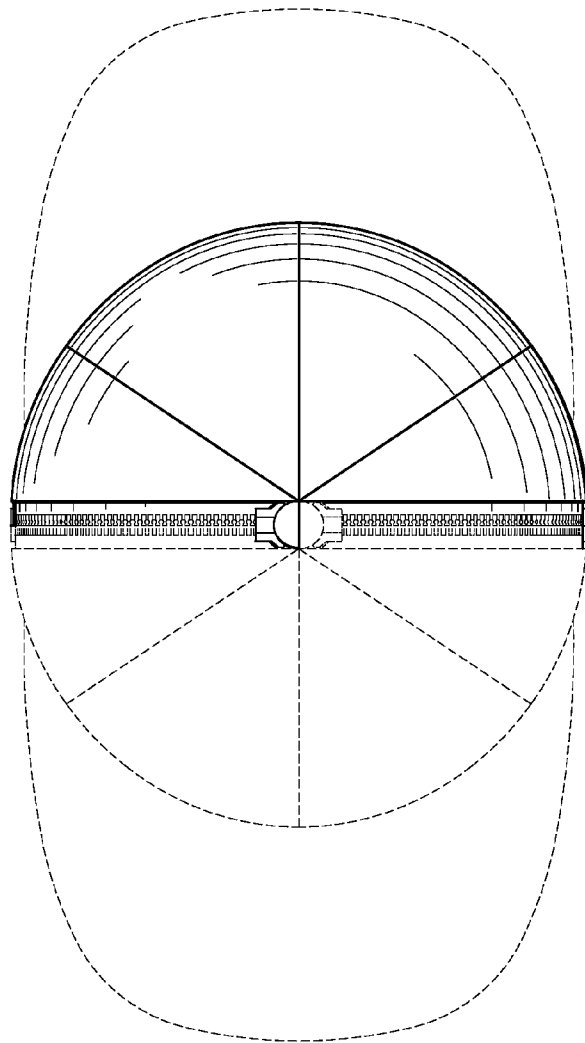


FIG. 6

*FIG. 7*



*FIG. 8*



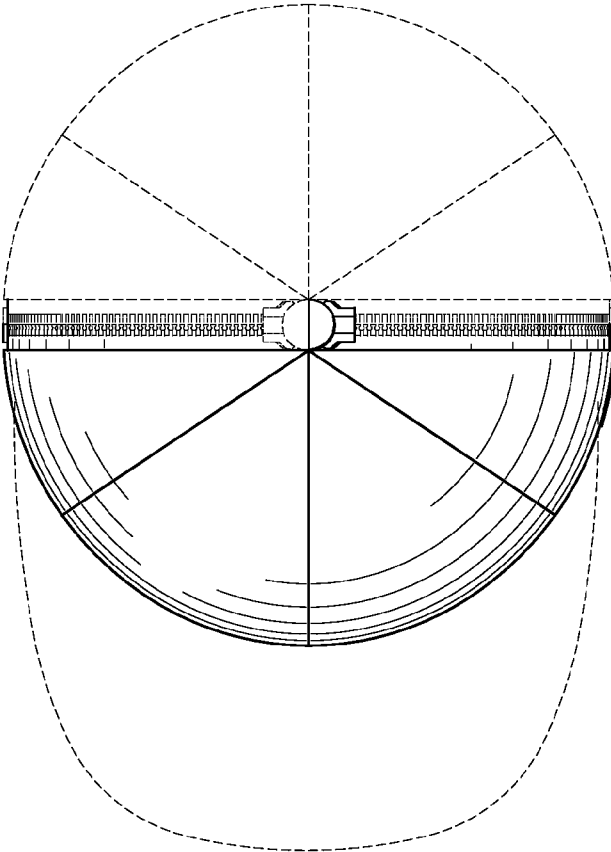


FIG. 9

FIG. 10

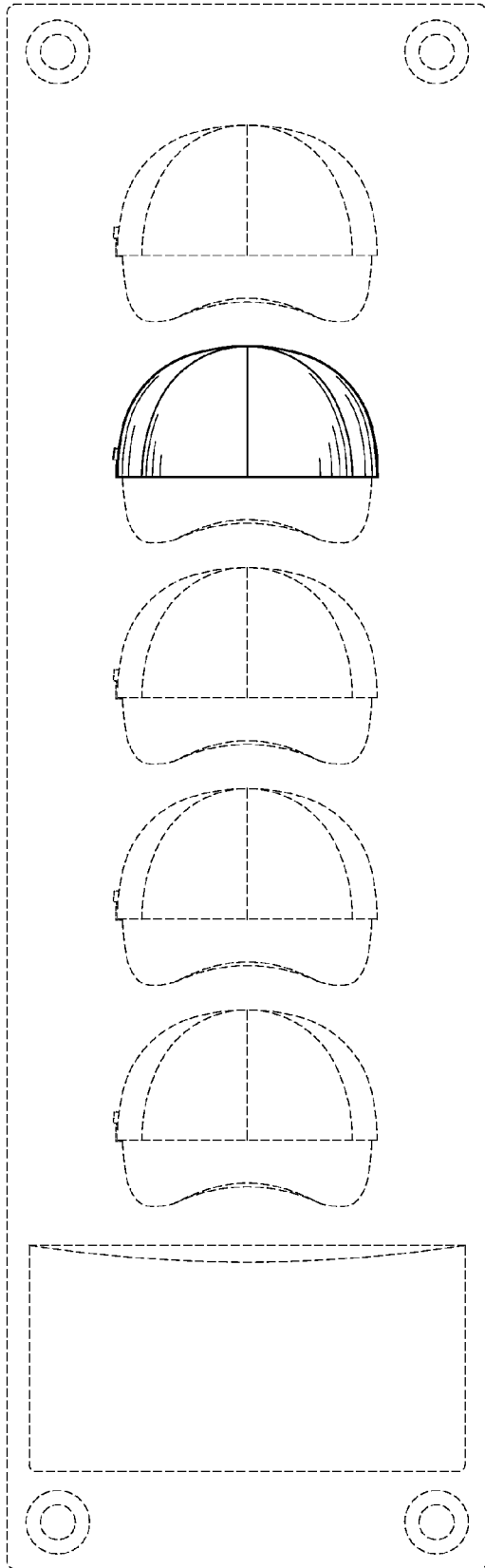


FIG. 11

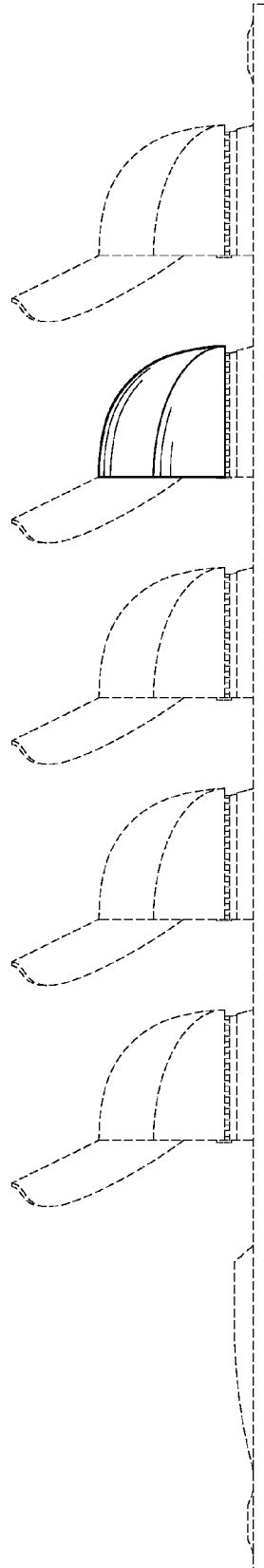


FIG. 12

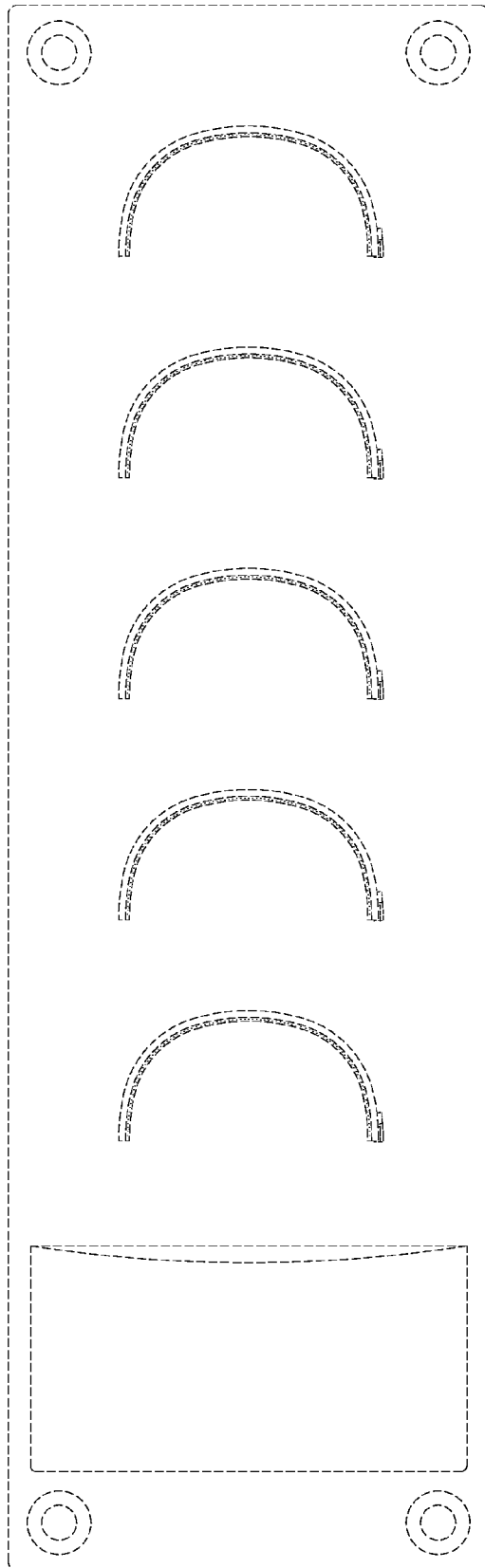
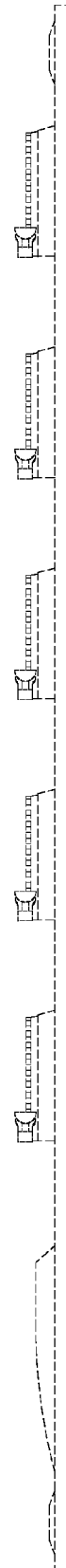
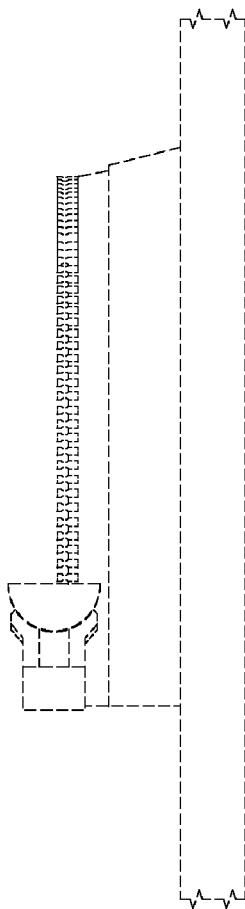


FIG. 13





*FIG. 14*