



US00D565374S

(12) **United States Design Patent**  
**Zhang**

(10) **Patent No.:** **US D565,374 S**

(45) **Date of Patent:** **\*\* Apr. 1, 2008**

(54) **DRILL**

(75) Inventor: **Zhi Zhang**, Nanjing (CN)

(73) Assignee: **Nanjing Chervon Industry Co., Ltd.**,  
Nanjing (CN)

(\*\*) Term: **14 Years**

(21) Appl. No.: **29/268,979**

(22) Filed: **Nov. 17, 2006**

(30) **Foreign Application Priority Data**

Jun. 13, 2006 (CN) ..... 2006 3 0087803

(51) **LOC (8) Cl.** ..... **08-01**

(52) **U.S. Cl.** ..... **D8/68**

(58) **Field of Classification Search** ..... D8/14.1,  
D8/61-70; 81/57.11, 429, 454-456, 469,  
81/489; 173/13, 104, 114, 168-171, 178,  
173/201, 211, 213, 217; 408/20, 124, 125,  
408/234, 241 R; 451/358; 310/50; 227/8,  
227/113, 114, 120, 130, 136, 142

See application file for complete search history.

(56) **References Cited**

**U.S. PATENT DOCUMENTS**

D377,442 S \* 1/1997 Kikuchi ..... D8/68  
D402,871 S \* 12/1998 Clowers et al. .... D8/68  
D419,413 S \* 1/2000 Heun ..... D8/68  
D420,877 S \* 2/2000 Schultz ..... D8/68  
D420,879 S \* 2/2000 Watson et al. .... D8/70  
D421,883 S \* 3/2000 Watson et al. .... D8/68  
D428,320 S \* 7/2000 Ohi et al. .... D8/68

D460,674 S \* 7/2002 Heun ..... D8/68  
D506,914 S \* 7/2005 Okuda ..... D8/68  
D515,381 S \* 2/2006 Ng ..... D8/68  
D525,848 S \* 8/2006 Kokawa ..... D8/68  
D527,971 S \* 9/2006 Kokawa ..... D8/68  
D534,404 S \* 1/2007 Concari ..... D8/68  
D539,110 S \* 3/2007 Okuda et al. .... D8/68  
2005/0249564 A1 \* 11/2005 Van Bergen et al. ... 408/241 R  
2006/0104735 A1 \* 5/2006 Zeiler et al. .... 408/241 R

**FOREIGN PATENT DOCUMENTS**

GB 2052392 S \* 11/1995  
GB 3000904 S \* 1/2002  
GB 3001146 S \* 1/2002  
GB 3001389 S \* 2/2002

\* cited by examiner

*Primary Examiner*—T. Chase Nelson

(74) *Attorney, Agent, or Firm*—Butzel Long

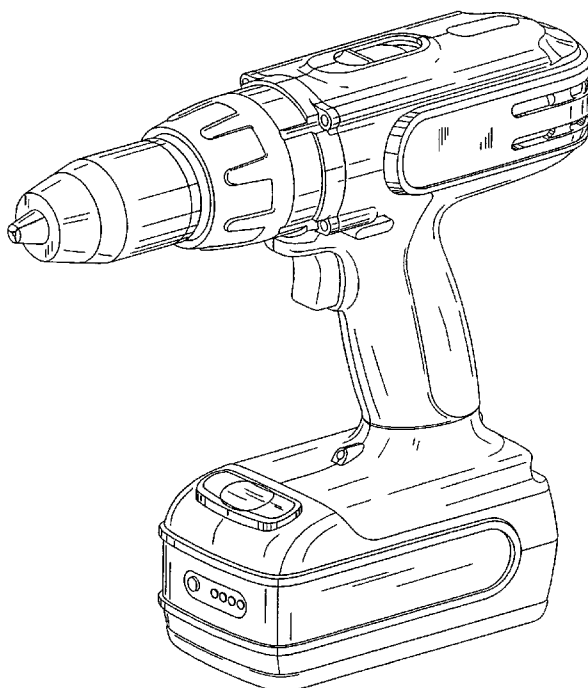
(57) **CLAIM**

The ornamental design for a drill, as shown and described.

**DESCRIPTION**

FIG. 1 is a front elevational view of the design;  
FIG. 2 is a rear elevational view of the drill in FIG. 1;  
FIG. 3 is a left side elevational view of the drill in FIG. 1;  
FIG. 4 is a right side elevational view of the drill in FIG. 1;  
FIG. 5 is a top plan view of the drill in FIG. 1;  
FIG. 6 is a bottom plan view of the drill in FIG. 1; and,  
FIG. 7 is a perspective view of the drill of FIG. 1.

**1 Claim, 5 Drawing Sheets**



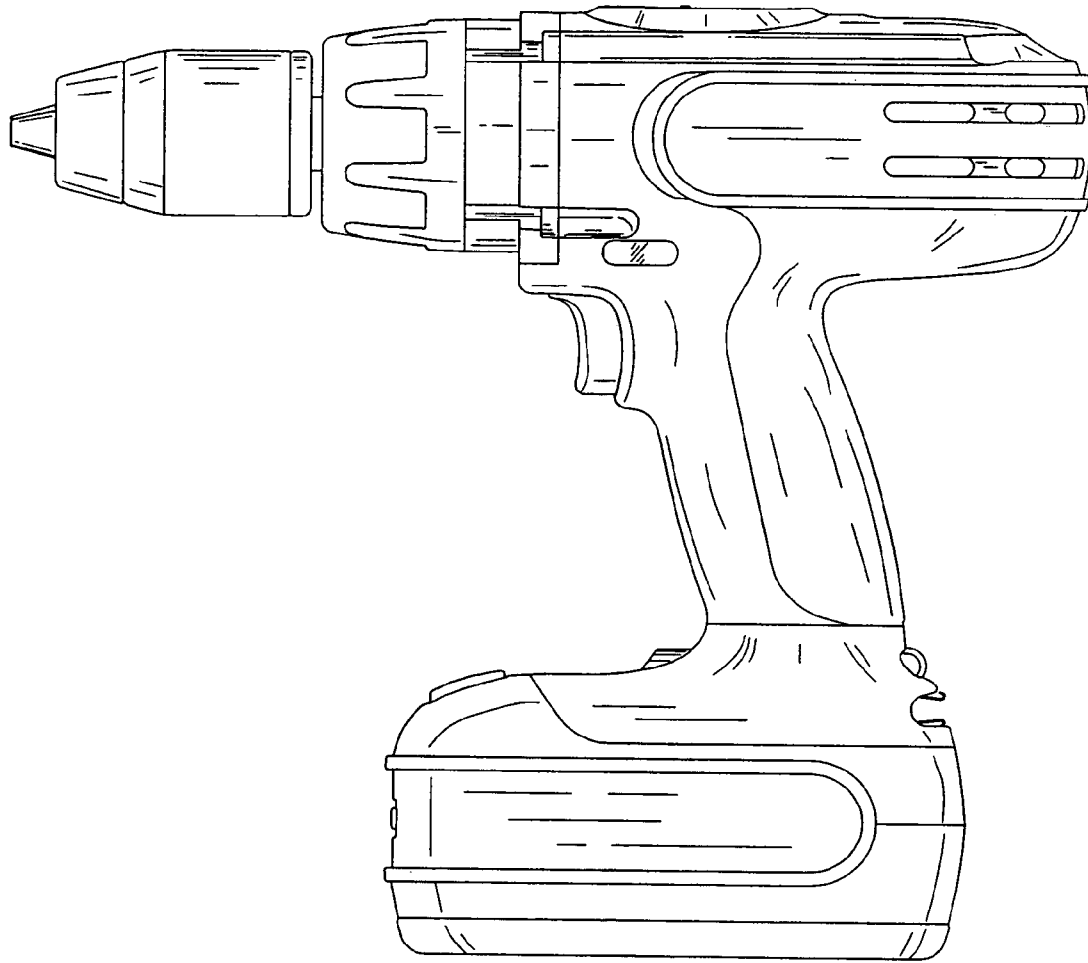


FIG 1

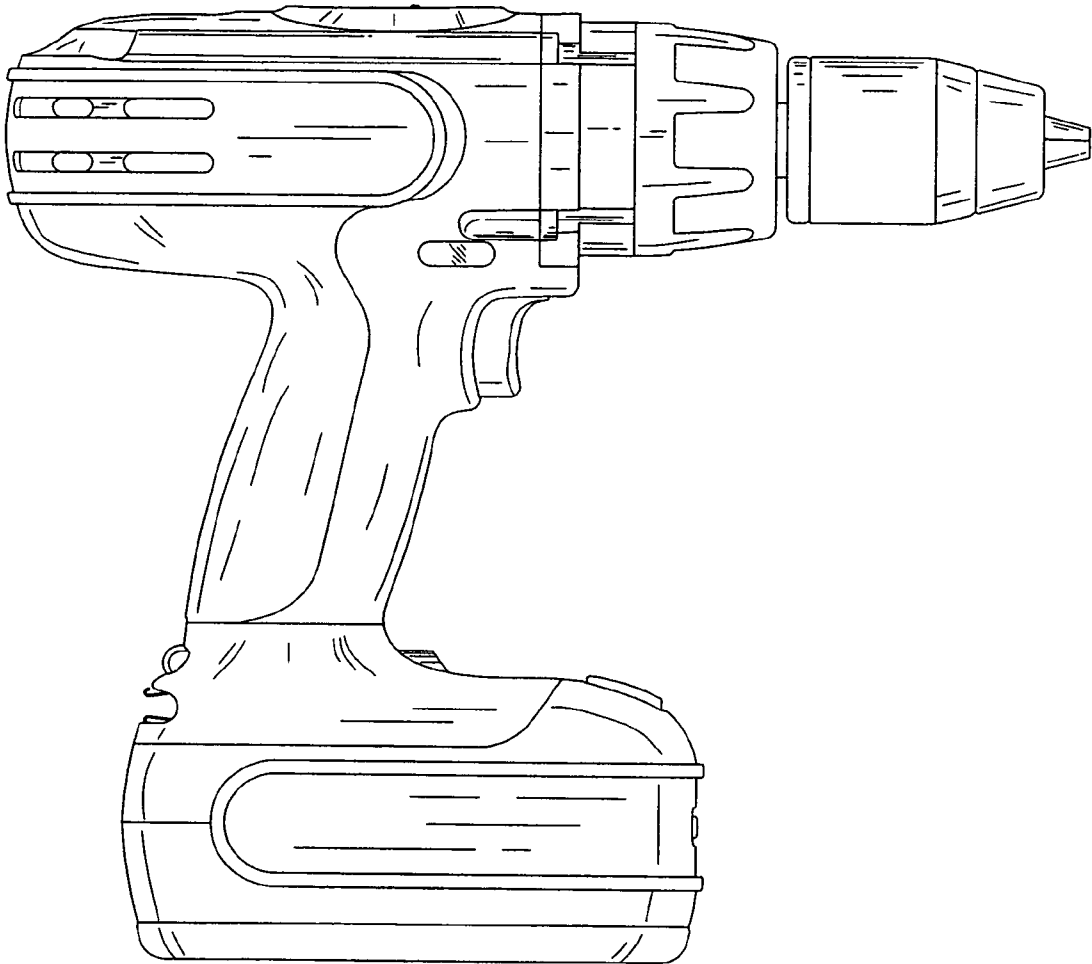


FIG 2

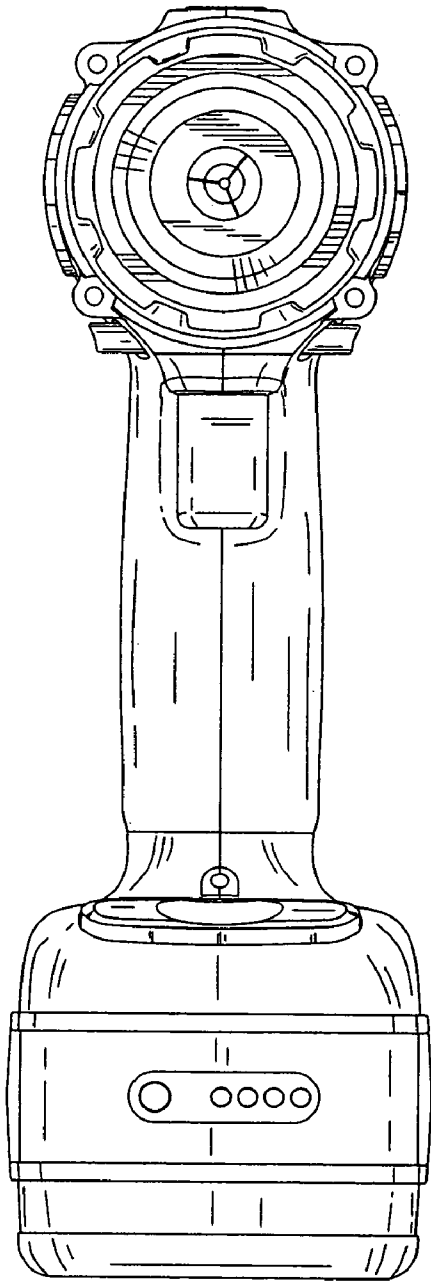


FIG 3

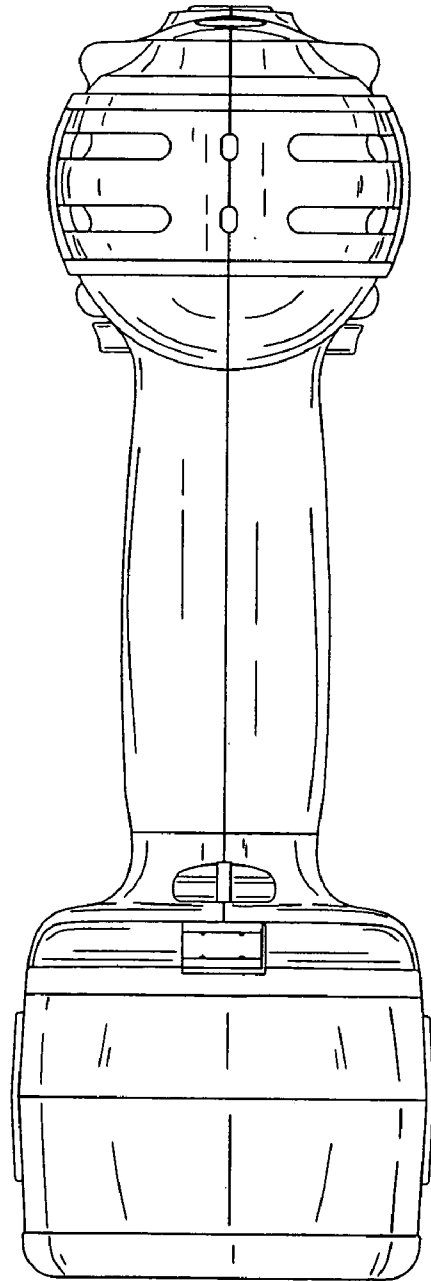


FIG 4

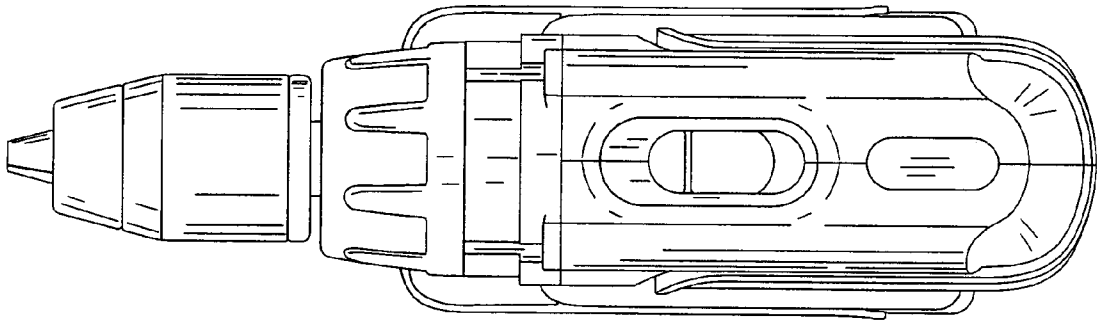


FIG 5

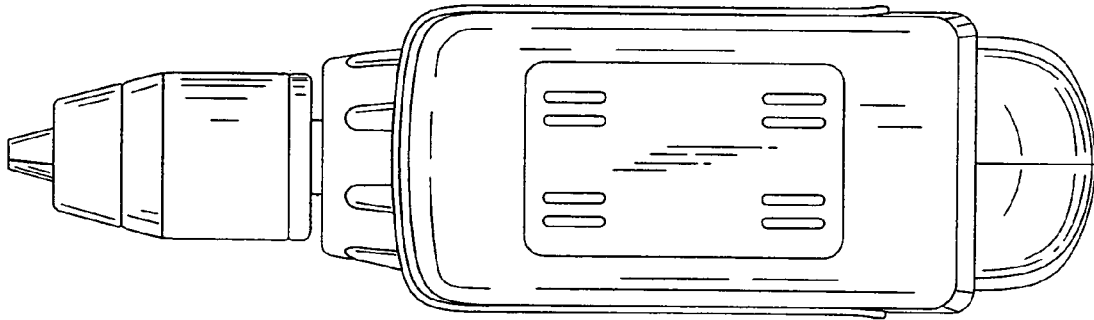


FIG 6

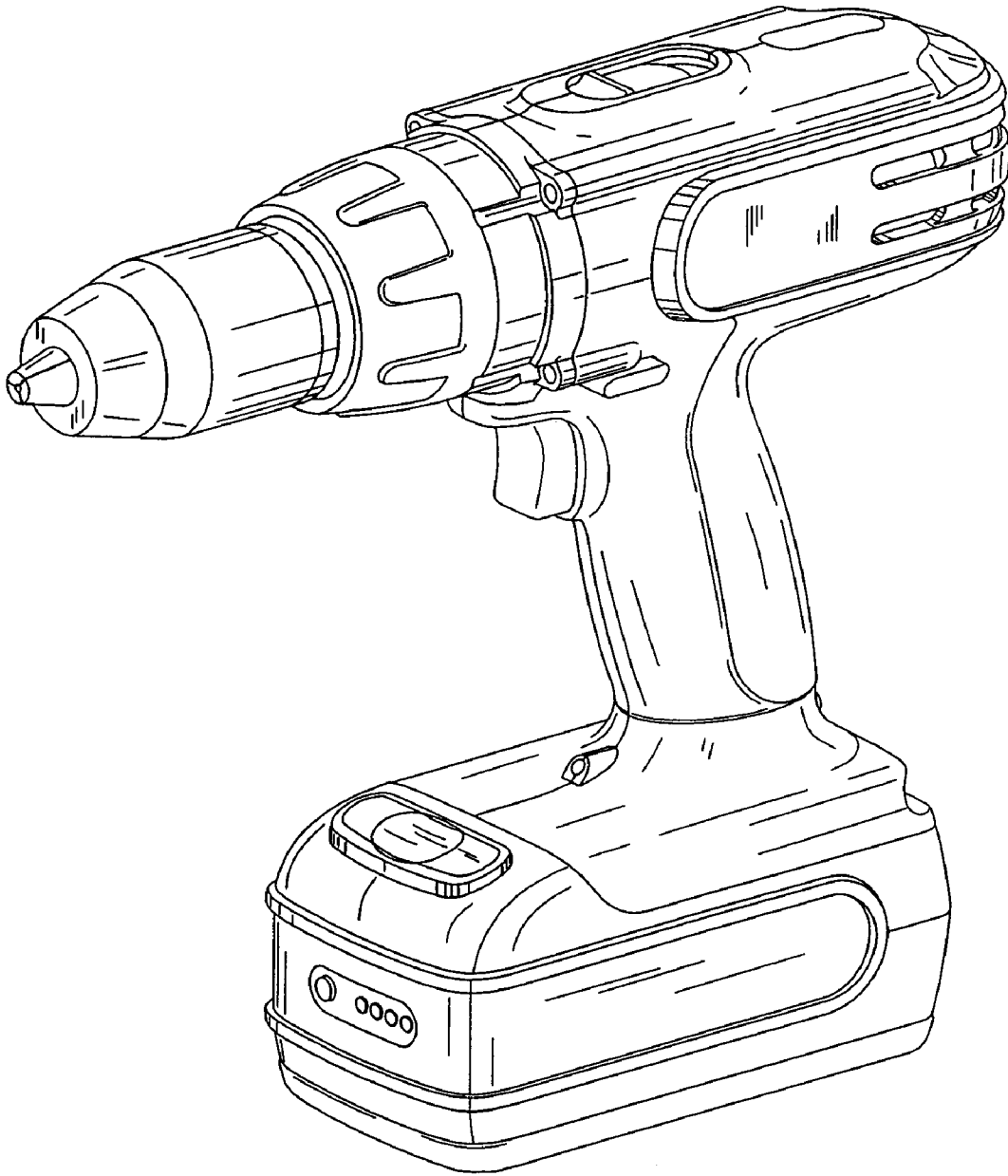


FIG 7