



US00D778190S

(12) **United States Design Patent** (10) **Patent No.:** **US D778,190 S**  
**VanDuyn et al.** (45) **Date of Patent:** **\*\* Feb. 7, 2017**

(54) **SECURITY ADAPTER**  
(71) Applicant: **EchoStar Technologies L.L.C.**,  
Englewood, CO (US)  
(72) Inventors: **Luke VanDuyn**, Conifer, CO (US);  
**Neil T. Marten**, Lakewood, CO (US)  
(73) Assignee: **ECHOSTAR TECHNOLOGIES**  
**L.L.C.**, Englewood, CO (US)  
(\*\*) Term: **15 Years**  
(21) Appl. No.: **29/550,325**  
(22) Filed: **Dec. 31, 2015**  
(51) **LOC (10) Cl.** ..... **14-02**  
(52) **U.S. Cl.**  
USPC ..... **D10/104.1**  
(58) **Field of Classification Search**  
USPC ..... D10/104.1; D14/125, 140-140.9, 155,  
D14/137, 139, 432-433, 348, 349,  
D14/356-358, 363, 474, 480.1, 203.1,  
D14/240, 242  
CPC ..... H04L 12/00; H03K 17/00; H04W 88/00;  
H04W 88/005; H04W 88/02; H04W  
88/08; H04W 88/085; H04W  
88/10; H04W 88/12; H04W  
88/14; H04W 88/18; H04B 1/38; H04B  
1/3827  
See application file for complete search history.

(56) **References Cited**  
U.S. PATENT DOCUMENTS  
D244,202 S \* 5/1977 Corrado ..... D14/476  
D357,235 S \* 4/1995 Takahashi ..... D14/357  
D383,139 S \* 9/1997 Hill ..... D14/242  
D433,382 S \* 11/2000 Lytel ..... D13/123  
D514,590 S \* 2/2006 Naruki ..... D14/203.3  
D535,281 S \* 1/2007 Yang ..... D14/203.3  
D541,272 S \* 4/2007 Wang ..... D14/356

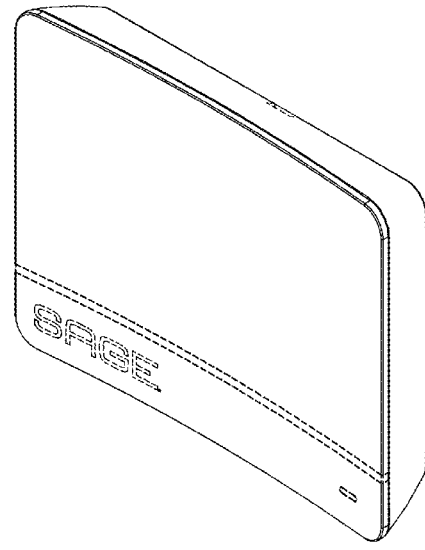
D574,360 S \* 8/2008 Matsuoka ..... D14/168  
D592,632 S \* 5/2009 Lee ..... D14/130  
D606,038 S \* 12/2009 Aarras ..... D14/138 G  
D638,003 S \* 5/2011 Chen ..... D14/203.7  
D641,025 S \* 7/2011 Ohno ..... D14/258  
D647,920 S \* 11/2011 Luo ..... D14/203.3  
D654,917 S \* 2/2012 Chaturvedi ..... D14/358  
D661,249 S \* 6/2012 Smith ..... D13/110  
D664,130 S \* 7/2012 Lee ..... D14/240  
D669,079 S \* 10/2012 Hansen ..... D14/420  
D684,957 S \* 6/2013 Smith ..... D14/242  
D702,218 S \* 4/2014 Wu ..... D14/242  
D705,170 S \* 5/2014 Diehl ..... D13/137.1  
D708,977 S \* 7/2014 Corso ..... D10/104.1  
D722,985 S \* 2/2015 Won ..... D14/125  
D724,036 S \* 3/2015 Cha ..... D13/162  
D737,709 S \* 9/2015 Hulan ..... D10/104.1  
D751,635 S \* 3/2016 Jung ..... D18/50  
D755,762 S \* 5/2016 Moon ..... D14/242  
D760,223 S \* 6/2016 Peng ..... D14/363

\* cited by examiner  
*Primary Examiner* — George D Kirschbaum  
*Assistant Examiner* — Joseph Kukella  
(74) *Attorney, Agent, or Firm* — Kilpatrick Townsend &  
Stockton LLP

(57) **CLAIM**  
We claim the ornamental design for a security adapter, as  
shown and described.

**DESCRIPTION**  
FIG. 1 is a top view of a security adapter;  
FIG. 2 is a front view thereof;  
FIG. 3 is a bottom view thereof;  
FIG. 4 is a left side view thereof;  
FIG. 5 is a right side view thereof;  
FIG. 6 is a back view thereof; and,  
FIG. 7 is a perspective view thereof.  
The broken lines depict unclaimed environmental subject  
matter.

**1 Claim, 7 Drawing Sheets**



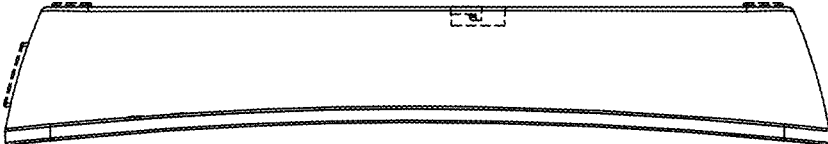


Fig. 1

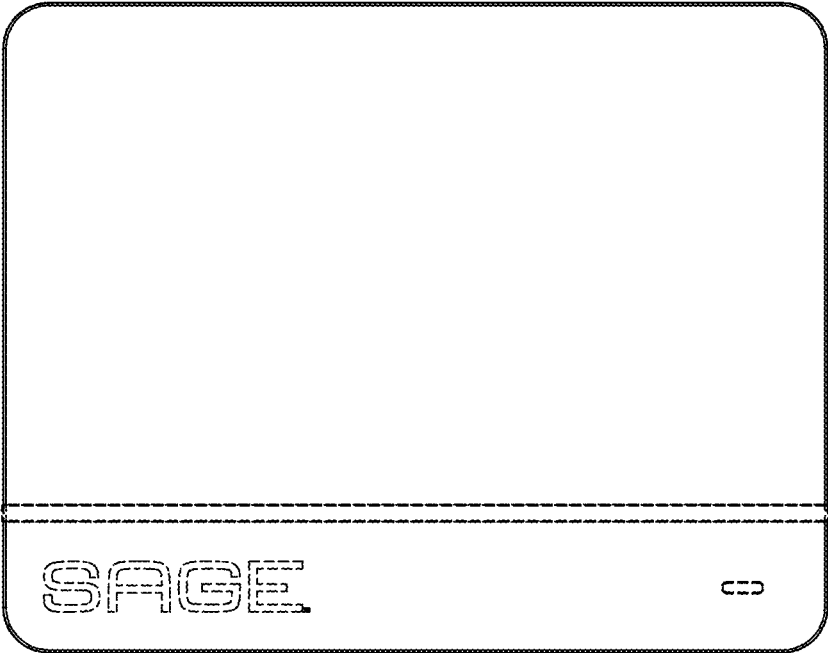


Fig. 2

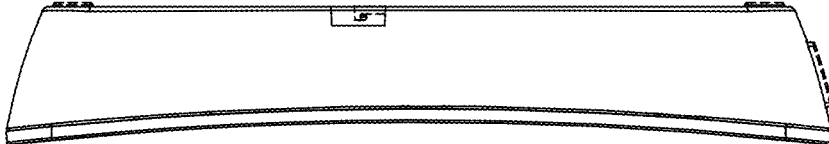


Fig. 3



Fig. 4

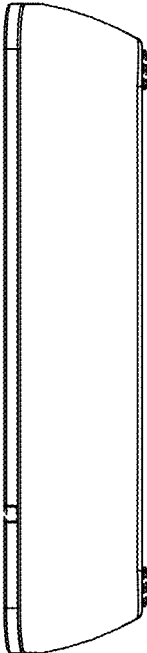


Fig. 5

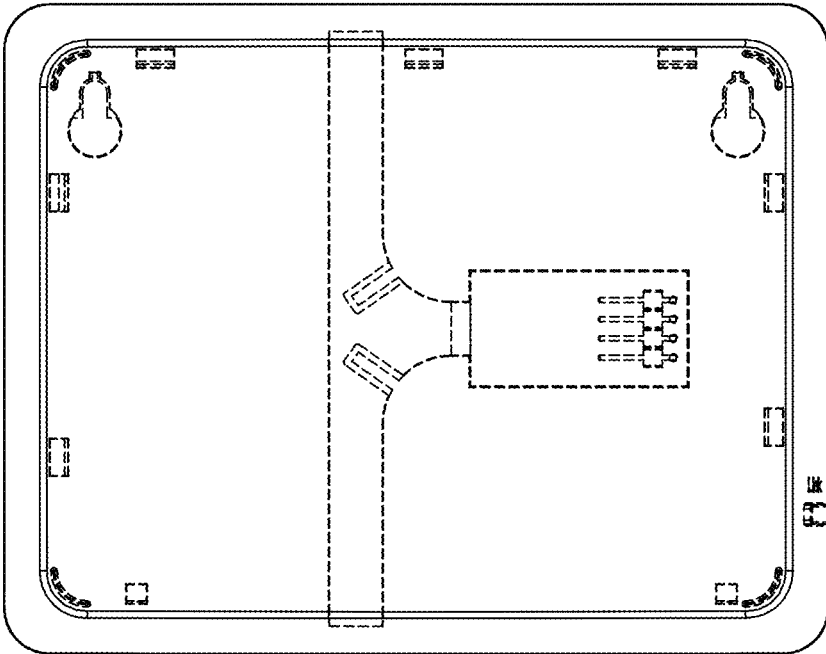


Fig. 6

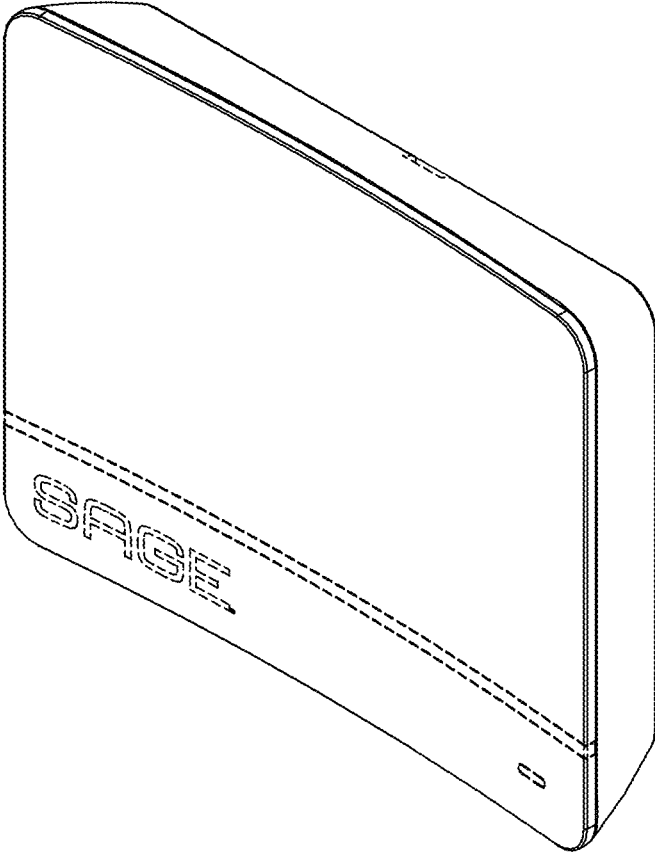


Fig. 7