

(19) World Intellectual Property Organization  
International Bureau



(43) International Publication Date  
11 January 2007 (11.01.2007)

PCT

(10) International Publication Number  
WO 2007/005259 A3

(51) International Patent Classification:  
H01J 61/00 (2006.01)

(21) International Application Number:  
PCT/US2006/023799

(22) International Filing Date: 19 June 2006 (19.06.2006)

(25) Filing Language: English

(26) Publication Language: English

(30) Priority Data:  
11/172,650 30 June 2005 (30.06.2005) US

(71) Applicant (for all designated States except US): GENERAL ELECTRIC COMPANY [US/US]; (A New York Corporation), 1 River Road, Schenectady, NY 12345 (US).

(72) Inventors; and

(75) Inventors/Applicants (for US only): BEWLAY, Bernard, Patrick [GB/US]; 2305 Balltown Road, Schenectady, NY 12309 (US). KNUDSEN, Bruce, Alan [US/US]; 238 Belfance Road, Amsterdam, NY 12010 (US). RAHMANE, Mohamed [CA/US]; 4, Park 200, Apartment 5n, Clifton Park, NY 12065 (US). BREWER, James, Anthony [US/US]; 7 Hillside Court, Scotia, NY 12302 (US). VARTULI, James, Scott [US/US]; 17 Partridge Glen, Rexford, NY 12148 (US). CSANYI, Istvan [HU/HU]; H-2120 Dunakeszi, Taller u 2. (HU). GABELL, Jozsef [HU/HU]; H-2133 Szodliget, Hatar Ut 21/C. (HU). BOROCZKI, Agoston [HU/HU]; H-1157 Budapest, Korakas Park 41.3/8. (HU). BARANYI, Robert [HU/HU]; H-2040 Budaors, Patko Utca 7.6/58. (HU).

(74) Agents: GNIBUS, Michael et al.; General Electric Company, Global Patent Operation, 187 Danbury Road, Suite 204, Wilton, CT 06897 (US).

(81) Designated States (unless otherwise indicated, for every kind of national protection available): AE, AG, AL, AM, AT, AU, AZ, BA, BB, BG, BR, BW, BY, BZ, CA, CH, CN, CO, CR, CU, CZ, DE, DK, DM, DZ, EC, EE, EG, ES, FI, GB, GD, GE, GH, GM, HR, HU, ID, IL, IN, IS, JP, KE, KG, KM, KN, KP, KR, KZ, LA, LC, LK, LR, LS, LT, LU, LV, LY, MA, MD, MG, MK, MN, MW, MX, MZ, NA, NG, NI, NO, NZ, OM, PG, PH, PL, PT, RO, RS, RU, SC, SD, SE, SG, SK, SL, SM, SY, TJ, TM, TN, TR, TT, TZ, UA, UG, US, UZ, VC, VN, ZA, ZM, ZW.

(84) Designated States (unless otherwise indicated, for every kind of regional protection available): ARIPO (BW, GH, GM, KE, LS, MW, MZ, NA, SD, SL, SZ, TZ, UG, ZM, ZW), Eurasian (AM, AZ, BY, KG, KZ, MD, RU, TJ, TM), European (AT, BE, BG, CH, CY, CZ, DE, DK, EE, ES, FI, FR, GB, GR, HU, IE, IS, IT, LT, LU, LV, MC, NL, PL, PT, RO, SE, SI, SK, TR), OAPI (BF, BJ, CF, CG, CI, CM, GA, GN, GQ, GW, ML, MR, NE, SN, TD, TG).

Declarations under Rule 4.17:

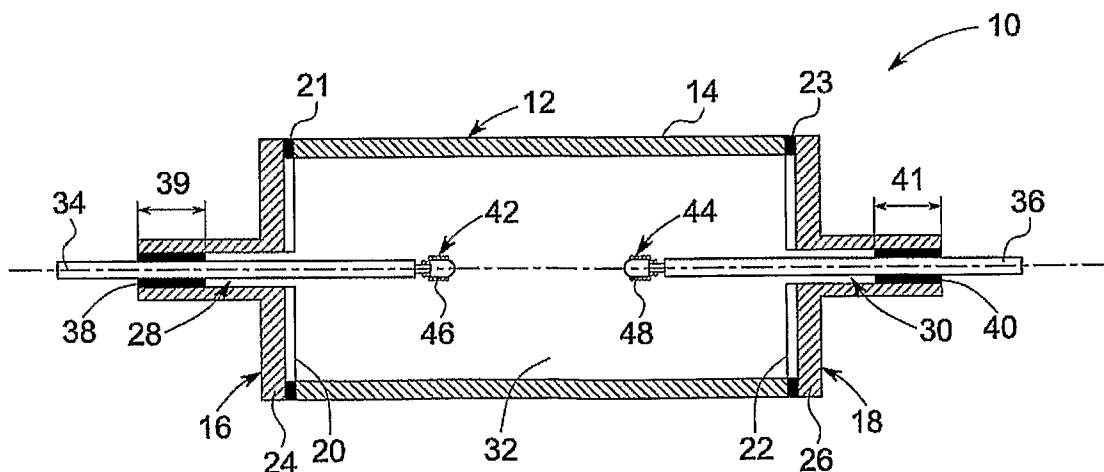
- as to applicant's entitlement to apply for and be granted a patent (Rule 4.17(ii))
- as to the applicant's entitlement to claim the priority of the earlier application (Rule 4.17(iii))

Published:

- with international search report

[Continued on next page]

(54) Title: CERAMIC LAMPS AND METHODS OF MAKING SAME



(57) Abstract: A lamp having a ceramic arc envelope, an end structure coupled to the ceramic arc envelope and extending across an opening in the ceramic arc envelope, where the end structure comprises a passageway communicative with an interior chamber of the ceramic arc envelope is provided. The lamp further includes a molybdenum-rhenium electrode lead extending through and sealed with the passageway. The molybdenum-rhenium electrode lead includes a molybdenum-rhenium alloy. Furthermore, the lamp includes an arc electrode tip coupled to the electrode lead inside the interior chamber.

WO 2007/005259 A3



— *before the expiration of the time limit for amending the claims and to be republished in the event of receipt of amendments*

*For two-letter codes and other abbreviations, refer to the "Guidance Notes on Codes and Abbreviations" appearing at the beginning of each regular issue of the PCT Gazette.*

**(88) Date of publication of the international search report:**  
20 September 2007

# INTERNATIONAL SEARCH REPORT

International application No <b>PCT/US2006/023799</b>
--

<b>A. CLASSIFICATION OF SUBJECT MATTER</b> INV. H01J61/00
According to International Patent Classification (IPC) or to both national classification and IPC
<b>B. FIELDS SEARCHED</b> Minimum documentation searched (classification system followed by classification symbols) H01J C22C
Documentation searched other than minimum documentation to the extent that such documents are included in the fields searched
Electronic data base consulted during the international search (name of data base and, where practical, search terms used) EPO-Internal, WPI Data

C. DOCUMENTS CONSIDERED TO BE RELEVANT		
Category*	Citation of document, with indication, where appropriate, of the relevant passages	Relevant to claim No.
X	US 5 592 049 A (HEIDER JUERGEN [DE] ET AL) 7 January 1997 (1997-01-07) column 2, lines 10-16 column 3, lines 2-22 column 8, lines 6-8 column 8, line 29 - line 62 claims 1,5,6 figure 1	1-27
A	----- GB 816 135 A (ASS ELECT IND) 8 July 1959 (1959-07-08) page 1, line 64 - line 81 page 2, line 25 - line 43 claim 2	1-27
A	----- EP 0 807 957 A2 (NGK INSULATORS LTD [JP]) 19 November 1997 (1997-11-19) column 5 ----- -/--	1-27

<input checked="" type="checkbox"/> Further documents are listed in the continuation of Box C.	<input checked="" type="checkbox"/> See patent family annex.
--	--

- |  |   |
|--|---|
| * Special categories of cited documents :<br><br>*A* document defining the general state of the art which is not considered to be of particular relevance<br>*E* earlier document but published on or after the international filing date<br>*L* document which may throw doubts on priority claim(s) or which is cited to establish the publication date of another citation or other special reason (as specified)<br>*O* document referring to an oral disclosure, use, exhibition or other means<br>*P* document published prior to the international filing date but later than the priority date claimed | *T* later document published after the international filing date or priority date and not in conflict with the application but cited to understand the principle or theory underlying the invention<br>*X* document of particular relevance; the claimed invention cannot be considered novel or cannot be considered to involve an inventive step when the document is taken alone<br>*Y* document of particular relevance; the claimed invention cannot be considered to involve an inventive step when the document is combined with one or more other such documents, such combination being obvious to a person skilled in the art.<br>*&* document member of the same patent family |
|--|---|

Date of the actual completion of the international search  <b>27 June 2007</b>	Date of mailing of the international search report  <b>31/07/2007</b>
--	---

Name and mailing address of the ISA European Patent Office, P.B. 5818 Patentlaan 2 NL - 2280 HV Rijswijk Tel. (+31-70) 340-2040, Tx. 31 651 epo nl, Fax: (+31-70) 340-3016	Authorized officer  <b>But, Gabriela-Ileana</b>
--	---

## INTERNATIONAL SEARCH REPORT

International application No  
PCT/US2006/023799

C(Continuation). DOCUMENTS CONSIDERED TO BE RELEVANT		
Category*	Citation of document, with indication, where appropriate, of the relevant passages	Relevant to claim No.
A	US 6 224 449 B1 (NIIMI NORIKAZU [JP] ET AL) 1 May 2001 (2001-05-01) column 4	1-27
A	DE 11 82 842 B (BASF AG) 3 December 1964 (1964-12-03) the whole document	1-27

# INTERNATIONAL SEARCH REPORT

Information on patent family members

International application No <b>PCT/US2006/023799</b>
--

Patent document cited in search report	Publication date	Patent family member(s)	Publication date
US 5592049	A	07-01-1997	NONE
GB 816135	A	08-07-1959	NONE
EP 0807957	A2	19-11-1997	CN 1275791 A 06-12-2000
			CN 1166045 A 26-11-1997
			CZ 9700957 A3 14-01-1998
			DE 69713453 D1 25-07-2002
			DE 69713453 T2 23-01-2003
			JP 3151166 B2 03-04-2001
			JP 10031978 A 03-02-1998
			US 6057644 A 02-05-2000
US 6224449	B1	01-05-2001	NONE
DE 1182842	B	03-12-1964	AT 262628 B 25-06-1968