

(19) World Intellectual Property Organization  
International Bureau



(43) International Publication Date  
18 May 2006 (18.05.2006)

PCT

(10) International Publication Number  
WO 2006/053199 A3

- (51) International Patent Classification:  
A61B 1/00 (2006.01) A61B 1/04 (2006.01)
- (21) International Application Number:  
PCT/US2005/040894
- (22) International Filing Date:  
9 November 2005 (09.11.2005)
- (25) Filing Language: English
- (26) Publication Language: English
- (30) Priority Data:  
10/984,165 9 November 2004 (09.11.2004) US
- (71) Applicant (for all designated States except US): CLARUS MEDICAL, LLC [US/US]; 1000 Boone Avenue North, Minneapolis, MN 55427 (US).
- (72) Inventors; and
- (75) Inventors/Applicants (for US only): SUNDET, Scott, A. [US/US]; 7113 Lanham Lane, Edina, MN 55439 (US). BROWN, Mark, F. [US/US]; 9900 45th Avenue North, #104, Plymouth, MN 55442 (US). RIEDL, Craig, L. [US/US]; 269 Inglewood Street, Long Lake, MN 55356 (US). LOMBARDI, Steven, E. [US/US]; 1635 Daisy Court, New Brighton, MN 55112 (US). BARTHEL, Thomas, C. [US/US]; 18251 62nd Street, Becker, MN 55308 (US).

- (74) Agents: KUO, Joseph, M. et al.; Olson & Hierl, Ltd., 20 North Wacker Drive, 36th Floor, Chicago, IL 60606 (US).
- (81) Designated States (unless otherwise indicated, for every kind of national protection available): AE, AG, AL, AM, AT, AU, AZ, BA, BB, BG, BR, BW, BY, BZ, CA, CH, CN, CO, CR, CU, CZ, DE, DK, DM, DZ, EC, EE, EG, ES, FI, GB, GD, GE, GH, GM, HR, HU, ID, IL, IN, IS, JP, KE, KG, KM, KN, KP, KR, KZ, LC, LK, LR, LS, LT, LU, LV, LY, MA, MD, MG, MK, MN, MW, MX, MZ, NA, NG, NI, NO, NZ, OM, PG, PH, PL, PT, RO, RU, SC, SD, SE, SG, SK, SL, SM, SY, TJ, TM, TN, TR, TT, TZ, UA, UG, US, UZ, VC, VN, YU, ZA, ZM, ZW.
- (84) Designated States (unless otherwise indicated, for every kind of regional protection available): ARIPO (BW, GH, GM, KE, LS, MW, MZ, NA, SD, SL, SZ, TZ, UG, ZM, ZW), Eurasian (AM, AZ, BY, KG, KZ, MD, RU, TJ, TM), European (AT, BE, BG, CH, CY, CZ, DE, DK, EE, ES, FI, FR, GB, GR, HU, IE, IS, IT, LT, LU, LV, MC, NL, PL, PT, RO, SE, SI, SK, TR), OAPI (BF, BJ, CF, CG, CI, CM, GA, GN, GQ, GW, ML, MR, NE, SN, TD, TG).

Published:

— with international search report

(88) Date of publication of the international search report:  
23 April 2009

[Continued on next page]

(54) Title: INTEGRATED VIEWING ASSEMBLY FOR AN ENDOSCOPE

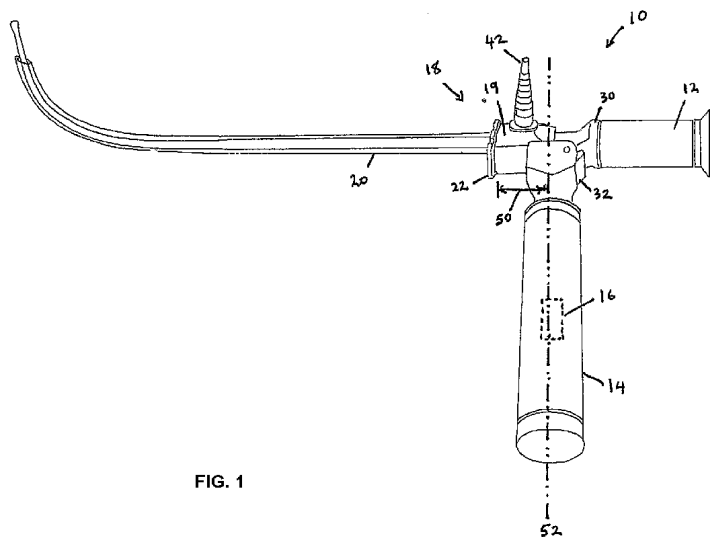


FIG. 1

(57) Abstract: An integrated viewing assembly for an endoscope having an eyepiece (12) and a handle (14) incorporating a light source (16). The viewing assembly includes a hub (19) having distal and proximal ends, a middle portion and an outer surface defining a port (41). The distal end defines a receiver (40) in fluid communication with the port (41) and adapted for connection to an endotracheal tube (20). The port (41) is adapted for connection to a gas source. A stylus (34) is constructed and arranged to be fixedly connected to the hub (19) within the receiver. Viewing and lighting conduits are carried by the hub (19) and stylus (34). A coupler is located on the proximal end of the hub (19) about the viewing conduit and is adapted for connection to the eyepiece (12). A connector on the middle portion of the hub (19) connects to the handle (14). The receiver (40) is located a predetermined distance from the longitudinal axis of the handle (14) to facilitate tactile contact with a flange (22) on the endotracheal tube (20) connected to the receiver (40) by the practitioner holding the handle (14). Preferably, the coupler, connector and hub (19) are formed in one piece.



WO 2006/053199 A3



---

**(15) Information about Correction:**

**Previous Correction:**

see Notice of 27 July 2006

# INTERNATIONAL SEARCH REPORT

International application No.

PCT/US05/40894

**A. CLASSIFICATION OF SUBJECT MATTER**  
 IPC: **A61B 1/00( 2006.01),1/04( 2006.01)**

USPC: 600/120  
 According to International Patent Classification (IPC) or to both national classification and IPC

**B. FIELDS SEARCHED**

Minimum documentation searched (classification system followed by classification symbols)  
 U.S. : 600/114,120,121,125,185,186,187,188

Documentation searched other than minimum documentation to the extent that such documents are included in the fields searched

Electronic data base consulted during the international search (name of data base and, where practicable, search terms used)

**C. DOCUMENTS CONSIDERED TO BE RELEVANT**

Category *	Citation of document, with indication, where appropriate, of the relevant passages	Relevant to claim No.
Y	US 2002/0137984 A1 (CHIBBER et al) 26 September 2002 (26.09.2002), paragraphs [0047]-[0053]	1-19
Y	US 3,913,568 A (CARPENTER) 21 October 1975 (21.10.1975), column 2, lines 30-52.	1-19
Y	US 5,529,570 A (STORZ) 25 June 1996 (25.06.1996), column 3, lines 13-24.	9,17

Further documents are listed in the continuation of Box C.       See patent family annex.

\* Special categories of cited documents:

"A" document defining the general state of the art which is not considered to be of particular relevance	"T" later document published after the international filing date or priority date and not in conflict with the application but cited to understand the principle or theory underlying the invention
"E" earlier application or patent published on or after the international filing date	"X" document of particular relevance; the claimed invention cannot be considered novel or cannot be considered to involve an inventive step when the document is taken alone
"L" document which may throw doubts on priority claim(s) or which is cited to establish the publication date of another citation or other special reason (as specified)	"Y" document of particular relevance; the claimed invention cannot be considered to involve an inventive step when the document is combined with one or more other such documents, such combination being obvious to a person skilled in the art
"O" document referring to an oral disclosure, use, exhibition or other means	"&" document member of the same patent family
"P" document published prior to the international filing date but later than the priority date claimed	

Date of the actual completion of the international search 21 March 2008 (21.03.2008)	Date of mailing of the international search report <b>06 JUN 2008</b>
Name and mailing address of the ISA/US Mail Stop PCT, Attn: ISA/US Commissioner for Patents P.O. Box 1450 Alexandria, Virginia 22313-1450 Facsimile No. (571) 273-3201	Authorized officer Linda Dvorak <i>[Signature]</i> Telephone No. (571)272-4764 <i>[Signature]</i>