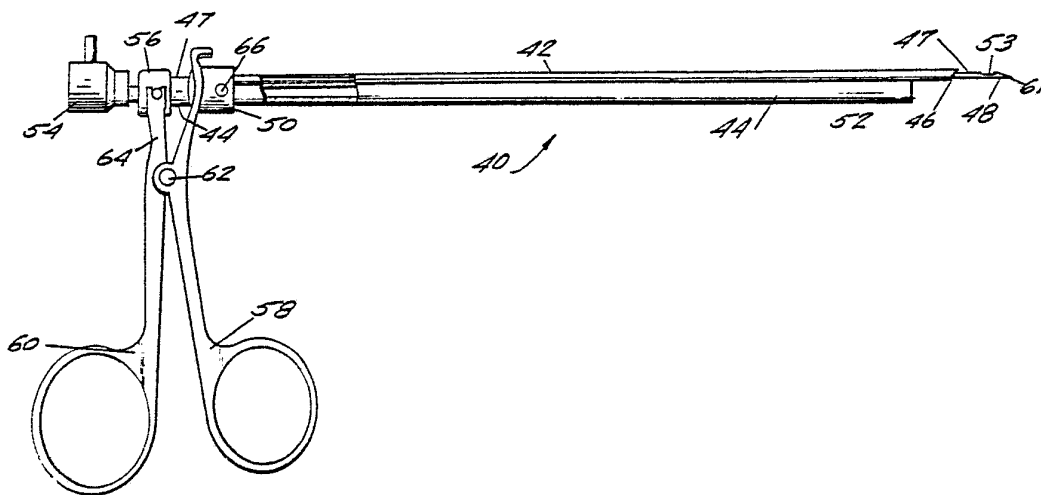




INTERNATIONAL APPLICATION PUBLISHED UNDER THE PATENT COOPERATION TREATY (PCT)

<p>(51) International Patent Classification³ : A61B 17/00</p>	<p>A1</p>	<p>(11) International Publication Number: WO 82/ 01988 (43) International Publication Date: 24 June 1982 (24.06.82)</p>
<p>(21) International Application Number: PCT/US81/01662 (22) International Filing Date: 15 December 1981 (15.12.81) (31) Priority Application Number: 216,374 (32) Priority Date: 15 December 1980 (15.12.80) (33) Priority Country: US (71)(72) Applicant and Inventor: BAUMGARTNER, George, Charles [US/US]; 6505 Nashville Street, Chicago, IL 60631 (US). (74) Agents: SCOTT, Watson, T. et al.; Cushman, Darby & Cushman, 1801 K Street N.W., Washington, DC 20006 (US).</p>		<p>(81) Designated States: DE, JP. Published <i>With international search report. Before the expiration of the time limit for amending the claims and to be republished in the event of the receipt of amendments.</i></p>

(54) Title: SURGICAL INSTRUMENT AND PROCESS



(57) Abstract

An apparatus and method for enabling the extraction of a biopsy sample from the prostate through the urinary tract and for performing medical treatment in the prostate area. The apparatus includes an outer sheath (2) and removable obturator (20) portion which is located within the sheath during insertion of the sheath into the urinary tract. Once the sheath has been inserted, a sampling portion is substituted for the obturator to enable the extraction of a biopsy sample. The configuration of the sampling portion which cooperates with the sheath during extraction of the biopsy sample includes adjacent tubes (42 and 44) retained within the sheath (12) and a harpoon-shaped needle (48) movable through one of the tubes. The harpoon needle (48) cooperates with the one tube (42) to provide cutting and retention of the biopsy sample by movement of a shaft external (47) to the sheath portion. The other tube (44) enables the insertion of a light conducting pipe and lens structure to view the area from which the sample is taken. In use, the apparatus is a modified cystoscope which is employed to obtain a prostate biopsy by insertion of the sheath and first obturator through the external urethral orifice of the penis and through the urethra until the end is adjacent the prostate. The sampling portion is then inserted and the biopsy taken by piercing of the prostate and removal of the sampling portion. The same sampling portion can alternatively be used to provide treatment to the prostate area through the sheath.

FOR THE PURPOSES OF INFORMATION ONLY

Codes used to identify States party to the PCT on the front pages of pamphlets publishing international applications under the PCT.

AT	Austria	KP	Democratic People's Republic of Korea
AU	Australia	LI	Liechtenstein
BR	Brazil	LU	Luxembourg
CF	Central African Republic	MC	Monaco
CG	Congo	MG	Madagascar
CH	Switzerland	MW	Malawi
CM	Cameroon	NL	Netherlands
DE	Germany, Federal Republic of	NO	Norway
DK	Denmark	RO	Romania
FI	Finland	SE	Sweden
FR	France	SN	Senegal
GA	Gabon	SU	Soviet Union
GB	United Kingdom	TD	Chad
HU	Hungary	TG	Togo
JP	Japan	US	United States of America

SURGICAL INSTRUMENT AND PROCESSBACKGROUND OF THE INVENTION

The present invention relates to surgical instruments and techniques and, more particularly, to an apparatus and method for obtaining a biopsy sample of the prostate through the urinary tract.

In the prior art, there are a variety of apparatus and techniques used to obtain biopsy samples from different tissues for testing.

Generally, the devices are designed for specific applications and include special configurations and arrangements for those applications. Due to the location of certain tissues, for example, the prostate, not all devices are capable of use in obtaining the biopsy sample.

In the past, biopsy samples taken from the prostate have been used to aid in the diagnosis and treatment of prostate malignancies. The devices which have been developed generally include a sheath which is inserted into the rectum of a patient and a needle which is then advanced with the sheath to pierce the rectal wall and obtain a sample of the prostate. This particular apparatus enables the sample to be withdrawn and analyzed for a determination of the presence of any malignancy in the tissue.

Other types of biopsy apparatus are known, but their configuration generally prevents their use in the manner described. In addition, the technique of removing the biopsy sample through the rectum produces infection and bleeding in the patient and is not conducive to early cancer diagnosis.



In addition to the above-noted sample problems, the instruments and techniques of the prior art have been deficient in enabling medical treatment of prostate problems once they have been
5 detected. The most common technique for prostate treatment involves surgically cutting an opening into the prostate area into which medication or other treatment can be introduced. In addition to being more complex and costly, such procedures
10 expose the patient to increased chances of infection and a longer healing period.

There is therefore a need for alternative apparatus and techniques for obtaining biopsy
15 samples of the prostate to diagnose malignancies and other illnesses and to provide for less complicated treatment once a problem has been detected. Thus the present invention has been developed to overcome the specific shortcomings of the above known and similar techniques and, more particularly, to
20 provide an improved technique for obtaining prostate biopsy samples and providing prostate treatment.

SUMMARY OF THE INVENTION

In accordance with the present invention, an elongated hollow sheath is provided having an
25 opening for retaining an obturator element at one end and a coupling element at the opposite end. The device includes a removable obturator portion which is axially inserted into the sheath and retained by the coupling element so that the obturator portion
30 in cooperation with the sheath forms a substantially solid shaft for insertion into the urethra. A second removable sampling portion includes two elongated tubes mounted adjacent and running



parallel to one another and coupled to a mounting
element at one end thereof. One of the tubes
includes a shaft which extends axially therethrough
and terminates in a pointed harpoon-type cutting
5 element extending from one end thereof. The harpoon
shaft extends through the tube and mounting element
and is coupled to a movable member controlled by a
scissors lever arrangement extending from the
mounting element. By moving the scissors arms, the
10 harpoon shaft slides axially in the associated tube
to cause a cutting action at one end thereof.

In operation, the sheath and obturator
combination is first inserted into the urethra to
the desired position. The obturator portion is then
15 removed and the biopsy sampling portion inserted
through the sheath to the sampling area. A lens and
light pipe structure can then be inserted through
the second tube adjacent to the harpoon shaft to
view the sampling area. The sampling portion is
20 then subsequently manipulated to the desired
sampling area and the scissors control is used to
pierce and sever the desired sample. Added manual
control can be achieved by finger manipulation
within the rectum of the patient. Thereupon, the
25 sampling portion is removed from the sheath to
obtain the biopsy sample. The sheath can be removed
from the urethra following removal of the sampling
portion.

The sampling portion is also constructed so
30 that medication can be introduced into the prostate
area when treatment is necessary. In that instance,
rather than taking a biopsy sample, the harpoon
shaft and tube in the sampling structure cooperate
to retain medication which can be deposited in the



prostate by manipulation of the harpoon shaft once the tip has penetrated the prostate.

It is therefore a feature of the present invention to provide an improved apparatus for
5 taking biopsy samples.

Another feature of the invention is to provide a technique for obtaining prostate samples which is less dangerous and provides earlier diagnosis of malignancy with less discomfort and
10 inconvenience.

It is a further feature of the invention to provide a modified cystoscope for taking biopsies of the prostate.

It is another feature of the invention to
15 provide a technique for taking prostate biopsies through the urethra.

It is still another feature of the invention to provide a technique for treating the prostate with access through the urethra.

20 Still another feature of the invention is to provide a modified cystoscope for extracting biopsy samples from the urethra with a concentric-tube structure capable of being operated by one hand of a surgeon.

25 Yet another feature of the invention is to provide a modified cystoscope which allows viewing of the biopsy sampling area and manual tactile control of the prostate by the surgeon during urethral insertion for prostate sampling.

30 It is yet another feature of the invention to provide a modified cystoscope for depositing medication into the prostate area through the urethra.

It is still a further feature of the
35 invention to provide a surgical instrument capable



of both extracting biopsy samples and providing prostate treatment through the urethra.

These and other novel features of the invention will become apparent from the following
5 detailed description when taken with the accompanying drawings wherein:

BRIEF DESCRIPTION OF THE DRAWINGS

Fig. 1 is a side view of the modified cystoscope in accordance with the present invention
10 having the inserted obturator portion.

Fig. 2 is a perspective view of the sheath portion of the modified cystoscope with the obturator portion removed.

Fig. 3 is a perspective view of the
15 obturator portion used in connection with the sheath of Fig. 2.

Fig. 4 is a side view showing the sampling portion of the modified cystoscope in accordance with the present invention.

20 Fig. 5 is a cross-sectional side view of the sampling portion of Fig. 4.

DETAILED DESCRIPTION OF A PREFERRED EMBODIMENT

Turning now to Fig. 1, a modified
25 cystoscope 10 is shown having an obturator portion 20 coupled therein. The cystoscope 10 generally includes a sheath 12 which may be of any desirable configuration but suitably shaped for easy insertion into the urethra. The sheath 12 has an opening 14
30 at one end thereof configured to retain the tip 26 of an obturator portion 20. The other end of the sheath 12 is rigidly retained in a mounting member



16 and extends through the mounting member and locking member 18. The mounting member 16 retains a locking member 18 for conventional construction so that the locking member 18 rotates relative to member 16 to align slots for receiving the obturator portion 20. When the obturator portion 20 is inserted into the sheath, projecting pins 30 engage those slots and locking member 18 can be rotated to securely retain the obturator in position in a well-known manner. Inlets 17, located on opposite sides of mounting member 16, also extend through and into the channel extending through the sheath 12 to provide passages to the interior of sheath 12. Valve arms 19 are used to control a valve 21 on each inlet 17 to allow control of a gas or liquid through the passage 17 in a well-known manner.

The obturator portion 20 shown in Fig. 3 generally has a shaft 22 terminating in a solid portion 24. The portion 24 has a tip 26 configured to provide a smooth terminus to the tip surrounding opening 14 of sheath 12. At the opposite end of the shaft 22 is a retaining block member 28 which is configured to be received by the retaining and locking members 16 and 18 of the cystoscope 10 in Fig. 1. Member 28 includes projecting pins 30 extending from opposite sides of the member 28. The pins 30 engage corresponding slots (not shown) in members 16 and 18 and are retained in a locked position when the rotating member 18 is moved to an appropriate position in accordance with the prior art. A gripping member 29 is usually attached to the member 28 to allow easy insertion and removal of the obturator 20 into the sheath 12.

Referring now to Fig. 4, the sampling portion of the modified cystoscope is generally



shown at 40. The sampling portion includes adjacent parallel tubes 42 and 44 which are attached to one another and have a length which allows the tubes to extend through the sheath 12 and project from the opening 14. The tube 42 terminates in a forward end 46 which is tapered to form a blade-type surface. A shaft 47 extends through the tube 42 and terminates in a harpoon-blade structure generally shown at 48. The harpoon-blade structure may be obtained in any manner relative to the taper on the tube 42 so long as the harpoon edge 48 causes a severing action when drawn back into the tube 42 past the edge 46. The harpoon end 48 also includes a tip 61 which is used to puncture the tissue which is to be sampled and a pocket 53 formed behind the harpoon-type barb.

Adjacent the edge 46, a series of small openings 49 are axially aligned and spaced along the surface of tube 42 parallel to the shaft 47 running through the tube 42. Cooperating pockets 51 are located along the length of the shaft 47 so that by manipulation of the shaft axially along the tube 42, the openings 49 will align with the pockets 51 so that access to each of the pockets 51 is provided through the corresponding openings 49. The pockets 51 are shaped to receive medication (i.e. radio-active iodine seeds) through the openings 49, which medication can be retained in the pockets 51 by moving the shaft 47 axially along tube 49 to cause misalignment of the pockets 51 and openings 44 once the medication has been inserted. Release of the medication can be accomplished by realigning the pockets 51 and openings 49 by manipulation of the shaft 47.

The tube 44 terminates in an opening 52 which is adjacent the edge 46 of the tube 42. Tubes



42 and 44 are retained by a support member 50. The tube 42 terminates within the support member 50 while the tube 44 extends through and into an end element 54. The support member 50 includes
5 projecting pins 66 similar to the projecting pins 30 on obturator portion 20. The pins 66 are retained by locking ring 18 when the sampling portion is inserted into the sheath 12. The shaft 47 extends through the tube 42 and support member 50 and is
10 rigidly attached to element 56 located between members 50 and 54. The shaft 47 is slidably retained in the tube and support member 50 and removably secured within member 56 by a fastener (i.e. set screw) 57.

15 At the rear end of member 50, a scissors arm 58, having a pivotal coupling 62, is coupled generally perpendicular thereto. A second scissors arm 60 is pivotally coupled to 62 and includes a portion 64 rigidly attached to the member 56. As
20 can be seen in Fig. 4 when the scissors arms 58 and 60 are moved relative to each other, the member 56 is caused to slidably move along tube 44 causing shaft 47 and thus harpoon tip 48 to reciprocate in tube 42. The positioning of the harpoon tip 48
25 relative to the end 46 is such that upon movement of member 56, the harpoon structure moves forward of end 46 and can be withdrawn into the opening formed by member 46. The tube 44 extends through the element 54 and provides an opening in the rear
30 thereof for insertion of a light tube and viewing lens.

The elements of cystoscope 10, obturator 20 and sampling portion 40 are generally formed from metals usually employed in surgical instruments. It
35 is anticipated, however, that any materials suitable



for the uses intended may be used without detracting from the teachings of the present invention.

Likewise, the locking mechanism 18, while well-known in the art, may be modified to accommodate various
5 structures consistent with the present invention.

In accordance with the present invention, the modified cystoscope shown in Figs. 1 through 5 may be used to obtain a biopsy sample of the prostate through the urethra. In the prior art, the
10 normal procedure for obtaining the prostate sample was to provide rectal or skin insertion of a sampling device to puncture the prostate through the rectal wall or perineal skin. As has been
15 previously noted, the process and the apparatus used to accomplish the sampling has generally been uncomfortable and relatively dangerous and therefore objectionable for patient treatment. By use of the present invention, the prostate sampling can be made through the urethra, thereby eliminating the disadvantages of the prior art techniques and apparatus.
20

In operation, the obturator 20 is first inserted into the sheath 12 so that the tip portion 26 extends through the opening 14 in sheath 12. The tip portion 26 is generally formed to have rounded
25 smooth edges cooperating with rounded smooth edges on the sheath at opening 14. When positioned and locked by member 18, the obturator portion 20 and sheath portion 12 form a generally rigid unitary rod for insertion into the urethra through the external
30 urethral orifice in the penis of the patient. Accordingly, the sheath and obturator portion are moved together through the urethra until the desired position of the opening 14 is located. At that time, the locking ring 18 is rotated and the
35 obturator portion 20 removed to provide a canal



through sheath 12 from the exterior of the urethra to the opening 14 adjacent the prostate.

At this time, the sampling portion 40 is inserted through the sheath 12 until the tubes 42 and 44 have their openings positioned at the desired area. Prior to sampling the tube 44 can accommodate a lens and light pipe structure which may be inserted to extend through opening 52 for viewing the area to be sampled. Any lens or viewing structure is inserted through the rear end of tube 44 retained in end member 54 exterior to the sheath 12. Using the viewing or lens structure extending through opening 52, the positioning of the end 46 of tube 42 can be located relative to the area to be sampled with the surgeon's finger in the rectum on the patient's prostate. Once this has been done, with the surgeon's other hand, the member 50 can be locked in retaining ring 18 relative to the sheath 12 or it can be independently positioned without the locking arrangement. At that time, the scissors arms 58 and 60 can be manipulated to cause the point 61 of harpoon tip 48 to puncture the prostate area to be sampled under the surgeon's tactile control. The lower hook of the harpoon tip will retain a portion of the tissue punctured and upon withdrawal and movement of the shaft 47, will engage the tip 46 to cause a severing action of the tissue. As the shaft 47 is further withdrawn by movement of element 56 rearwardly, the tissue sample will be retained in the pocket 53 of harpoon 48 within the tube 42. Thereafter, the sampling portion 40 may be withdrawn by movement rearwardly in the sheath 12 to remove the sampling structure from the sampling area. After the sampling structure 40 has been removed, the sheath 12 may



also be removed from the urethra, completing the process.

Once diagnosis of the problem has been achieved and treatment is required, the instrument can be used to provide treatment to the prostate area. In this instance, the sheath 12 retaining obturator 20 is again inserted into the urethra through the urethral orifice of the penis until the opening 14 is adjacent the prostate area to be treated. The obturator 20 is then withdrawn and the sampling portion 40 inserted into the sheath 12. In this instance, however, prior to insertion of the sampling portion 40, medication, such as radioactive iodine seeds, are first inserted into the pockets 51 in shaft 47 through the aligned openings 49. Once the seeds are in place, the shaft 47 is moved axially to misalign the pockets 51 and openings 49 and retain the seeds in the pockets 51 surrounded by the interior wall of tube 42.

To provide treatment, the sampling portion 40 is then inserted through the sheath 12 so that the harpoon tip penetrates the prostate area. After penetration, the harpoon tip and end 46 of tube 42 will be in the prostate area. Thereafter, by manipulation of the shaft 47, the pockets 51 can be realigned with openings 49 so that the iodine seeds can be expelled into the prostate area. Once the seeds have been expelled, the sampling portion 40 can be removed and reused to insert other seeds in different areas prior to removal of the sampling portion 40 and sheath 12 upon completion of treatment.

As an alternative to the above treatment structure, the sampling portion 40 may be constructed without the pockets 51 and openings 49.



In this instance, an iodine seed could be deposited in the pocket 53 and retained by withdrawing the harpoon tip into the tube 42 prior to insertion of the portion 40 into the sheath 12. Thereafter, the
5 portion 40 could be inserted to penetrate the prostate as described above, and the shaft 47 moved forward to open the pocket 53 into the prostate and release the iodine seed.

As can be seen by the above description,
10 the present invention provides a novel apparatus and technique for obtaining prostate biopsy samples and for providing prostate treatment. The present invention allows the insertion of a sampling device into the urethra with minimal discomfort to the
15 patient. By use of the obturator structure 20 in the sheath 12, the forward end of the cystoscope is formed so that easy insertion is facilitated. Thereafter, the obturator can be removed and the sampling portion 40 of the modified cystoscope
20 inserted. The sampling portion 40 provides for easy puncture and removal of a biospy sample along with a cooperating shaft for lens positioning and inspection of the sample area. The insertion of the sampling portion 40 allows and facilitates the ready
25 acquisition of a biospy sample without rectal penetration. The use of the sampling portion 40 with the sheath 12 also allows treatment of the prostate through the urethra with a simple technique not requiring additional surgical instruments. All
30 of the above are features which are not shown by any of the prior art.

Although the invention has been described with particular reference to specific structural configurations, it is obvious that many modifica-
35 tions can be made without departing from the present



invention. By way of example, the sample could be taken through the sheath by a sampling portion of another construction, or by any known type of sampling tool compatible with the structural cooperation disclosed. A variety of such structures used for other purposes in the prior art could be employed with the present structure to practice the inventive technique.

Likewise, in lieu of providing pockets in the harpoon structure used for sampling, a separate shaft having such pocket could be formed and interchanged with shaft 47 merely by releasing and replacing shaft 47 in member 56 upon loosening of set screw 57.

Obviously, many other modifications and variations of the present invention are possible in light of the above teachings. It is therefore to be understood that within the scope of the appended claims, the invention may be practiced otherwise than as is specifically described.



WHAT IS CLAIMED IS:

1. A medical process for obtaining a prostate sample for biopsy analysis comprising:
 - selecting an elongated sheath;
 - 5 inserting an obturator portion therein to form a smooth shaft portion;
 - inserting the sheath and obturator portion into the urethra to a predetermined position adjacent the prostate;
 - 10 removing the obturator portion from the sheath once it is in position;
 - selecting a biopsy sampling structure;
 - inserting the biopsy sampling structure into and through the sheath to a position adjacent
 - 15 the prostate;
 - piercing the prostate tissue with said biopsy sampling portion to obtain a tissue sample;
 - withdrawing the biopsy sampling portion from the sheath; and
 - 20 withdrawing the sheath from the urethra.

2. The process of Claim 1 further including the step of inserting a lens viewing structure through the biopsy sampling portion to view the area to be sampled.

- 25 3. The process of Claim 1 wherein the step of inserting the biopsy sampling portion comprises inserting a biopsy sampling portion having two adjacent parallel tubes, one of which provides a channel for receiving a viewing lens structure, and
- 30 the other of which retains a reciprocating harpoon cutting shaft for obtaining the prostate samples.



4. The process of Claim 3 further comprising:

inserting a viewing lens through the channel to view the sampling area.

5 5. A surgical instrument for performing medical procedures in the prostate comprising:

an elongated sheath portion having an opening at one end thereof;

10 a mounting member secured to an opposite end of said sheath portion;

said sheath being configured to removably receive an obturator having a shaft with a solid end portion retained within said opening in the sheath and a retaining member attached to the opposite end of said shaft and removably engaging the mounting member of said sheath; and

15 a tissue sampling portion removably coupled for slidable movement through said sheath and extending from said opening for enabling tissue sampling.

6. The instrument of Claim 5 wherein said sampling portion comprises:

25 first and second elongated tubes attached to and extending parallel to one another and slidably movable within said sheath;

a shaft slidably retained within said first tube and terminating in a harpoon shaped tip; and

30 means removably retaining said shaft for moving said shaft within said first tube for causing movement of said harpoon tip relative to a first end of said first tube to cause a cutting action at the end thereof;



said sampling portion being located in said sheath so that said first end of the first tube and an adjacent end of said second tube extend from the opening in said sheath.

5 7. The instrument of Claim 6 wherein said sampling portion further comprises a means retained by said mounting member for locking said obturator and sampling portion relative to said sheath.

10 8. The instrument of Claim 6 wherein said means for moving said shaft comprises:

 a member slidably received on said second tube;

 a first scissors arm connected to said mounting member;

15 a second scissors arm pivotally coupled to said first scissors arm and having a portion coupled to said member slidably received on said second tube;

20 said shaft being rigidly coupled to said member and said scissors arms cooperating so that upon movement of said second scissors arm, the member causes axial movement of said shaft in said first tube.

25 9. The instrument of Claim 5 further including means for providing an external channel into said sheath.

30 10. The instrument of Claim 5 wherein said tissue sampling portion further includes a means for retaining and expending medication coupled to extend from said opening when said sampling portion is in said sheath.



11. The instrument of Claim 6 wherein said first end of said first tube includes: a series of openings extending through the wall of the tube and axially spaced along that wall, and

5 a series of pockets axially spaced along said shaft at the end adjacent the harpoon tip, said pockets being spaced so that said shaft can be moved to align said pockets and openings so that said pockets may receive medication
10 through said openings.

12. The process for providing treatment of the prostate area comprising:

selecting an elongated sheath;
inserting an obturator portion therein to
15 form a smooth shaft portion;
inserting the sheath and obturator portion into the urethra to a predetermined position adjacent the prostate;
removing the obturator portion from the
20 sheath once it is in position;
selecting a medication depositing structure retaining medication therein;
inserting the depositing structure into and
through the sheath to a position adjacent the
25 prostate;
piercing the prostate with said depositing structure to position the medication within the prostate area;
releasing the medication from the
30 depositing structure into the prostate;
withdrawing the depositing structure from the sheath; and
withdrawing the sheath from the urethra.



13. The process of Claim 12 further including the step of inserting a viewing lens element through the depositing structure to view the prostate area to be treated.

5 14. The process of Claim 12 wherein the step of inserting the depositing structure comprises inserting a depositing structure having two adjacent parallel tubes, one of which provides a channel for receiving a viewing lens structure and the other of
10 which includes a series of openings and a reciprocating shaft having pockets capable of being aligned with said openings upon movement of said shaft, for receiving prostate medication.

15 15. The process of Claim 14 further including the step of depositing radioactive iodine seeds in said pockets.



1/2

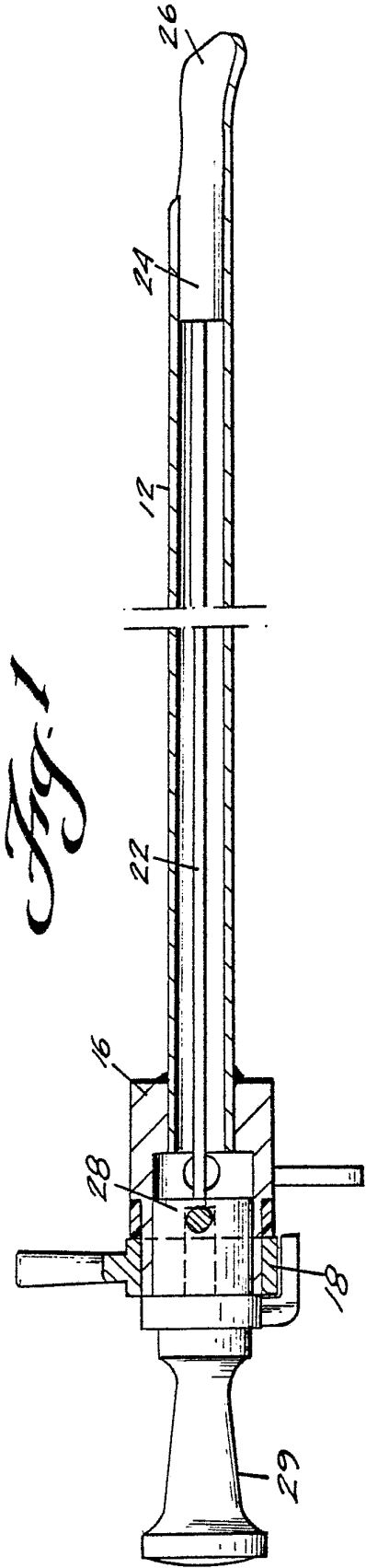


Fig. 1

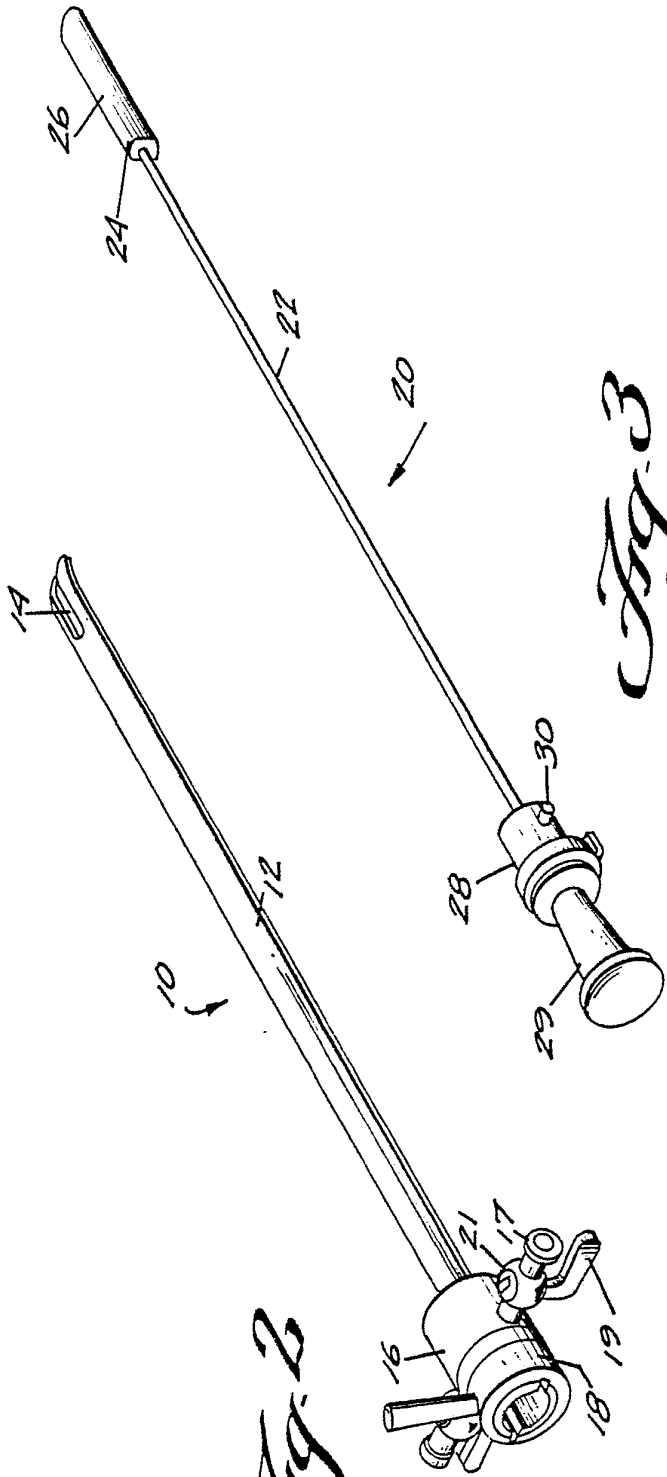


Fig. 2

Fig. 3

2/2

Fig. A

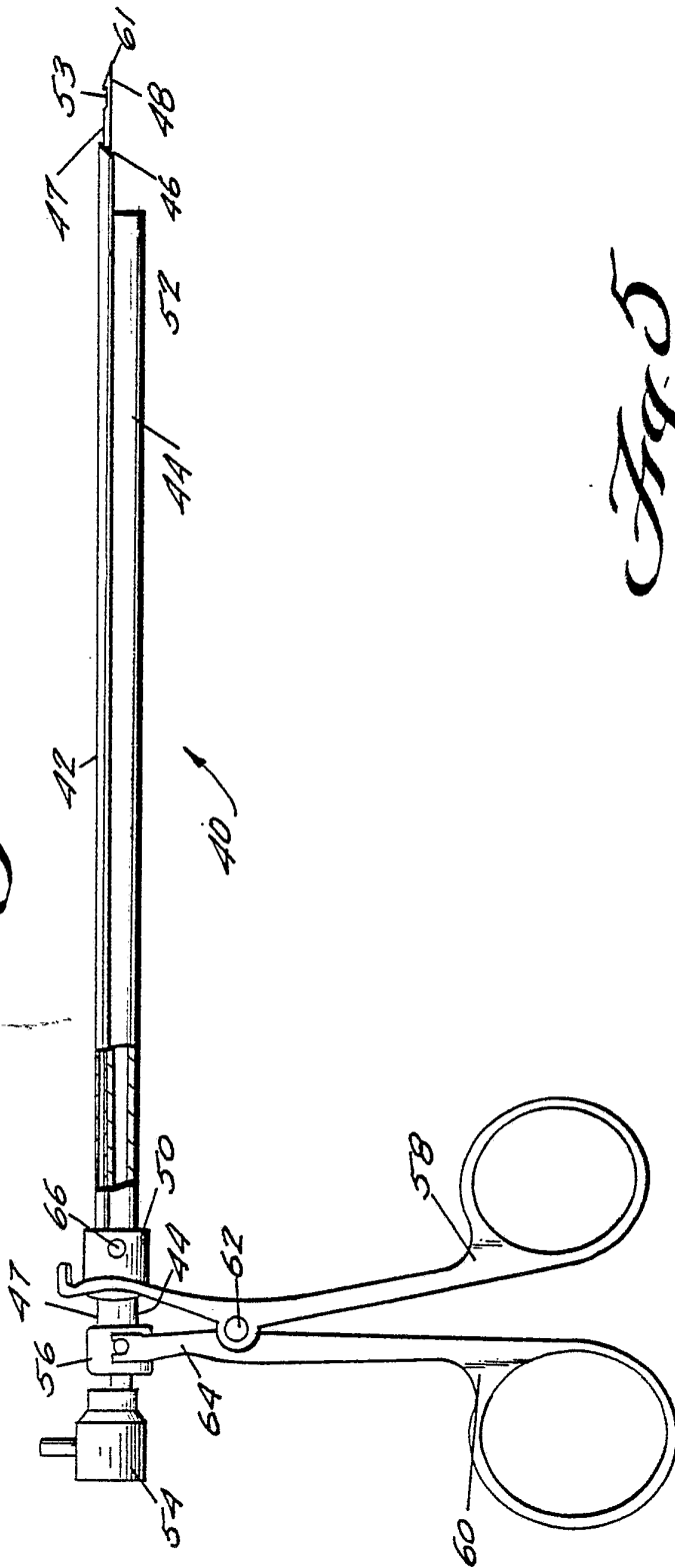
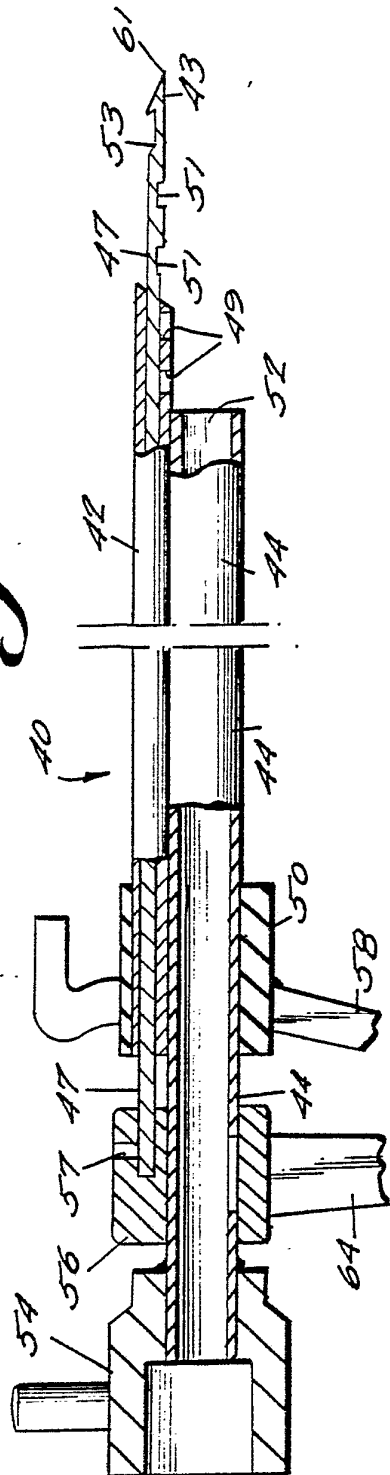


Fig. 5



INTERNATIONAL SEARCH REPORT

International Application No PCT/US81/01662

I. CLASSIFICATION OF SUBJECT MATTER (if several classification symbols apply, indicate all) ³				
According to International Patent Classification (IPC) or to both National Classification and IPC				
IPC ³ A61 B17/00 U.S. 128/753,217				
II. FIELDS SEARCHED				
Minimum Documentation Searched ⁴				
Classification System	Classification Symbols			
U.S.	128/753, 79, 217, 216, 4, 7			
Documentation Searched other than Minimum Documentation to the Extent that such Documents are Included in the Fields Searched ⁵				
III. DOCUMENTS CONSIDERED TO BE RELEVANT ¹⁴				
Category [*]	Citation of Document, ¹⁶ with indication, where appropriate, of the relevant passages ¹⁷	Relevant to Claim No. ¹⁸		
X	US, A, Patent 4,230,123, Published 10 October 1980	1-11,12-15		
X	US, A, Patent 4,244,370, Published 13 January 1981	1-4,13		
X	US, A, Patent 3,942,530, Published 09 March 1976	2		
X	US, A. Patent 1,127,948, Published 09 February 1915	3,4,13,14		
X	US, A, Patent 3,477,423, Published 11 November 1969	6		
X	N,Walter P. Scott, A Spacer/Injector Needle for I25 I and other Radioactive Sources In Permanent Seed Implants, Radiology Vol.122, No.3, March 1977, pp. 832-834	12,15		
<p>[*] Special categories of cited documents: ¹⁵</p> <table style="width: 100%; border: none;"> <tr> <td style="width: 50%; border: none;"> <p>"A" document defining the general state of the art</p> <p>"E" earlier document but published on or after the international filing date</p> <p>"L" document cited for special reason other than those referred to in the other categories</p> <p>"O" document referring to an oral disclosure, use, exhibition or other means</p> </td> <td style="width: 50%; border: none;"> <p>"P" document published prior to the international filing date but on or after the priority date claimed</p> <p>"T" later document published on or after the international filing date or priority date and not in conflict with the application, but cited to understand the principle or theory underlying the invention</p> <p>"X" document of particular relevance</p> </td> </tr> </table>			<p>"A" document defining the general state of the art</p> <p>"E" earlier document but published on or after the international filing date</p> <p>"L" document cited for special reason other than those referred to in the other categories</p> <p>"O" document referring to an oral disclosure, use, exhibition or other means</p>	<p>"P" document published prior to the international filing date but on or after the priority date claimed</p> <p>"T" later document published on or after the international filing date or priority date and not in conflict with the application, but cited to understand the principle or theory underlying the invention</p> <p>"X" document of particular relevance</p>
<p>"A" document defining the general state of the art</p> <p>"E" earlier document but published on or after the international filing date</p> <p>"L" document cited for special reason other than those referred to in the other categories</p> <p>"O" document referring to an oral disclosure, use, exhibition or other means</p>	<p>"P" document published prior to the international filing date but on or after the priority date claimed</p> <p>"T" later document published on or after the international filing date or priority date and not in conflict with the application, but cited to understand the principle or theory underlying the invention</p> <p>"X" document of particular relevance</p>			
IV. CERTIFICATION				
Date of the Actual Completion of the International Search ²	Date of Mailing of this International Search Report ²			
3/23/82	16 APR 1982			
International Searching Authority ¹	Signature of Authorized Officer ³⁰			
ISA/US	