



INTERNATIONAL APPLICATION PUBLISHED UNDER THE PATENT COOPERATION TREATY (PCT)

(51) International Patent Classification ⁶ : A47F 5/10, 5/00	A3	(11) International Publication Number: WO 95/13003 (43) International Publication Date: 18 May 1995 (18.05.95)
---	-----------	--

(21) International Application Number: PCT/GB94/02387

(22) International Filing Date: 31 October 1994 (31.10.94)

(30) Priority Data:
9322492.1 1 November 1993 (01.11.93) GB(71) Applicant (for all designated States except US): PPE LIMITED
[GB/GB]; Unit 7, West Road, Templefields, Harlow, Essex
CM20 2BU (GB).

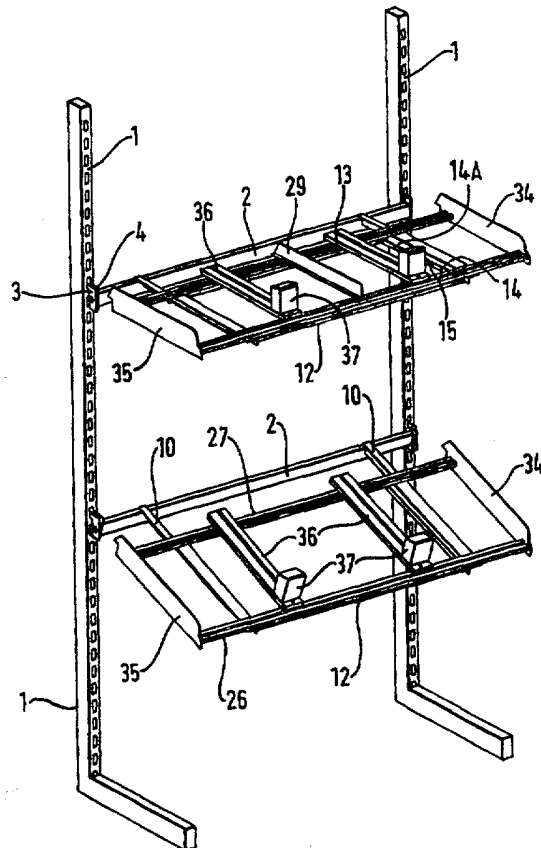
(72) Inventor; and

(75) Inventor/Applicant (for US only): PARKER, Nigel, Ian
[GB/GB]; The Lodge, Barrowfields, Much Hadham, Herts
SG10 6BD (GB).(74) Agents: WOODWARD, John, Calvin et al.; Venner, Shipley
& Co, 20 Little Britain, London EC1A 7DH (GB).(81) Designated States: AU, BB, BG, BR, CA, CN, CZ, FI, HU,
JP, KP, KR, KZ, LK, LV, MG, MN, MW, NO, NZ, PL,
RO, RU, SD, SK, UA, US, UZ, VN, European patent (AT,
BE, CH, DE, DK, ES, FR, GB, GR, IE, IT, LU, MC, NL,
PT, SE), OAPI patent (BF, BJ, CF, CG, CI, CM, GA, GN,
ML, MR, NE, SN, TD, TG).**Published***With international search report.**Before the expiration of the time limit for amending the
claims and to be republished in the event of the receipt of
amendments.*(88) Date of publication of the international search report:
5 October 1995 (05.10.95)

(54) Title: ADJUSTABLE SHELF ASSEMBLY FOR MERCHANDISING DISPLAY STAND

(57) Abstract

An extendable shelf assembly is disclosed which is adapted to be removably mounted on the slotted uprights (1) of a merchandising display stand comprising a shelf mounted on shelf support means (10), shelf extending means (20, 21) attached to said shelf and the shelf support means and operable so that the shelf can be extended or retracted. Manually operable locking means (12-15) are also provided which permit the shelf to be extended or retracted and moved from one position to another when the locking means are released, the locking means retaining the shelf in its selected position when engaged. An angularly adjustable shelf support assembly is also disclosed which comprises a first mounting member (3) with means (1B) thereon for releasably attaching said member to a slotted upright (1) and a second mounting member (4) for attachment to the shelf to take the load thereof. The first and second mounting members (3, 4) having cooperating pegs (5) and holes (6) thereon by means of which the angular orientation of the second member (4) relative to the first member (3) can be changed and securing means to hold the first and mounting members together in their selected angular orientation.



FOR THE PURPOSES OF INFORMATION ONLY

Codes used to identify States party to the PCT on the front pages of pamphlets publishing international applications under the PCT.

AT	Austria	GB	United Kingdom	MR	Mauritania
AU	Australia	GE	Georgia	MW	Malawi
BB	Barbados	GN	Guinea	NE	Niger
BE	Belgium	GR	Greece	NL	Netherlands
BF	Burkina Faso	HU	Hungary	NO	Norway
BG	Bulgaria	IE	Ireland	NZ	New Zealand
BJ	Benin	IT	Italy	PL	Poland
BR	Brazil	JP	Japan	PT	Portugal
BY	Belarus	KE	Kenya	RO	Romania
CA	Canada	KG	Kyrgystan	RU	Russian Federation
CF	Central African Republic	KP	Democratic People's Republic of Korea	SD	Sudan
CG	Congo	KR	Republic of Korea	SE	Sweden
CH	Switzerland	KZ	Kazakhstan	SI	Slovenia
CI	Côte d'Ivoire	LI	Liechtenstein	SK	Slovakia
CM	Cameroon	LK	Sri Lanka	SN	Senegal
CN	China	LU	Luxembourg	TD	Chad
CS	Czechoslovakia	LV	Latvia	TG	Togo
CZ	Czech Republic	MC	Monaco	TJ	Tajikistan
DE	Germany	MD	Republic of Moldova	TT	Trinidad and Tobago
DK	Denmark	MG	Madagascar	UA	Ukraine
ES	Spain	ML	Mali	US	United States of America
FI	Finland	MN	Mongolia	UZ	Uzbekistan
FR	France			VN	Viet Nam
GA	Gabon				

INTERNATIONAL SEARCH REPORT

Inter. Application No
PCT/GB 94/02387

A. CLASSIFICATION OF SUBJECT MATTER
IPC 6 A47F5/10 A47F5/00

According to International Patent Classification (IPC) or to both national classification and IPC

B. FIELDS SEARCHED

Minimum documentation searched (classification system followed by classification symbols)
IPC 6 A47F A47B

Documentation searched other than minimum documentation to the extent that such documents are included in the fields searched

Electronic data base consulted during the international search (name of data base and, where practical, search terms used)

C. DOCUMENTS CONSIDERED TO BE RELEVANT

Category *	Citation of document, with indication, where appropriate, of the relevant passages	Relevant to claim No.
X	US,A,4 705 175 (HOWARD ET AL.) 10 November 1987	1-3
Y	see abstract; figures 1,11-14	4-6, 11-14
A	see column 6, line 4 - line 27 ---	8,15,16
P,Y	EP,A,0 587 059 (SCINTILLA AG) 16 March 1994 see abstract; figures 1-5 see column 2, line 11 - line 30 ---	4-6
Y A	EP,A,0 176 209 (HAWORTH INC.) 2 April 1986 see abstract; figure 2 see page 12, last paragraph - page 14, paragraph 1 ---	11-13 7,8
Y	DE,A,20 02 720 (SCHERER) 29 July 1971 see claim 1; figure 1 ---	14
	-/--	

Further documents are listed in the continuation of box C.

Patent family members are listed in annex.

* Special categories of cited documents :

- "A" document defining the general state of the art which is not considered to be of particular relevance
- "E" earlier document but published on or after the international filing date
- "L" document which may throw doubts on priority claim(s) or which is cited to establish the publication date of another citation or other special reason (as specified)
- "O" document referring to an oral disclosure, use, exhibition or other means
- "P" document published prior to the international filing date but later than the priority date claimed

- "T" later document published after the international filing date or priority date and not in conflict with the application but cited to understand the principle or theory underlying the invention
- "X" document of particular relevance; the claimed invention cannot be considered novel or cannot be considered to involve an inventive step when the document is taken alone
- "Y" document of particular relevance; the claimed invention cannot be considered to involve an inventive step when the document is combined with one or more other such documents, such combination being obvious to a person skilled in the art.
- "&" document member of the same patent family

Date of the actual completion of the international search

15 February 1995

Date of mailing of the international search report

31.08.95

Name and mailing address of the ISA

European Patent Office, P.B. 5818 Patentlaan 2
NL - 2280 HV Rijswijk
Tel. (+31-70) 340-2040, Tx. 31 651 epo nl,
Fax: (+31-70) 340-3016

Authorized officer

JONES, C

INTERNATIONAL SEARCH REPORT

International Application No
PCT/GB 94/02387

C.(Continuation) DOCUMENTS CONSIDERED TO BE RELEVANT

Category *	Citation of document, with indication, where appropriate, of the relevant passages	Relevant to claim No.
A	US,A,3 667 826 (WOOD ET AL.) 6 June 1972 see figure 11 -----	26

INTERNATIONAL SEARCH REPORT

International application No.

PCT/GB94/02387

Box I Observations where certain claims were found unsearchable (Continuation of item 1 of first sheet)

This international search report has not been established in respect of certain claims under Article 17(2)(a) for the following reasons:

1. Claims Nos.:
because they relate to subject matter not required to be searched by this Authority, namely:

2. Claims Nos.:
because they relate to parts of the international application that do not comply with the prescribed requirements to such an extent that no meaningful international search can be carried out, specifically:

3. Claims Nos.:
because they are dependent claims and are not drafted in accordance with the second and third sentences of Rule 6.4(a).

Box II Observations where unity of invention is lacking (Continuation of item 2 of first sheet)

This International Searching Authority found multiple inventions in this international application, as follows:

1. Claims: 1-19, 26-28
2. Claims: 20-25

1. As all required additional search fees were timely paid by the applicant, this international search report covers all searchable claims.

2. As all searchable claims could be searched without effort justifying an additional fee, this Authority did not invite payment of any additional fee.

3. As only some of the required additional search fees were timely paid by the applicant, this international search report covers only those claims for which fees were paid, specifically claims Nos.:

4. No required additional search fees were timely paid by the applicant. Consequently, this international search report is restricted to the invention first mentioned in the claims; it is covered by claims Nos.:

1-19, 26-28

Remark on Protest

- The additional search fees were accompanied by the applicant's protest.
- No protest accompanied the payment of additional search fees.

INTERNATIONAL SEARCH REPORT

Information on patent family members

Inter. Patent Application No

PCT/GB 94/02387

Patent document cited in search report	Publication date	Patent family member(s)	Publication date
US-A-4705175	10-11-87	US-A- 4771898	20-09-88
EP-A-0587059	16-03-94	DE-U- 9211985	13-01-94
EP-A-0176209	02-04-86	US-A- 4660477	28-04-87
		AU-A- 4595085	20-02-86
		JP-A- 61071005	11-04-86
DE-A-2002720	29-07-71	NONE	
US-A-3667826	06-06-72	NONE	