

(21) Application No 9320742.1

(22) Date of Filing 08.10.1993

(30) Priority Data

(31) 9222029 (32) 20.10.1992 (33) GB

(71) Applicant(s)

John Fortune Jones  
17 Croft Drive East, Caldy, WIRRAL, Merseyside,  
L48 1LT, United Kingdom

(72) Inventor(s)

John Fortune Jones

(74) Agent and/or Address for Service

Potts, Kerr & Co  
15 Hamilton Square, BIRKENHEAD, Merseyside,  
L41 6BR, United Kingdom

(51) INT CL<sup>5</sup>

F16B 2/06, E04H 17/00

(52) UK CL (Edition M)

E2A AGKH A379  
U1S S1710

(56) Documents Cited

GB 0938540 A GB 0611337 A

(58) Field of Search

UK CL (Edition L) E1D DLEKMNV DLELB, E2A AGEA  
AGKF

INT CL<sup>5</sup> E04H 17/00 17/10 17/14 17/16 17/20 17/22

17/24, F16B 2/00 2/02 2/06

Online database:-WPI

(54) Clip member for use with I-shaped fence posts

(57) A clip member for use with I-shaped fence post is described, comprising a substantially U-shaped bracket having a central portion 11 lying, in use, adjacent a surface of said post, and outer portions 12, 13 bent over inwardly to engage with a groove or grooves 2, 3 in said post, and comprising clamping means such as screw 15 for securing said clip member to said post, by engaging the port surface and drawing the portions 12, 13 against the walls of the groove. The arms 12, 13 may passing substantially all the way around the post so as to engage in the same groove (fig. 5).

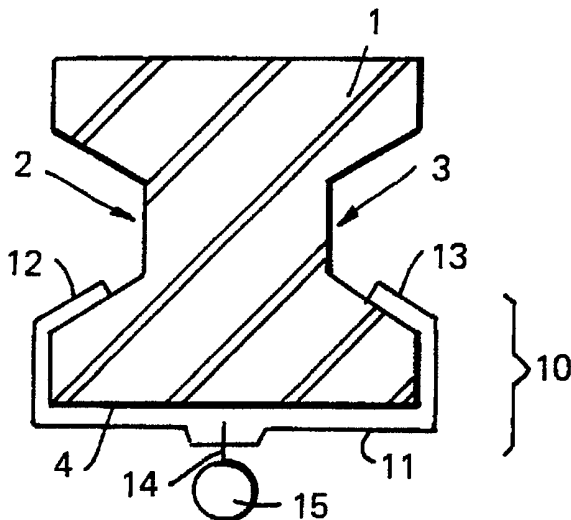


FIG. 1

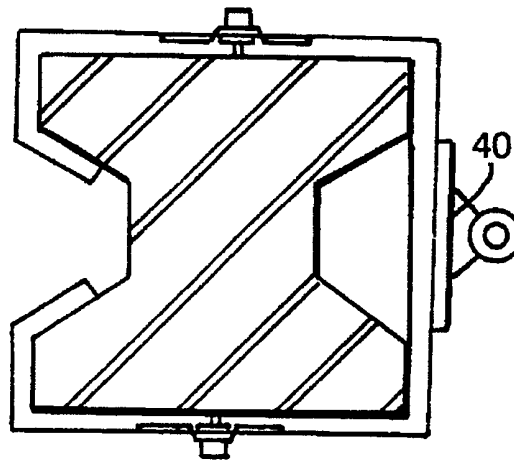
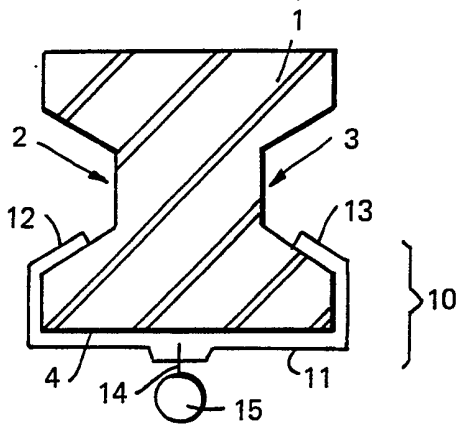
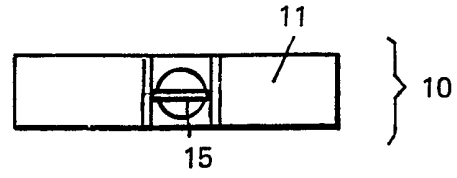


FIG. 5

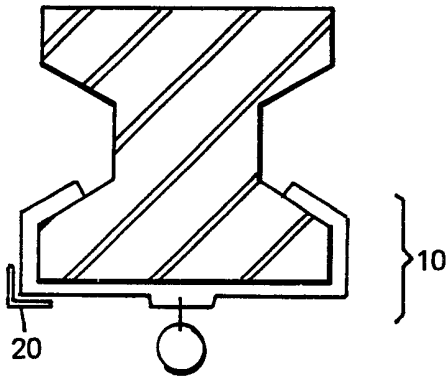
GB 2 271 806 A



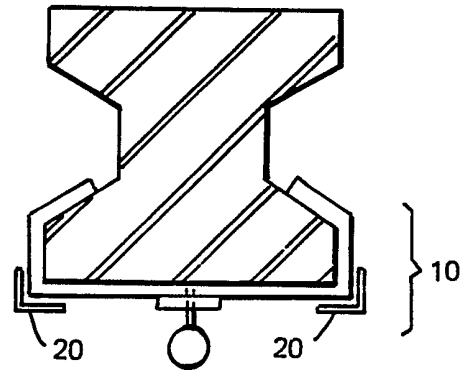
**FIG. 1**



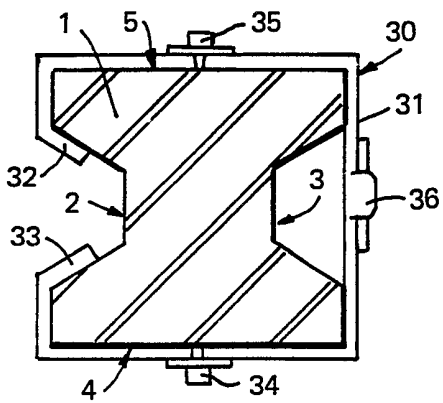
**FIG. 1a**



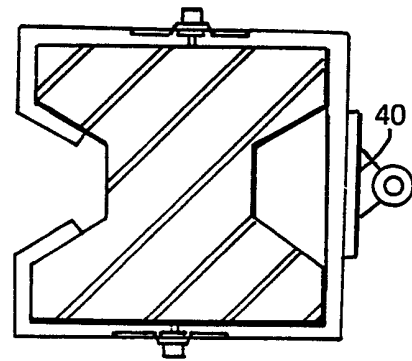
**FIG. 2**



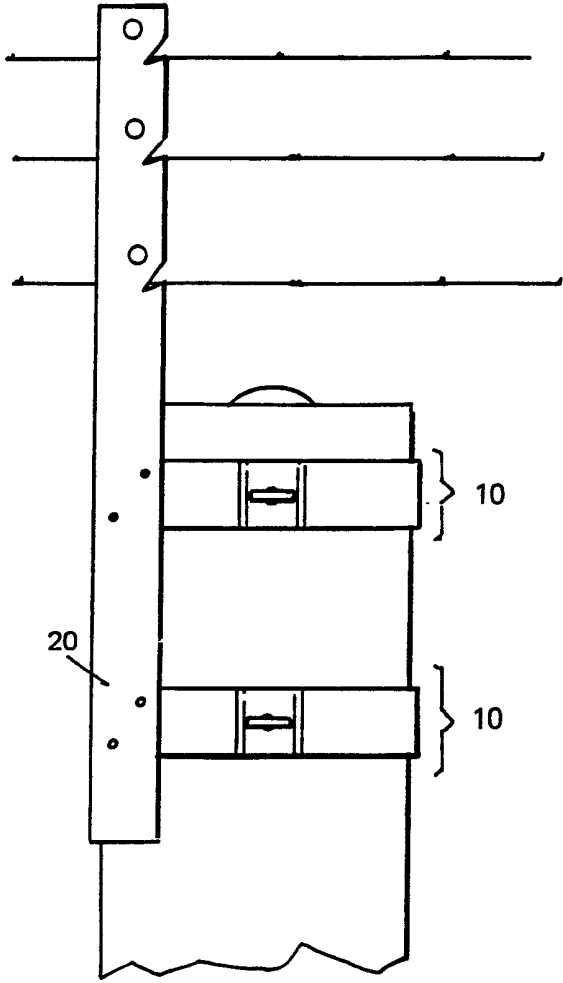
**FIG. 3**



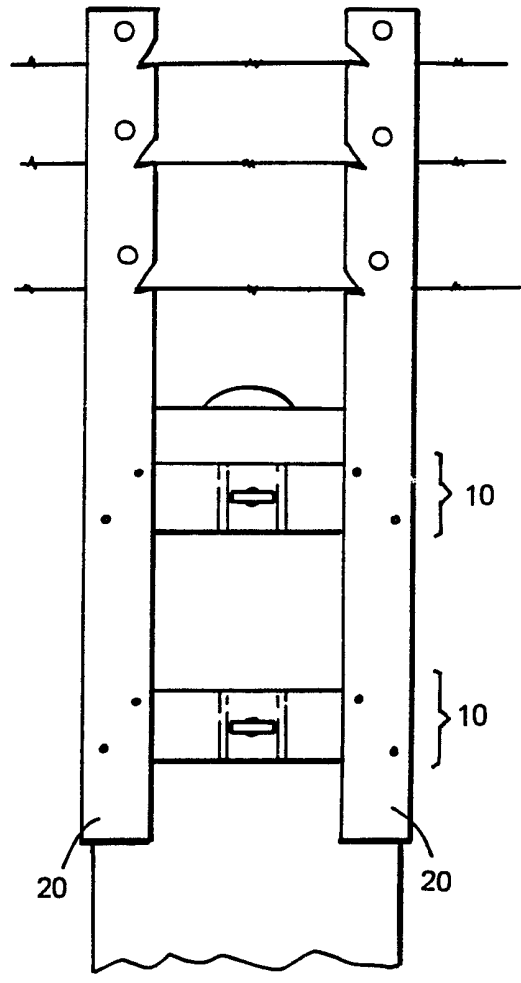
**FIG. 4**



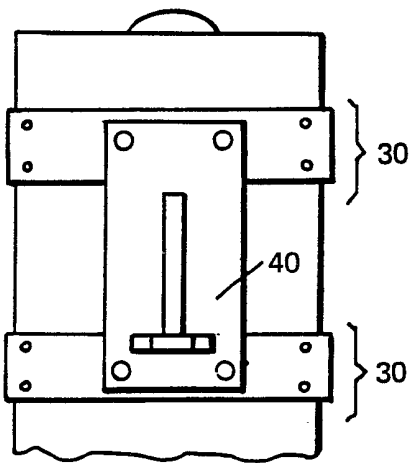
**FIG. 5**



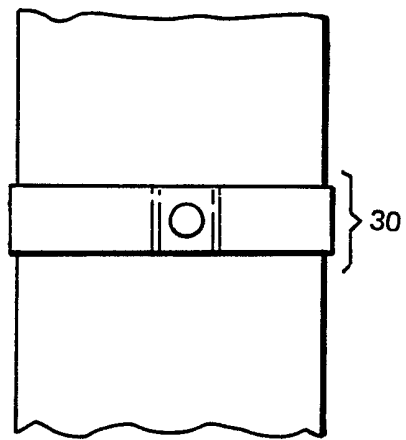
**FIG. 2a**



**FIG. 3a**



**FIG. 5a**



**FIG. 4a**

CLIP MEMBER FOR USE WITH I-SHAPED FENCE POSTS

The present invention relates to a clip member for use with a fence post of an I-shaped cross-section, and more particularly to a clip member which enables various devices to be secured to such a fence post.

Commonly used in the field of fencing are concrete posts with a so-called "I-shaped" cross-section, having vertical grooves in two opposing faces of the post such that when the posts are spaced an appropriate distance apart a wooden fence panel may be slotted into said grooves and thus held by said concrete posts. Such fence posts however, being concrete, do not readily lend themselves to the attachment or mounting of supports or fastenings, for example for securing garden netting, wires to which plants may be tied, trellises, or barbed-wire, or hinges for a gate in the fence.

It is the object of the present invention to provide means for securing various devices and attachments to such concrete fence posts.

According to the present invention there is provided a clip member for use with a grooved post, comprising: a generally U-shaped strip having the outer ends thereof bent over inwardly so as to be engageable in use with grooves in said post, a central portion of said U-shaped strip being locatable adjacent a surface of said post in use; and clamping means for securing said clip member to said post.

The clip member may be formed from any suitable material such as metal or plastics material, but is preferably a strip of pressed spring steel. Said clamping means is preferably a screw threaded device mounted in a

central portion of the clip member. Advantageously said clamping means may be tightened against the surface of one side of the concrete posts, so as to pull the bent over outer ends of the clip member towards the inner surfaces of said grooves of the fence post. Said clip member or said screw threaded device may be provided with a hook or eye to which garden twine, wire or the like may be secured, for example for supporting garden plants.

Further preferably, two clip members may be mounted one above the other on the fence post, and one or more interjoining vertical members fixed to both clips, thus forming a support device. Preferably, this support device may be secured to the post such that the vertical member or members protrude above the post allowing wire, twine, barbed-wire, or a wooden trellis to be secured thereto.

Also according to the present invention there is provided a clip member for use with a grooved post, comprising: a generally U-shaped strip having a central portion thereof lying adjacent a grooved face of said post in use, the outer ends of said U-shaped strip being bent over inwardly so as to be engageable with surfaces of a groove on an opposing side of said post; and clamping means for securing said clip member to said post.

Preferably, two or more clip members may be mounted one above the other to support a hinge or gudgeon pin for a gate or door in the fence. Further preferably, said clip member may be modified to receive a bolt or locking mechanism from a door or gate in the fence.

The present invention has many advantages in that it does not hinder the fence panels being inserted or removed, is itself easily installed and removed, avoids

having to drill or bore holes into the solid concrete of the post, provides strong secure fixing points for wires, ropes, ties, twine, trellises and in a preferred embodiment enables a gate or door in the fence to be readily inserted in the place of a fence panel.

Further uses and applications of the present invention will be become apparent from the following description of preferred embodiments of the invention with reference to the accompanying drawings, in which:

FIGS. 1-3 show variations on a first preferred embodiment; and

FIGS. 4 and 5 show variations of a second preferred embodiment.

The simplest embodiment of the clip member is shown in Fig. 1 in plan view engaging with an I-shaped concrete post, and separately in elevation. Concrete post 1 has a rectangular crosssection and grooves 2,3 in opposing faces. Clip member 10 comprises a substantially U-shaped strip of spring steel 11 having the outer ends thereof 12,13 bent over inwardly so as to engage with grooves 2,3 respectively. A screw threaded clamp 14 is mounted in the central portion of clip member 11. Clamp 14 may be screwed tightly against face 4 of post 1, thus pulling end portions 12 and 13 tightly into the inner faces of grooves 2 and 3. Clamp 14 is provided with an eye 15. Eye 15 may be used, for example, for receiving ties or twine.

In Fig. 2, two clips of the type shown in Fig. 1 are mounted on post 1 and have an elongate upright 20 secured therebetween, thus forming a support device. Vertical member 20 protrudes above the concrete post 1 in use and may be used, for example, for supporting barbed-wire and the like.

Fig. 3 shows an alternate version of the support device of Fig. 2, wherein two support members 20 are provided.

Figs. 4 and 5 show a second preferred embodiment of the present invention. With reference to Fig. 4, a clip member 30 is shown engaging with concrete post 1.

In this embodiment, clip member 30 is formed from a substantially U-shaped strip of pressed spring steel having the outer ends thereof bent over inwardly such that ends 32 and 33 both engage with the inner surfaces of groove 2. A central portion of the strip lies adjacent groove 3. Clamp 34 is a screw threaded device, and may be a bolt in a threaded aperture in strip 31. Clamp 34 presses against face 4, thus forcing end portion 33 tightly against the inner face of groove 2. Clamp 35 is arranged similarly to press against face 5, and urge end 32 against an opposing inner face of groove 2. The portion of strip 31 lying adjacent groove 3 is provided with aperture 36, suitable for receiving a bolt or similar locking mechanism provided on a door or gate in the fence.

Clip member 30 may alternatively further comprise means for hanging a door or gate in the fence. In the embodiment shown in Fig. 5, two clip members 30 are provided of the type described above with reference to Fig. 4, but with a hinge or gudgeon pin 40 mounted therebetween.

CLAIMS

1. A clip member for use with a grooved post, comprising:

a generally U-shaped strip having the outer ends thereof bent over inwardly so as to be engageable in use with a groove or grooves in said post, a central portion of said U-shaped strip being locatable adjacent a surface of said post in use; and

clamping means for securing said clip member to said post.

2. A clip member as claimed in Claim 1, wherein said clip member is a strip of pressed spring steel.

3. A clip member as claimed in Claim 2, wherein said clamping means is a screw thread mountable within said central portion of said clip member.

4. A clip member as claimed in Claim 3, further comprising a hook or eye portion.

5. A support device comprising two clip members of the type claimed in any of Claims 1-4, wherein said two clip members are mountable one above the other on said concrete post; and one or more interjoining vertical members provided between said clip members.

6. A support device as claimed in Claim 5, wherein said vertical member or members protrude, in use, above said post.

7. A clip member for use with a grooved post, comprising:

a generally U-shaped strip having a central portion thereof lying adjacent a grooved face of said post



in use, the outer ends of said U-shaped strip being bent over inwardly so as to be engageable with surfaces of a groove on an opposing side of said post; and

clamping means for securing said clip member to said post.

8. A clip member as claimed in Claim 7, further comprising a hinge or gudgeon pin.

9. A clip member as claimed in Claim 7, further comprising means for receiving a bolt or locking mechanism.

10. A clip member substantially as hereinbefore described with reference to the accompanying drawings.

**Relevant Technical Fields**

- (i) UK Cl (Ed.L) E1D (DLEKMN, DLELB); E2A (AGEA, AGKF)
- (ii) Int Cl (Ed.5) E04H 17/00, 17/10, 17/14, 17/16, 17/20, 17/22, 17/24; F16B 2/00, 2/02, 2/06

Search Examiner  
 J D WILSON

Date of completion of Search  
 21 DECEMBER 1993

**Databases (see below)**

- (i) UK Patent Office collections of GB, EP, WO and US patent specifications.
- (ii) ONLINE DATABASE : WPI

Documents considered relevant following a search in respect of Claims :-  
 1-10

**Categories of documents**

- X:** Document indicating lack of novelty or of inventive step.      **P:** Document published on or after the declared priority date but before the filing date of the present application.
- Y:** Document indicating lack of inventive step if combined with one or more other documents of the same category.      **E:** Patent document published on or after, but with priority date earlier than, the filing date of the present application.
- A:** Document indicating technological background and/or state of the art.      **&:** Member of the same patent family; corresponding document.

Category	Identity of document and relevant passages	Relevant to claim(s)
X	GB 0938540 (SOC ANON ISOBELEC) - see especially Figures 2-4	1-3, 7
X	GB 0611337 (BICC) - see the figures, note hole 15	1-4, 7, 9

**Databases:**The UK Patent Office database comprises classified collections of GB, EP, WO and US patent specifications as outlined periodically in the Official Journal (Patents). The on-line databases considered for search are also listed periodically in the Official Journal (Patents).