

(19) World Intellectual Property Organization
International Bureau



(43) International Publication Date
15 September 2011 (15.09.2011)

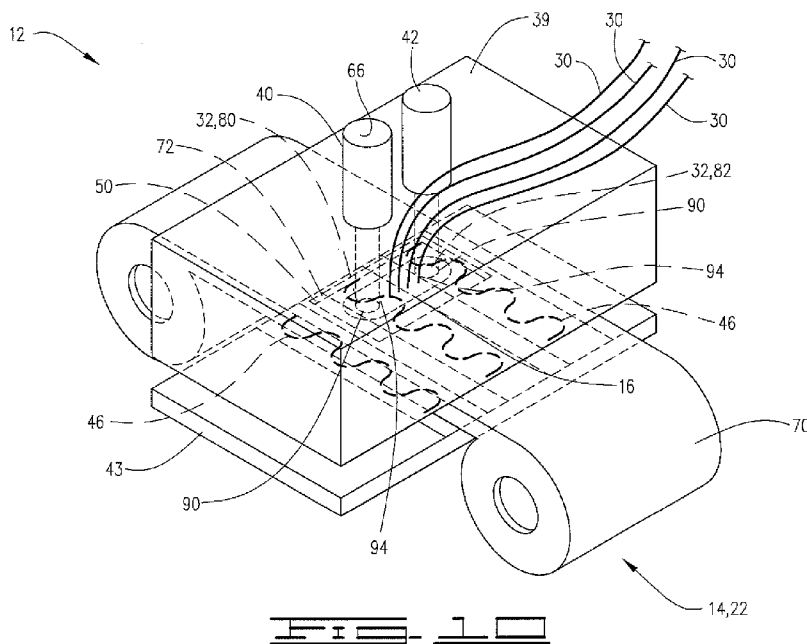
(10) International Publication Number
WO 2011/112222 A3

- (51) International Patent Classification:
G01N 21/00 (2006.01) *G01N 30/00* (2006.01)
- (21) International Application Number:
PCT/US2010/060321
- (22) International Filing Date:
14 December 2010 (14.12.2010)
- (25) Filing Language: English
- (26) Publication Language: English
- (30) Priority Data:
61/286,529 15 December 2009 (15.12.2009) US
- (71) Applicant (for all designated States except US): **NO-MADICS, INC.** [US/US]; 1024 S. Innovation Way, Oklahoma City, OK 74074 (US).
- (72) Inventors; and
- (75) Inventors/Applicants (for US only): **O'DELL, Brian, Dwayne** [US/US]; 2717 Lori Circle, Stillwater, OK 74075 (US). **LAGRONE, Marcus** [US/US]; 1323 Little Fox Trail, Fairbanks, AK 99712 (US). **LEUSCHEN, Martin** [CA/US]; 1401 South Surrey Drive, Stillwater, OK 74074 (US). **ZACHARIAS, Kevin** [US/US]; 5212 N. Hunters Ridge, Stillwater, OK 74075 (US).

- (74) Agents: **MILLER, Richard, G.** et al.; McAfee & Taft, 10th Floor, 2 Leadership Square, 211 North Robinson, Oklahoma City, OK 73102 (US).
- (81) Designated States (unless otherwise indicated, for every kind of national protection available): AE, AG, AL, AM, AO, AT, AU, AZ, BA, BB, BG, BH, BR, BW, BY, BZ, CA, CH, CL, CN, CO, CR, CU, CZ, DE, DK, DM, DO, DZ, EC, EE, EG, ES, FI, GB, GD, GE, GH, GM, GT, HN, HR, HU, ID, IL, IN, IS, JP, KE, KG, KM, KN, KP, KR, KZ, LA, LC, LK, LR, LS, LT, LU, LY, MA, MD, ME, MG, MK, MN, MW, MX, MY, MZ, NA, NG, NI, NO, NZ, OM, PE, PG, PH, PL, PT, RO, RS, RU, SC, SD, SE, SG, SK, SL, SM, ST, SV, SY, TH, TJ, TM, TN, TR, TT, TZ, UA, UG, US, UZ, VC, VN, ZA, ZM, ZW.
- (84) Designated States (unless otherwise indicated, for every kind of regional protection available): ARIPO (BW, GH, GM, KE, LR, LS, MW, MZ, NA, SD, SL, SZ, TZ, UG, ZM, ZW), Eurasian (AM, AZ, BY, KG, KZ, MD, RU, TJ, TM), European (AL, AT, BE, BG, CH, CY, CZ, DE, DK, EE, ES, FI, FR, GB, GR, HR, HU, IE, IS, IT, LT, LU, LV, MC, MK, MT, NL, NO, PL, PT, RO, RS, SE, SI, SK, SM, TR), OAPI (BF, BJ, CF, CG, CI, CM, GA, GN, GQ, GW, ML, MR, NE, SN, TD, TG).

[Continued on next page]

(54) Title: MULTI-ANALYTE DETECTION SYSTEM AND METHOD



(57) Abstract: The invention provides for a multiple analyte detector that is capable of detecting and identifying explosive, chemical or biological substances having multiple analytes with a single system having multiple reporters. The reporters include fluorescent polymers, conducting polymers, metal oxide elements, electrochemical cells, etc. The reporters may be combinations of other reporters that are optimized for broad-band detection.



WO 2011/112222 A3



Published:

(88) Date of publication of the international search report:

17 November 2011

- *with international search report (Art. 21(3))*
- *before the expiration of the time limit for amending the claims and to be republished in the event of receipt of amendments (Rule 48.2(h))*

INTERNATIONAL SEARCH REPORT

International application No.

PCT/US 10/60321

A. CLASSIFICATION OF SUBJECT MATTER

IPC(8) - G01N 21/00, 30/00 (2011.01)

USPC - 436/43, 164

According to International Patent Classification (IPC) or to both national classification and IPC

B. FIELDS SEARCHED

Minimum documentation searched (classification system followed by classification symbols)

IPC(8): G01N 21/00, 30/00 (2011.01)

USPC: 436/43, 164

Documentation searched other than minimum documentation to the extent that such documents are included in the fields searched

IPC(8): G01N 21/00, 30/00 (2011.01)

USPC: 436/43, 164

Electronic data base consulted during the international search (name of data base and, where practicable, search terms used)

PubWEST;PGPB, USPT, EPAB, JPAB, Thomson Innovation, GoogleScholar, GooglePatents

Detector, explosive, hazardous, dangerous, warfare, fiber optics, analyte, gas, volatile, computer, logic, software, inlet, outlet, flow, sensor, Nomadics

C. DOCUMENTS CONSIDERED TO BE RELEVANT

Category*	Citation of document, with indication, where appropriate, of the relevant passages	Relevant to claim No.
Y	US 7,419,636 B2 (ACKER et al.) 2 September 2008 (02.09.2008) Title, Fig. 2, col 3, ln 30-40, col 7, ln 24-30, col 17, ln 59-67	1-40
Y	US 2008/0248578 A1 (DEANS et al.) 9 October 2008 (09.10.2008) para [0010], para [0040], para [0041], para [0053], para [0064], para [0065], para [0066], para [0067], para [0069], para [0080], para [0102], para [0107]	1-40
Y	US 7,005,292 B2 (WILDING et al.) 28 February 2006 (28.02.2006) Fig. 1, Fig. 3, Fig. 17A, col 3, ln 6-15, col 7, ln 35-41, col 7, ln 55-65, col 10, ln 45-50, col 20, ln 1-40	1-40
Y	US 7,578,973 B2 (CALL et al.) 25 August 2009 (25.08.2009) Fig. 16, Fig. 17A, Fig. 17B, col 2, ln 45-50, col 4, ln 30-35, col 11, ln 60-67, col 29, ln 24-30, col 29, ln 60-65, col 30, ln 50-65, col 36, ln 10-52, col 37, ln 55-67, col 46, ln 5-7	7-8, 10-15, 17 and 37-39
A	Sulfinert Coatings (2002) http://www.chromspec.com/pdf/lit/59318a.pdf Retrieved 16 September 2011	25
Y	US 2007/0243618 A1 (HATCHETT et al.) 18 October 2007 (18.10.2007) Abstract, para [0124]	27 and 29
Y	US 5,491,097 A (RIBI et al.) 13 February 1996 (13.02.1996) col 20, ln 20-25	34
Y	US 2009/0030617 A1 (SCHELL et al.) 29 January 2009 (29.01.2009) para [0085]	35

 Further documents are listed in the continuation of Box C.

* Special categories of cited documents:	"T" later document published after the international filing date or priority date and not in conflict with the application but cited to understand the principle or theory underlying the invention
"A" document defining the general state of the art which is not considered to be of particular relevance	"X" document of particular relevance; the claimed invention cannot be considered novel or cannot be considered to involve an inventive step when the document is taken alone
"E" earlier application or patent but published on or after the international filing date	"Y" document of particular relevance; the claimed invention cannot be considered to involve an inventive step when the document is combined with one or more other such documents, such combination being obvious to a person skilled in the art
"L" document which may throw doubts on priority claim(s) or which is cited to establish the publication date of another citation or other special reason (as specified)	"&" document member of the same patent family
"O" document referring to an oral disclosure, use, exhibition or other means	
"P" document published prior to the international filing date but later than the priority date claimed	

Date of the actual completion of the international search

16 September 2011 (16.09.2011)

Date of mailing of the international search report

28 SEP 2011

Name and mailing address of the ISA/US

Mail Stop PCT, Attn: ISA/US, Commissioner for Patents
P.O. Box 1450, Alexandria, Virginia 22313-1450
Facsimile No. 571-273-3201

Authorized officer:

Lee W. Young

PCT Helpdesk: 571-272-4300
PCT OSP: 571-272-7774

INTERNATIONAL SEARCH REPORT

International application No.

PCT/US 10/60321

C (Continuation). DOCUMENTS CONSIDERED TO BE RELEVANT

Category*	Citation of document, with indication, where appropriate, of the relevant passages	Relevant to claim No.
A	US 6,211,524 B1 (VARDENY et al.) 3 April 2001 (03.04.2001) Fig. 13	1-40
A	US 6,230,545 B1 (ADOLPH et al.) 15 May 2001 (15.05.2001) col 6, ln 50-60	1-40
A	US 6,635,415 B1 (BOLLINGER et al.) 21 October 2003 (21.10.2003) Fig. 3	1-40
A	US 6,096,557 A (TANAKA et al.) 1 August 2000 (01.08.2000) col 8+	1-40
A	US 6,266,998 B1 (HACKENBERG) 31 July 2001 (31.07.2001) Fig. 2a	1-40
A	US 5,411,709 A (FURUKI et al.) 2 May 1995 (02.05.1995) Fig. 9, col 10	1-40