



US00D664200S

(12) **United States Design Patent**  
**Lau**

(10) **Patent No.:** **US D664,200 S**  
(45) **Date of Patent:** **\*\* \*Jul. 24, 2012**

(54) **NOTE AND CLIP**

(76) Inventor: **Janet K. Lau**, Union City, CA (US)

(\*) Notice: This patent is subject to a terminal disclaimer.

(\*\*) Term: **14 Years**

(21) Appl. No.: **29/369,812**

(22) Filed: **Sep. 13, 2010**

(51) **LOC (9) Cl.** ..... **19-02**

(52) **U.S. Cl.** ..... **D19/65**

(58) **Field of Classification Search** ..... D8/394,  
D8/395; D19/1, 2, 65, 86, 99, 100; D20/22,  
D20/27, 43; 24/67 R, 67.3, 67.5, 67.7, 67.9,  
24/67.11, 546, 547, DIG. 8, DIG. 9; 40/300,  
40/359, 658, 666

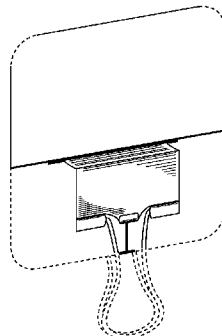
See application file for complete search history.

(56) **References Cited**

**U.S. PATENT DOCUMENTS**

332,327 A	12/1885	Clark	
863,265 A	8/1907	Crouse	
876,252 A	1/1908	Baker	
962,397 A	6/1910	Whitmore	
1,052,505 A	2/1913	Munger et al.	
1,123,008 A	12/1914	Rice	
1,139,627 A	5/1915	Baltzley	
1,158,940 A	11/1915	Litt et al.	
1,178,113 A	4/1916	Turton et al.	
D50,594 S	4/1917	Voges	
1,345,365 A	7/1920	Hutchison	
1,465,576 A	8/1923	Biggs	
1,501,067 A	7/1924	Schaffert	
1,524,478 A	1/1925	Hunter	
1,587,335 A	6/1926	Kline	
1,661,165 A	3/1928	Cameron	
1,778,031 A	10/1930	Kinch	
1,802,980 A	4/1931	Marsh	
1,826,580 A	10/1931	Spinney	
1,840,604 A	1/1932	Randall	
1,865,453 A *	7/1932	Baltzley	24/545
1,888,704 A *	11/1932	Swett	40/662
1,894,906 A	1/1933	Henry	
1,914,671 A	6/1933	O'Neil	

1,976,465 A	10/1934	Thomson	
1,977,096 A	10/1934	Straubel	
1,985,866 A	12/1934	Lankenau	
1,997,894 A	4/1935	Woodley	
2,008,019 A	7/1935	Horlick, Jr.	
D104,956 S	6/1937	Baker	
2,118,043 A	5/1938	Goza	
2,156,743 A	5/1939	Skrebba	
2,323,552 A	7/1943	Marion	
D136,639 S	11/1943	Hoffman	
2,362,445 A	11/1944	Blodgett	
2,415,248 A	2/1947	Kenna et al.	
2,420,021 A	5/1947	Straubel	
2,623,311 A	12/1952	Condon	
2,695,026 A	11/1954	Broneer	
3,073,046 A	1/1963	Condon	
3,107,673 A *	10/1963	Haddad	402/79
3,123,924 A	3/1964	Roberts	
3,225,469 A	12/1965	Chase	
3,247,602 A	4/1966	Hamilton et al.	
3,290,810 A	12/1966	Morena	
3,301,264 A *	1/1967	Usoskin	402/70
3,360,877 A	1/1968	Estep	
3,934,368 A	1/1976	Fearing	
D241,342 S	9/1976	Carroll	
D268,848 S	5/1983	Lorber	
4,384,417 A	5/1983	Thompson	
4,425,724 A	1/1984	Scott	
4,532,680 A *	8/1985	Hashimoto	24/67 R
4,646,455 A	3/1987	Gardner	
4,691,458 A	9/1987	Scott	
D295,540 S	5/1988	Rabig	
4,761,862 A *	8/1988	Hikomori	24/67.9
D299,571 S	1/1989	Fearing	
4,878,302 A	11/1989	Kiera	
4,951,408 A	8/1990	Banks	
D314,012 S	1/1991	Klodt	
D327,183 S	6/1992	Meyer	
5,199,203 A	4/1993	Jones	
5,481,784 A	1/1996	Sinaiko	
D368,487 S *	4/1996	Lindberg	D19/1
5,533,236 A *	7/1996	Tseng	24/67.5
D372,498 S *	8/1996	Sato	D19/65
5,619,789 A *	4/1997	Chung	29/814
5,638,583 A *	6/1997	Tseng	24/67.5
D382,405 S	8/1997	Ohayon	
D383,789 S	9/1997	Shyu	
5,695,219 A	12/1997	Crawford	
5,896,624 A *	4/1999	Horswell	24/67.5
D409,245 S	5/1999	Wolff	
5,950,283 A *	9/1999	Sato	24/67 R
D416,040 S	11/1999	Kasom et al.	
D416,584 S *	11/1999	Ho	D19/78



5,996,130	A	12/1999	Verhines	
6,197,396	B1 *	3/2001	Haas et al.	428/40.1
6,327,749	B1 *	12/2001	Antonone	24/67 R
6,363,941	B1 *	4/2002	Combs	131/190
6,374,463	B1 *	4/2002	Kaufman	24/67.5
D465,525	S	11/2002	Dilday	
D468,355	S *	1/2003	Danella et al.	D19/65
D476,172	S	6/2003	Bourne, Sr.	
D478,122	S *	8/2003	Haas	D19/2
D479,560	S *	9/2003	Deaton, Sr.	D20/19
D485,780	S *	1/2004	Thomson	D11/78.1
D488,835	S *	4/2004	Haruhiro	D19/90
7,005,170	B1 *	2/2006	Simpson et al.	428/40.1
7,040,051	B2 *	5/2006	Windorski	40/641
7,120,969	B2 *	10/2006	Carls	24/67.3
7,225,570	B2 *	6/2007	Windorski	40/641
7,318,293	B2 *	1/2008	Ardern, II	40/666
D565,109	S *	3/2008	Lau	D19/65
D565,112	S *	3/2008	Lau	D19/65
D566,184	S *	4/2008	Lau	D19/65
D580,982	S *	11/2008	Lau	D19/65
D616,294	S *	5/2010	Britt et al.	D9/414
D616,736	S *	6/2010	Britt et al.	D9/415
7,730,593	B1 *	6/2010	Juilly	24/67.5
D642,623	S *	8/2011	Turner et al.	D20/40
7,992,260	B1 *	8/2011	Juilly	24/67.5
2001/0032376	A1 *	10/2001	Payne	24/67.5
2003/0115722	A1 *	6/2003	Shogbamimu et al.	24/67 R
2005/0060923	A1 *	3/2005	Ardern, II	40/658
2005/0217078	A1	10/2005	Groch et al.	
2006/0000133	A1	1/2006	Windorski	
2006/0130288	A1 *	6/2006	Carls	24/67.3
2007/0209264	A1	9/2007	Lau	
2010/0313393	A1 *	12/2010	Kim et al.	24/67 R

FOREIGN PATENT DOCUMENTS

JP	09-071065	A	3/1997
JP	2001-353992	A	12/2001

\* cited by examiner

Primary Examiner — Elizabeth Albert  
(74) Attorney, Agent, or Firm — Aka Chan LLP

(57) CLAIM

The ornamental design for a note and clip, as shown and described.

DESCRIPTION

FIG. 1 shows a perspective view of a first embodiment of a design of a note and clip.  
 FIG. 2 shows the right-side view of FIG. 1. A left-side view is a mirror image of the right-side view.  
 FIG. 3 shows another perspective view of FIG. 1.  
 FIG. 4 shows a front view of FIG. 1. A back view is a mirror image of the front view.  
 FIG. 5 shows a right-side view of FIG. 1. A left-side view is a mirror image of the right-side view.  
 FIG. 6 shows a back view of FIG. 1. A front view is a mirror image of the back view.  
 FIG. 7 shows a top view of FIG. 1.  
 FIG. 8 shows a bottom view of FIG. 1.  
 FIG. 9 shows another perspective view of FIG. 1.  
 FIG. 10 shows a front view of FIG. 1. A back view of this embodiment is a mirror image of the front view.  
 FIG. 11 shows a right-side view of FIG. 1. A left-side view of this embodiment is a mirror image of the right-side view.  
 FIG. 12 shows a perspective view of a second embodiment of design of a note and clip.  
 FIG. 13 shows a right-side view of FIG. 12. A left-side view of this embodiment is a mirror image of the right-side view.  
 FIG. 14 shows another perspective view of FIG. 12.

FIG. 15 shows a front view of FIG. 12.  
 FIG. 16 shows a right-side view of FIG. 12. A left-side view of this embodiment is a mirror image of the right-side view.  
 FIG. 17 shows a back view of FIG. 12. A front view of this embodiment is a mirror image of the back view.  
 FIG. 18 shows a top view of FIG. 12.  
 FIG. 19 shows a bottom view of FIG. 12.  
 FIG. 20 shows another perspective view of FIG. 12.  
 FIG. 21 shows a front view of FIG. 12. A back view of this embodiment is a mirror image of the front view.  
 FIG. 22 shows a right-side view of FIG. 12. A left-side view of this embodiment is a mirror image of the right-side view.  
 FIG. 23 shows a perspective view of a third embodiment of a design of a note and clip.  
 FIG. 24 shows a right-side view of FIG. 23. A left-side view of this embodiment is a mirror image of the right-side view.  
 FIG. 25 shows another perspective view of FIG. 23.  
 FIG. 26 shows a front view of FIG. 23. A back view of this embodiment is a mirror image of the front view.  
 FIG. 27 shows a right-side view of FIG. 23. A left-side view of this embodiment is a mirror image of the right-side view.  
 FIG. 28 shows a back view of FIG. 23. A front view of this embodiment is a mirror image of the back view.  
 FIG. 29 shows a top view of FIG. 23.  
 FIG. 30 shows a bottom view of FIG. 23.  
 FIG. 31 shows another perspective view of FIG. 23.  
 FIG. 32 shows a front view of FIG. 23. A back view of this embodiment is a mirror image of the front view.  
 FIG. 33 shows a right-side view of FIG. 23. A left-side view of this embodiment is a mirror image of the right-side view.  
 FIG. 34 shows a perspective view of a fourth embodiment of a design of a note and clip.  
 FIG. 35 shows a right-side view of FIG. 34. A left-side view of this embodiment is a mirror image of the left-side view.  
 FIG. 36 shows another perspective view of FIG. 34.  
 FIG. 37 shows a front view of FIG. 34. A back view of this embodiment is a mirror image of the front view.  
 FIG. 38 shows a right-side view of FIG. 34. A left-side view of this embodiment is a mirror image of the right-side view.  
 FIG. 39 shows a front view of FIG. 34. A back view of this embodiment is a mirror image of the front view.  
 FIG. 40 shows a top view of FIG. 34.  
 FIG. 41 shows a bottom view of FIG. 34.  
 FIG. 42 shows another perspective view of FIG. 34.  
 FIG. 43 shows a front view of FIG. 34. A back view of this embodiment is a mirror image of the front view.  
 FIG. 44 shows a right-side view of FIG. 34. A left-side view of this embodiment is a mirror image of the right-side view.  
 FIG. 45 shows a perspective view of a fifth embodiment of a design of a note and clip.  
 FIG. 46 shows a right-side view of FIG. 45. A left-side view of this embodiment is a mirror image of the right-side view.  
 FIG. 47 shows another perspective view of FIG. 45.  
 FIG. 48 shows a front view of FIG. 45. A back view of this embodiment is a mirror image of the front view.  
 FIG. 49 shows a right-side view of FIG. 45. A left-side view of this embodiment is a mirror image of the right-side view.  
 FIG. 50 shows a front view of FIG. 45. A back view of this embodiment is a mirror image of the front view.  
 FIG. 51 shows a top view of FIG. 45.  
 FIG. 52 shows a bottom view of FIG. 45.  
 FIG. 53 shows another perspective view of FIG. 45.  
 FIG. 54 shows a front view of FIG. 45. A back view of this embodiment is a mirror image of the front view.

FIG. 55 shows a right-side view of FIG. 45. A left-side view of this embodiment is a mirror image of the right-side view. FIG. 56 shows a perspective view of a sixth embodiment of a design of a note and clip. FIG. 57 shows a right-side view of FIG. 56. A left-side view of this embodiment is a mirror image of the right-side view. FIG. 58 shows another perspective view of FIG. 56. FIG. 59 shows a front view of FIG. 56. A back view of this embodiment is a mirror image of the front view. FIG. 60 shows a right-side view of FIG. 56. A left-side view of this embodiment is a mirror image of the right-side view. FIG. 61 shows a front view of FIG. 56. A back view of this embodiment is a mirror image of the front view.

FIG. 62 shows a top view of FIG. 56. FIG. 63 shows a bottom view of FIG. 56. FIG. 64 shows another perspective view of FIG. 56. FIG. 65 shows a front view of FIG. 56. A back view of this embodiment is a mirror image of the front view; and, FIG. 66 shows a right-side view of the FIG. 56. A left-side view of this embodiment is a mirror image of the right-side view. The surfaces of the note are entirely unclaimed except for the edge lines and the central vertical line that are shown as solid lines. The broken-line features in the figures are for illustrative purposes only and form no part of the claimed design.

**1 Claim, 12 Drawing Sheets**

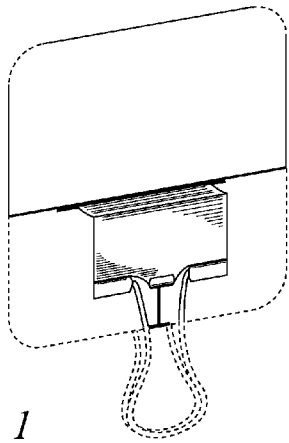


FIG. 1

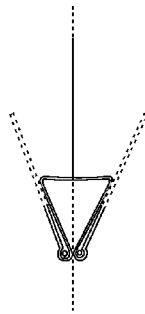


FIG. 2

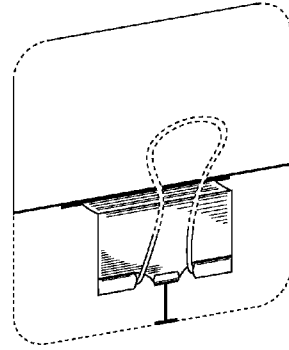


FIG. 3

FIG. 7

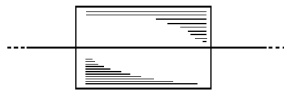


FIG. 8

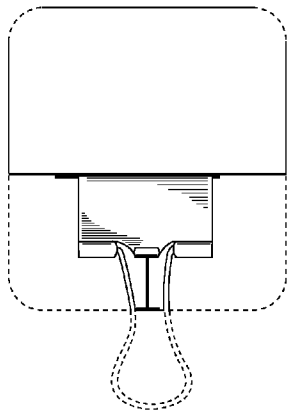


FIG. 4

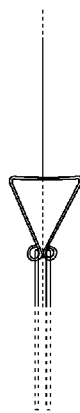


FIG. 5

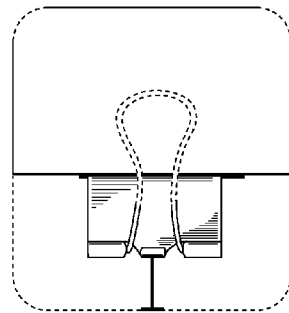
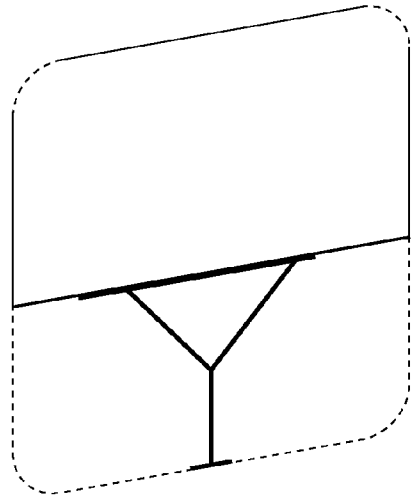
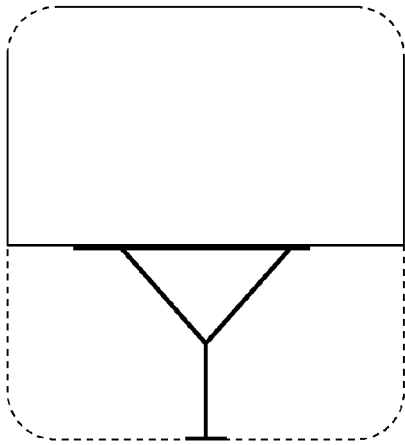


FIG. 6



*FIG. 9*



*FIG. 10*



*FIG. 11*

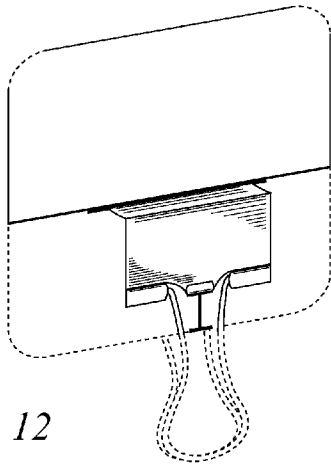


FIG. 12

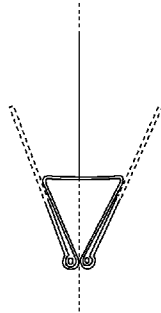


FIG. 13

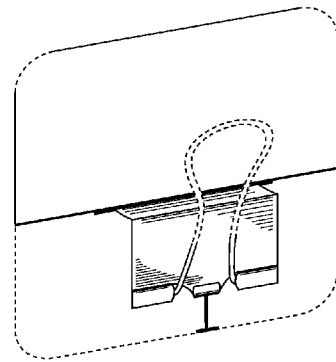


FIG. 14

FIG. 18

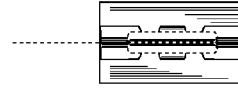


FIG. 19

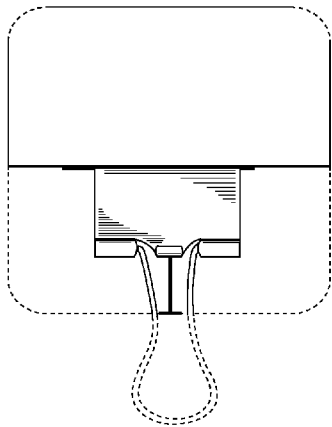


FIG. 15

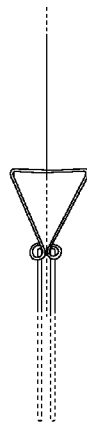


FIG. 16

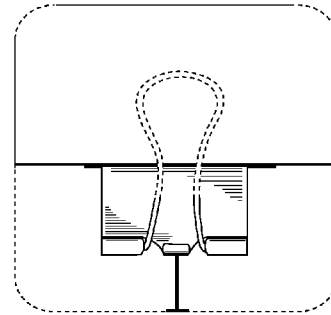
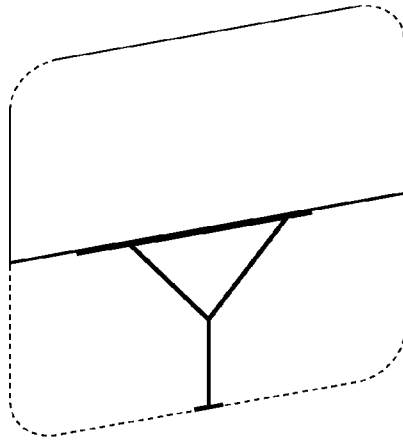
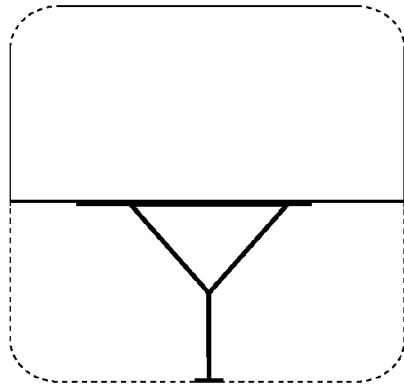


FIG. 17



*FIG. 20*



*FIG. 21*



*FIG. 22*

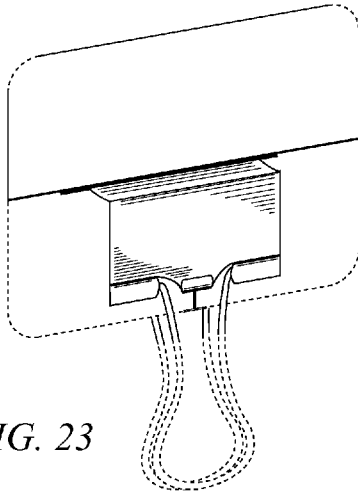


FIG. 23

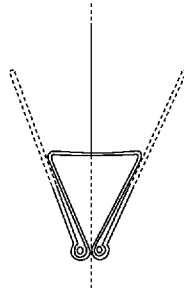


FIG. 24

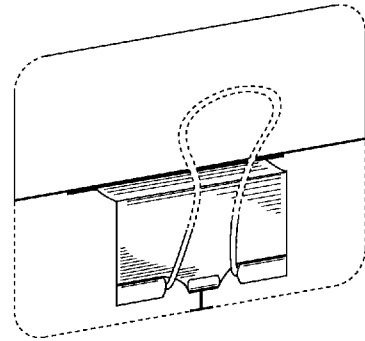


FIG. 25

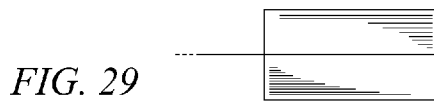


FIG. 29

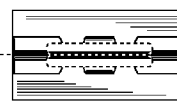


FIG. 30

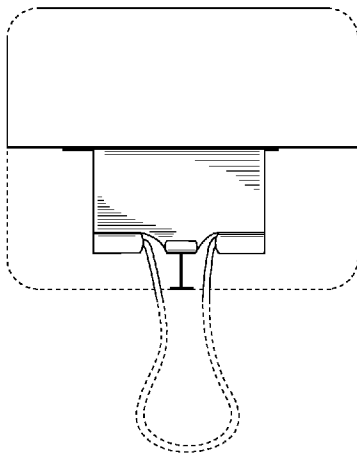


FIG. 26

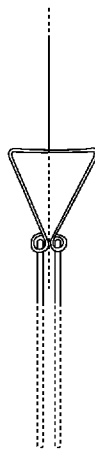


FIG. 27

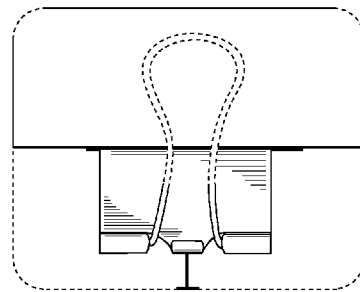
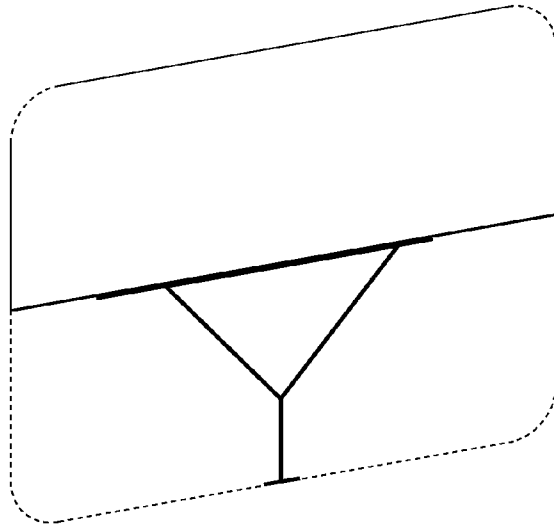
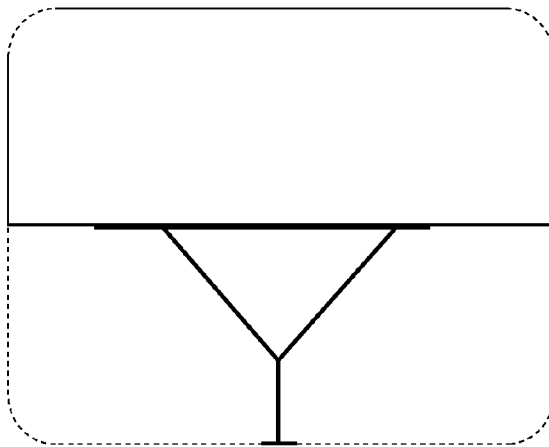


FIG. 28





*FIG. 31*



*FIG. 32*



*FIG. 33*

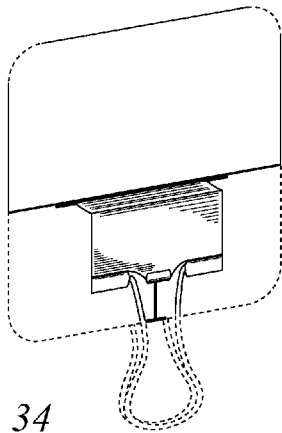


FIG. 34

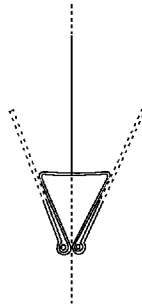


FIG. 35

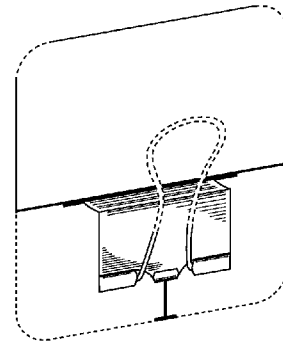


FIG. 36

FIG. 40

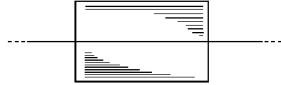


FIG. 41

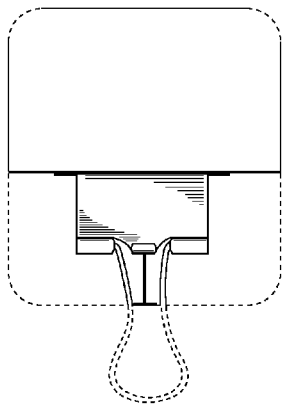


FIG. 37

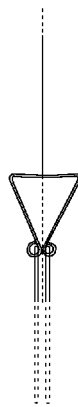


FIG. 38

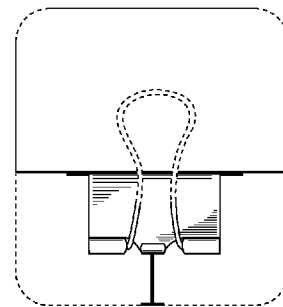


FIG. 39

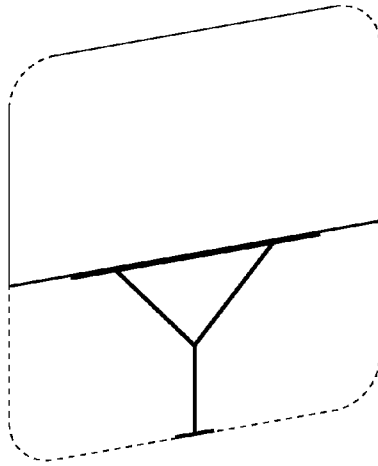


FIG. 42

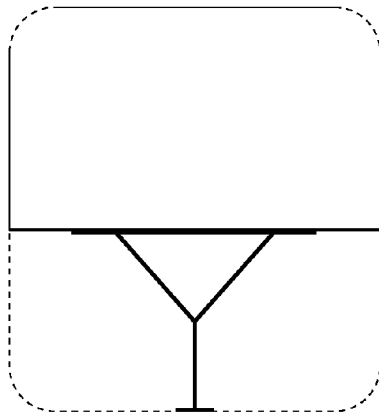


FIG. 43



FIG. 44

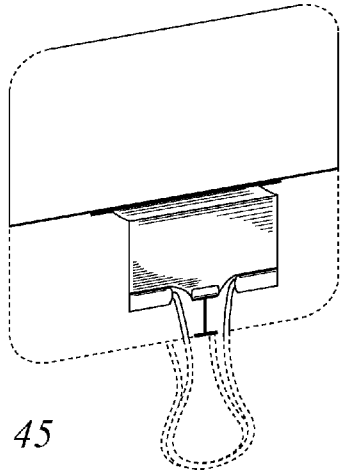


FIG. 45

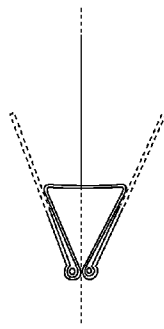


FIG. 46

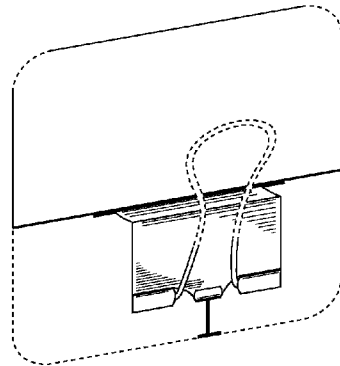


FIG. 47

FIG. 51

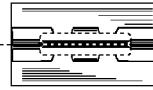
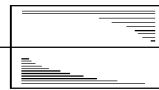


FIG. 52

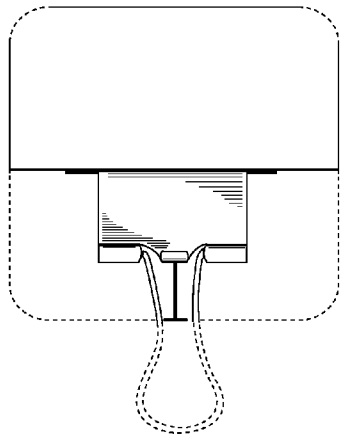


FIG. 48

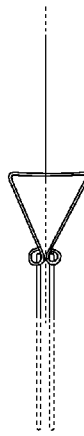


FIG. 49

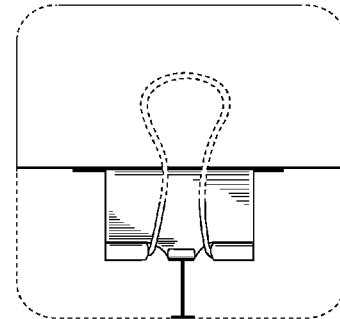
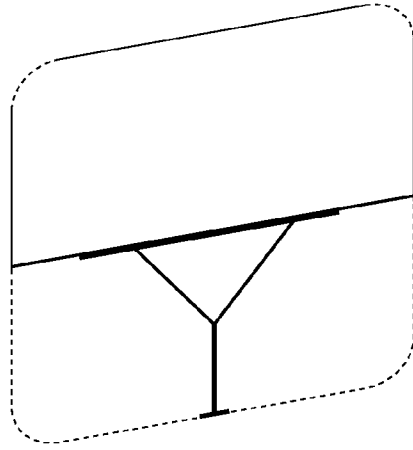
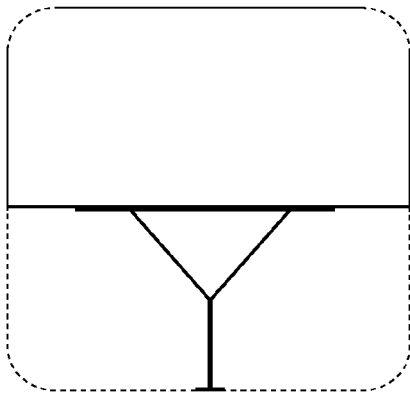


FIG. 50



*FIG. 53*



*FIG. 54*



*FIG. 55*

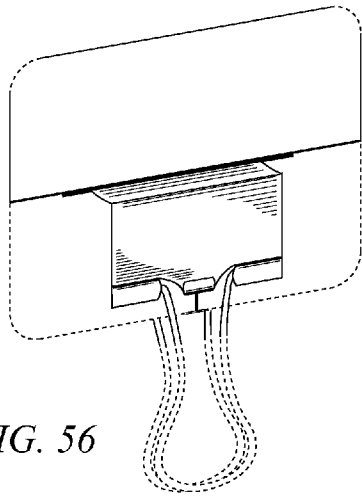


FIG. 56

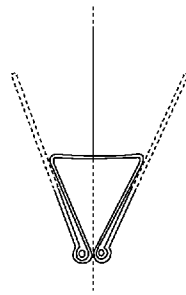


FIG. 57

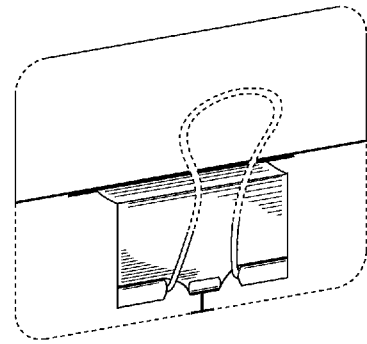


FIG. 58



FIG. 62

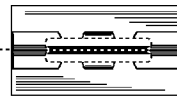


FIG. 63

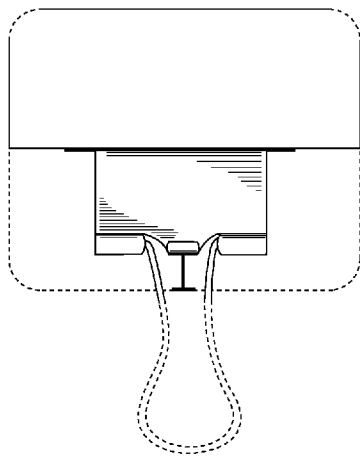


FIG. 59

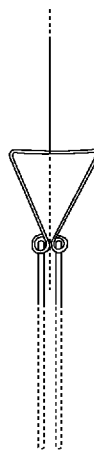


FIG. 60

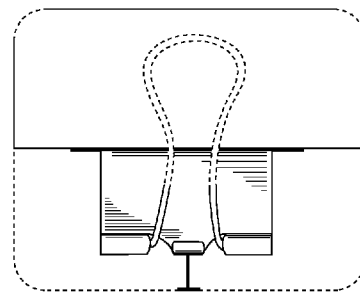
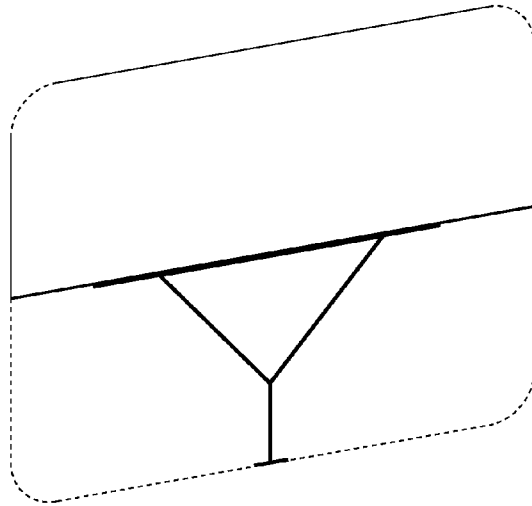
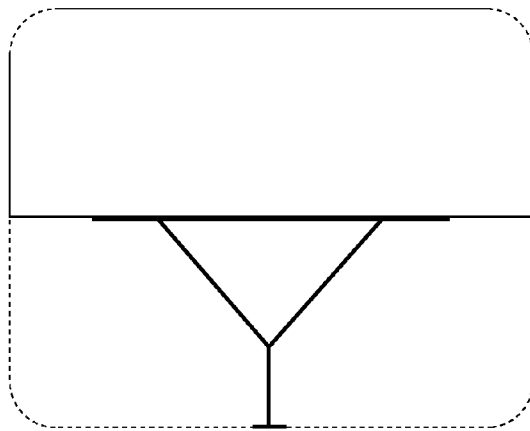


FIG. 61



*FIG. 64*



*FIG. 65*



*FIG. 66*