



- (51) **International Patent Classification:**
F28D 20/02 (2006.01) F24D 11/00 (2006.01)
F28D 20/00 (2006.01)
- (21) **International Application Number:**
PCT/US2010/049406
- (22) **International Filing Date:**
17 September 2010 (17.09.2010)
- (25) **Filing Language:** English
- (26) **Publication Language:** English
- (30) **Priority Data:**
61/276,885 17 September 2009 (17.09.2009) US
- (72) **Inventors; and**
- (71) **Applicants :** XIANG, XiaoDong [US/US]; 1036 Mc-Cauley Road, Danville, CA 94526 (US). ZHANG, Rong [US/US]; 22851 Stonebridge Street, Cupertino, CA 95014 (US).
- (74) **Agent:** HUNTER, Tom; WEAVER AUSTIN VIL-LENEUVE & SAMPSON LLP, P.O. Box 70250, Oakland, California 94612-0250 (US).
- (81) **Designated States** (unless otherwise indicated, for every kind of national protection available): AE, AG, AL, AM, AO, AT, AU, AZ, BA, BB, BG, BH, BR, BW, BY, BZ, CA, CH, CL, CN, CO, CR, CU, CZ, DE, DK, DM, DO,

DZ, EC, EE, EG, ES, FI, GB, GD, GE, GH, GM, GT, HN, HR, HU, ID, IL, IN, IS, JP, KE, KG, KM, KN, KP, KR, KZ, LA, LC, LK, LR, LS, LT, LU, LY, MA, MD, ME, MG, MK, MN, MW, MX, MY, MZ, NA, NG, NI, NO, NZ, OM, PE, PG, PH, PL, PT, RO, RS, RU, SC, SD, SE, SG, SK, SL, SM, ST, SV, SY, TH, TJ, TM, TN, TR, TT, TZ, UA, UG, US, UZ, VC, VN, ZA, ZM, ZW.

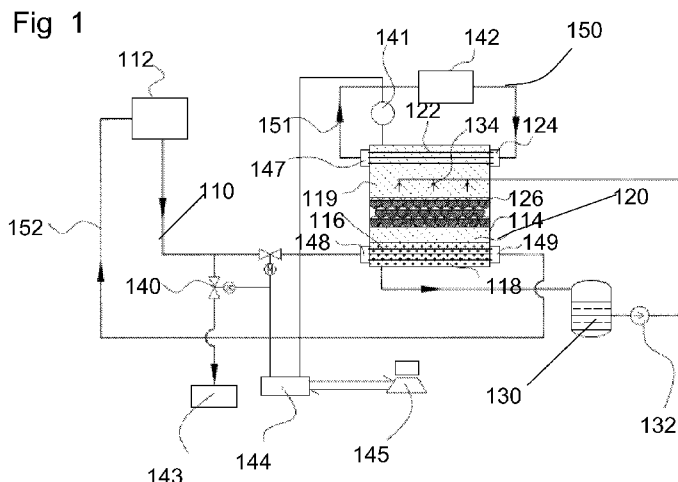
(84) **Designated States** (unless otherwise indicated, for every kind of regional protection available): ARIPO (BW, GH, GM, KE, LR, LS, MW, MZ, NA, SD, SL, SZ, TZ, UG, ZM, ZW), Eurasian (AM, AZ, BY, KG, KZ, MD, RU, TJ, TM), European (AL, AT, BE, BG, CH, CY, CZ, DE, DK, EE, ES, FI, FR, GB, GR, HR, HU, IE, IS, IT, LT, LU, LV, MC, MK, MT, NL, NO, PL, PT, RO, SE, SI, SK, SM, TR), OAPI (BF, BJ, CF, CG, CI, CM, GA, GN, GQ, GW, ML, MR, NE, SN, TD, TG).

Published:

- with international search report (Art. 21(3))
- before the expiration of the time limit for amending the claims and to be republished in the event of receipt of amendments (Rule 48.2(h))

(88) **Date of publication of the international search report:**
18 August 2011

(54) **Title:** SYSTEMS AND METHODS OF THERMAL TRANSFER AND/OR STORAGE



(57) **Abstract:** Systems, methods, and computer-implemented embodiments consistent with the inventions herein are directed to storing and/or transferring heat. In one exemplary implementation, there is provided a system for transferring/storing heat comprised of a heat exchange/storage apparatus including a chamber, and a heat input device adapted to heat/provide a vapor into the chamber. Other exemplary implementations may include one or more features consistent with a heat output device through which a working medium/fluid passes, a thermal storage medium located within the chamber, and/or a heat exchange system that delivers a heat exchange medium/fluid to the thermal storage medium.

WO 2011/035213 A3

INTERNATIONAL SEARCH REPORT

International application No.
PCT/US2010/049406**A. CLASSIFICATION OF SUBJECT MATTER***F28D 20/02(2006.01)i, F28D 20/00(2006.01)i, F24D 11/00(2006.01)i*

According to International Patent Classification (IPC) or to both national classification and IPC

B. FIELDS SEARCHED

Minimum documentation searched (classification system followed by classification symbols)

F28D 20/02; F28D 20/00; B60H 1/02; F28F 27/02; E01C 19/45

Documentation searched other than minimum documentation to the extent that such documents are included in the fields searched

Korean utility models and applications for utility models
Japanese utility models and applications for utility models

Electronic data base consulted during the international search (name of data base and, where practicable, search terms used)

eKOMPASS(KIPO internal) & Keywords: transfer, store & chamber

C. DOCUMENTS CONSIDERED TO BE RELEVANT

Category*	Citation of document, with indication, where appropriate, of the relevant passages	Relevant to claim No.
A	US 2002-0108745 A1 (SHIGEAKI KIMURA) 15 August 2002 See claims 1-13 and figure 1.	1-144
A	US 04821794 A (TSAI; ALBERT G. et al.) 18 April 1989 See claims 1-26 and figure 1.	1-144
A	US 05038850 A (CHOI; YOUNG T.) 13 August 1991 See claims 1-9 and figure 1.	1-144
A	US 05409676 A (NASAKO; KENJI et al.) 25 April 1995 See claims 1-14 and figure 1.	1-144

 Further documents are listed in the continuation of Box C. See patent family annex.

* Special categories of cited documents:

"A" document defining the general state of the art which is not considered to be of particular relevance

"E" earlier application or patent but published on or after the international filing date

"L" document which may throw doubts on priority claim(s) or which is cited to establish the publication date of citation or other special reason (as specified)

"O" document referring to an oral disclosure, use, exhibition or other means

"P" document published prior to the international filing date but later than the priority date claimed

"T" later document published after the international filing date or priority date and not in conflict with the application but cited to understand the principle or theory underlying the invention

"X" document of particular relevance; the claimed invention cannot be considered novel or cannot be considered to involve an inventive step when the document is taken alone

"Y" document of particular relevance; the claimed invention cannot be considered to involve an inventive step when the document is combined with one or more other such documents, such combination being obvious to a person skilled in the art

"&" document member of the same patent family

Date of the actual completion of the international search

27 JUNE 2011 (27.06.2011)

Date of mailing of the international search report

28 JUNE 2011 (28.06.2011)

Name and mailing address of the ISA/KR

Korean Intellectual Property Office
Government Complex-Daejeon, 189 Cheongsu-ro,
Seo-gu, Daejeon 302-701, Republic of Korea

Facsimile No. 82-42-472-7140

Authorized officer

PARK, Hwan Su

Telephone No. 82-42-481-5418



INTERNATIONAL SEARCH REPORT

Information on patent family members

International application No.

PCT/US2010/049406

Patent document cited in search report	Publication date	Patent family member(s)	Publication date
US 2002-0108745 A1	15.08.2002	JP 2000-205044 A US 2002-108745 A1	25.07.2000 15.08.2002
US 04821794A A	18.04.1989	None	
US 05038850A A	13.08.1991	JP 06-100351 B2 KR 10-1992-0003697 B1	12.12.1994 09.05.1992
US 05409676A A	25.04.1995	JP 03-407913 B2 JP 06-201283 A	14.03.2003 19.07.1994