

(19) World Intellectual Property Organization
International Bureau



(43) International Publication Date
15 November 2007 (15.11.2007)

PCT

(10) International Publication Number
WO 2007/131169 A3

(51) International Patent Classification:
G08B 23/00 (2006.01)

(74) Agent: SUNTHARAM, Khannan; Winstead PC, P.O. Box 50784, Dallas, TX 75201 (US).

(21) International Application Number:
PCT/US2007/068242

(81) Designated States (unless otherwise indicated, for every kind of national protection available): AE, AG, AL, AM, AT, AU, AZ, BA, BB, BG, BH, BR, BW, BY, BZ, CA, CH, CN, CO, CR, CU, CZ, DE, DK, DM, DZ, EC, EE, EG, ES, FI, GB, GD, GE, GH, GM, GT, HN, HR, HU, ID, IL, IN, IS, JP, KE, KG, KM, KN, KP, KR, KZ, LA, LC, LK, LR, LS, LT, LU, LY, MA, MD, MG, MK, MN, MW, MX, MY, MZ, NA, NG, NI, NO, NZ, OM, PG, PH, PL, PT, RO, RS, RU, SC, SD, SE, SG, SK, SL, SM, SV, SY, TJ, TM, TN, TR, TT, TZ, UA, UG, US, UZ, VC, VN, ZA, ZM, ZW.

(22) International Filing Date: 4 May 2007 (04.05.2007)

(25) Filing Language: English

(26) Publication Language: English

(30) Priority Data:
60/797,540 4 May 2006 (04.05.2006) US

(84) Designated States (unless otherwise indicated, for every kind of regional protection available): ARIPO (BW, GH, GM, KE, LS, MW, MZ, NA, SD, SL, SZ, TZ, UG, ZM, ZW), Eurasian (AM, AZ, BY, KG, KZ, MD, RU, TJ, TM), European (AT, BE, BG, CH, CY, CZ, DE, DK, EE, ES, FI, FR, GB, GR, HU, IE, IS, IT, LT, LU, LV, MC, MT, NL, PL, PT, RO, SE, SI, SK, TR), OAPI (BF, BJ, CF, CG, CI, CM, GA, GN, GQ, GW, ML, MR, NE, SN, TD, TG).

(71) Applicant (for US only): CAPSTONE MOBILE TECHNOLOGIES, LLC [US/US]; 2201 Long Prairie, Suite 107, #102, Flower Mound, TX 75022 (US).

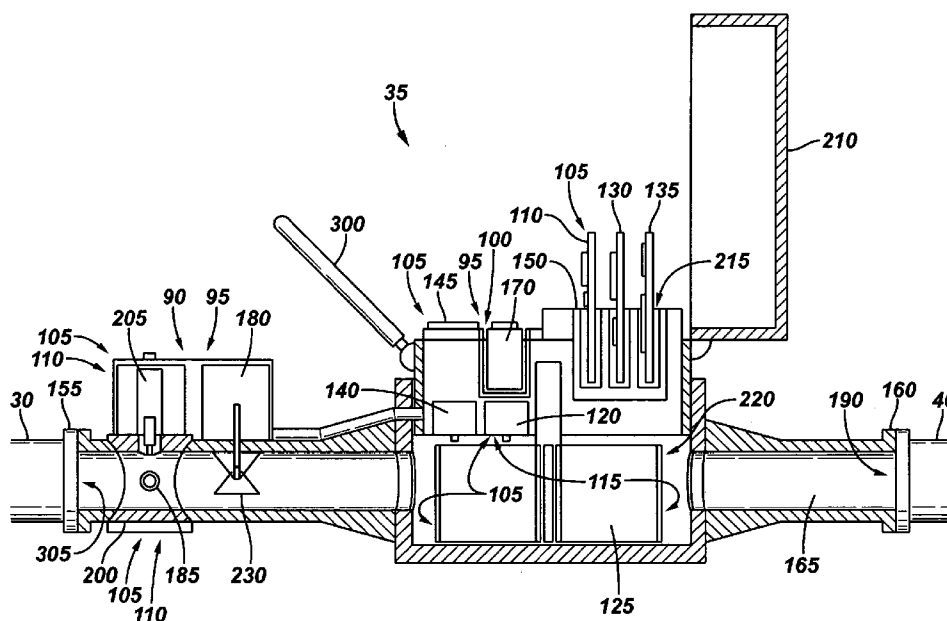
(72) Inventors; and

(75) Inventors/Applicants (for US only): WILLIAMSON, Walter, Scott [US/US]; 2221 Red Maple, Flower Mound, TX 75022 (US). WILLIAMSON, James, Scott [US/US]; 2221 Red Maple, Flower Mound, TX 75022 (US). WILLIAMSON, Jack, Ryan [US/US]; 2221 Red Maple, Flower Mound, TX 75022 (US).

Published:
— with international search report

(88) Date of publication of the international search report:
13 November 2008

(54) Title: SYSTEM AND METHOD FOR REMOTELY MONITORING AND CONTROLLING A WATER METER



(57) Abstract: A meter that monitors usage of a water in a distribution system by a client is shown in Figure 2. The meter (35) includes a wireless communications system (130) operable to communicatively couple the meter to a wireless network to provide two-way communication between the meter and the wireless network; a calibration system (185) operable to calibrate the meter, wherein the calibration system may calibrate the meter in response to an instruction received via the wireless network; and a power system operable to maintain a sufficient level of power for the meter to allow substantially real-time communication between the meter and the wireless network.

WO 2007/131169 A3

INTERNATIONAL SEARCH REPORT

International application No.

PCT/US07/68242

A. CLASSIFICATION OF SUBJECT MATTER
 IPC: **G08B 23/00(2006.01)**

 USPC: 340/870.02
 According to International Patent Classification (IPC) or to both national classification and IPC

B. FIELDS SEARCHED

Minimum documentation searched (classification system followed by classification symbols)
 U.S. : 340/870.02, 870.03; 702/100; 700/282; 705/412

Documentation searched other than minimum documentation to the extent that such documents are included in the fields searched

Electronic data base consulted during the international search (name of data base and, where practicable, search terms used)
 Please See Continuation Sheet

C. DOCUMENTS CONSIDERED TO BE RELEVANT

Category *	Citation of document, with indication, where appropriate, of the relevant passages	Relevant to claim No.
X --- Y	US 7,012,546 A (ZIGDON et al) 14 March 2006, entire document	8 and 14 ----- 1-7, 9-13, and 15-20
Y	US 6,947,854 A (SWARZTRAUBER et al) 20 September 2005, entire document	1-7, 9-13, and 15-20
A	US 6,778,099 A (MEYER et al) 17 August 2004, entire document	1-20

Further documents are listed in the continuation of Box C. See patent family annex.

* Special categories of cited documents:	"T"
"A" document defining the general state of the art which is not considered to be of particular relevance	later document published after the international filing date or priority date and not in conflict with the application but cited to understand the principle or theory underlying the invention
"E" earlier application or patent published on or after the international filing date	"X" document of particular relevance; the claimed invention cannot be considered novel or cannot be considered to involve an inventive step when the document is taken alone
"L" document which may throw doubts on priority claim(s) or which is cited to establish the publication date of another citation or other special reason (as specified)	"Y" document of particular relevance; the claimed invention cannot be considered to involve an inventive step when the document is combined with one or more other such documents, such combination being obvious to a person skilled in the art
"O" document referring to an oral disclosure, use, exhibition or other means	
"P" document published prior to the international filing date but later than the priority date claimed	"&" document member of the same patent family

Date of the actual completion of the international search: 24 June 2008 (24.06.2008) Date of mailing of the international search report: 28 JUL 2008

Name and mailing address of the ISA/US: Mail Stop PCT, Attn: ISA/US, Commissioner for Patents, P.O. Box 1450, Alexandria, Virginia 22313-1450, Facsimile No. (571) 273-3201
 Authorized officer: ALBERT K. WONG, Telephone No. 703-305-4700

INTERNATIONAL SEARCH REPORT

International application No.
PCT/US07/68242

Continuation of B. FIELDS SEARCHED Item 3:

EAST

search terms: calibrate, calibration, meter, wireless, network, automatic, command, shutoff, remote, cutoff, bill, billing, usage, monitor, drought, fine