



US00D740920S

(12) **United States Design Patent**  
**Nakamura**

(10) **Patent No.:** **US D740,920 S**

(45) **Date of Patent:** **\*\* Oct. 13, 2015**

(54) **PIPE FLANGE SEPARATOR**

(71) Applicant: **Rodney S. Nakamura**, Honolulu, HI  
(US)

(72) Inventor: **Rodney S. Nakamura**, Honolulu, HI  
(US)

(\*\*) Term: **14 Years**

(21) Appl. No.: **29/522,717**

(22) Filed: **Apr. 1, 2015**

D714,909 S *	10/2014	Boothe	.....	D23/233
D714,910 S *	10/2014	Roden	.....	D23/233
D715,405 S *	10/2014	McAlpine	.....	D23/233
D725,239 S *	3/2015	Nakamura	.....	D23/265
D727,473 S *	4/2015	Nakamura	.....	D23/265
2003/0230897 A1 *	12/2003	Lundstrom	.....	285/337
2004/0239114 A1 *	12/2004	Barron et al.	.....	285/337
2005/0224114 A1 *	10/2005	Cook et al.	.....	137/68.14
2005/0225087 A1 *	10/2005	McMahon et al.	.....	285/412
2006/0096641 A1 *	5/2006	Williams	.....	137/597
2009/0051090 A1 *	2/2009	Barnes, Jr.	.....	269/8
2009/0260216 A1 *	10/2009	Avnon	.....	29/525
2012/0192393 A1 *	8/2012	Sindelar	.....	29/237
2014/0101906 A1 *	4/2014	Nakamura	.....	29/237

\* cited by examiner

**Related U.S. Application Data**

(62) Division of application No. 29/434,648, filed on Oct. 15, 2012, now Pat. No. Des. 725,239.

(51) **LOC (10) Cl.** ..... **23-01**

(52) **U.S. Cl.**  
USPC ..... **D23/259**

(58) **Field of Classification Search**  
USPC ..... D23/259, 262, 263, 266  
CPC ..... Y10T 29/49826; Y10T 428/139;  
F16L 9/02; F16L 9/14  
See application file for complete search history.

**References Cited**

**U.S. PATENT DOCUMENTS**

3,419,290 A *	12/1968	Campbell et al.	.....	285/223
3,502,354 A *	3/1970	Walker	.....	285/24
4,106,322 A *	8/1978	Moshnin et al.	.....	72/356
6,112,968 A *	9/2000	Jin et al.	.....	227/2
6,419,279 B1 *	7/2002	Latham	.....	285/261
D583,832 S *	12/2008	Nimberger	.....	D15/5
D706,390 S *	6/2014	McLauchlan et al.	.....	D23/233
D706,394 S *	6/2014	Evans et al.	.....	D23/233
D712,513 S *	9/2014	Kainuma et al.	.....	D23/233

*Primary Examiner* — Cathron Brooks

*Assistant Examiner* — Daniel J Domino

(74) *Attorney, Agent, or Firm* — Martin E. Hsia; Keri Ann K. S. Krzykowski

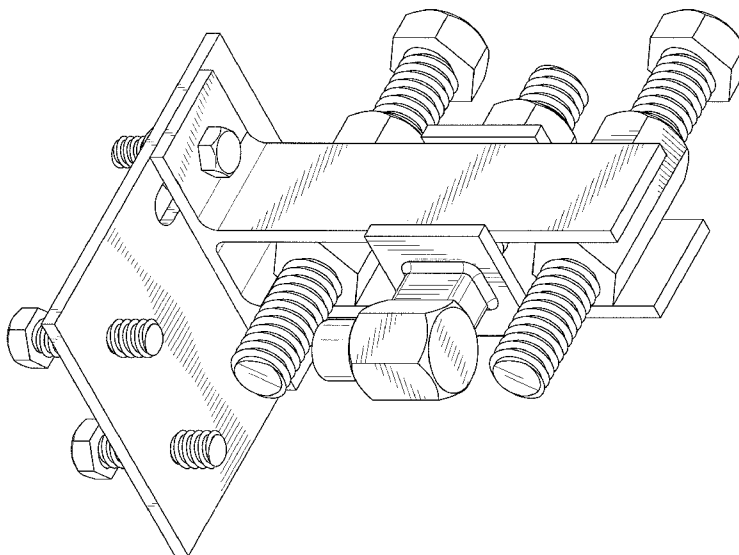
(57) **CLAIM**

The ornamental design for a pipe flange separator, as shown and described.

**DESCRIPTION**

FIG. 1 is a perspective view from the bottom, rear, right of a pipe flange separator of my new design;  
FIG. 2 is a bottom plan view thereof;  
FIG. 3 is a top plan view thereof;  
FIG. 4 is an elevational view thereof from the right;  
FIG. 5 is an elevational view thereof from the left;  
FIG. 6 is an elevational view thereof from the rear;  
FIG. 7 is an elevational view thereof from the front; and,  
FIG. 8 is an elevation view thereof from the right, the broken lines showing environment only that form no part of the claimed design.

**1 Claim, 8 Drawing Sheets**



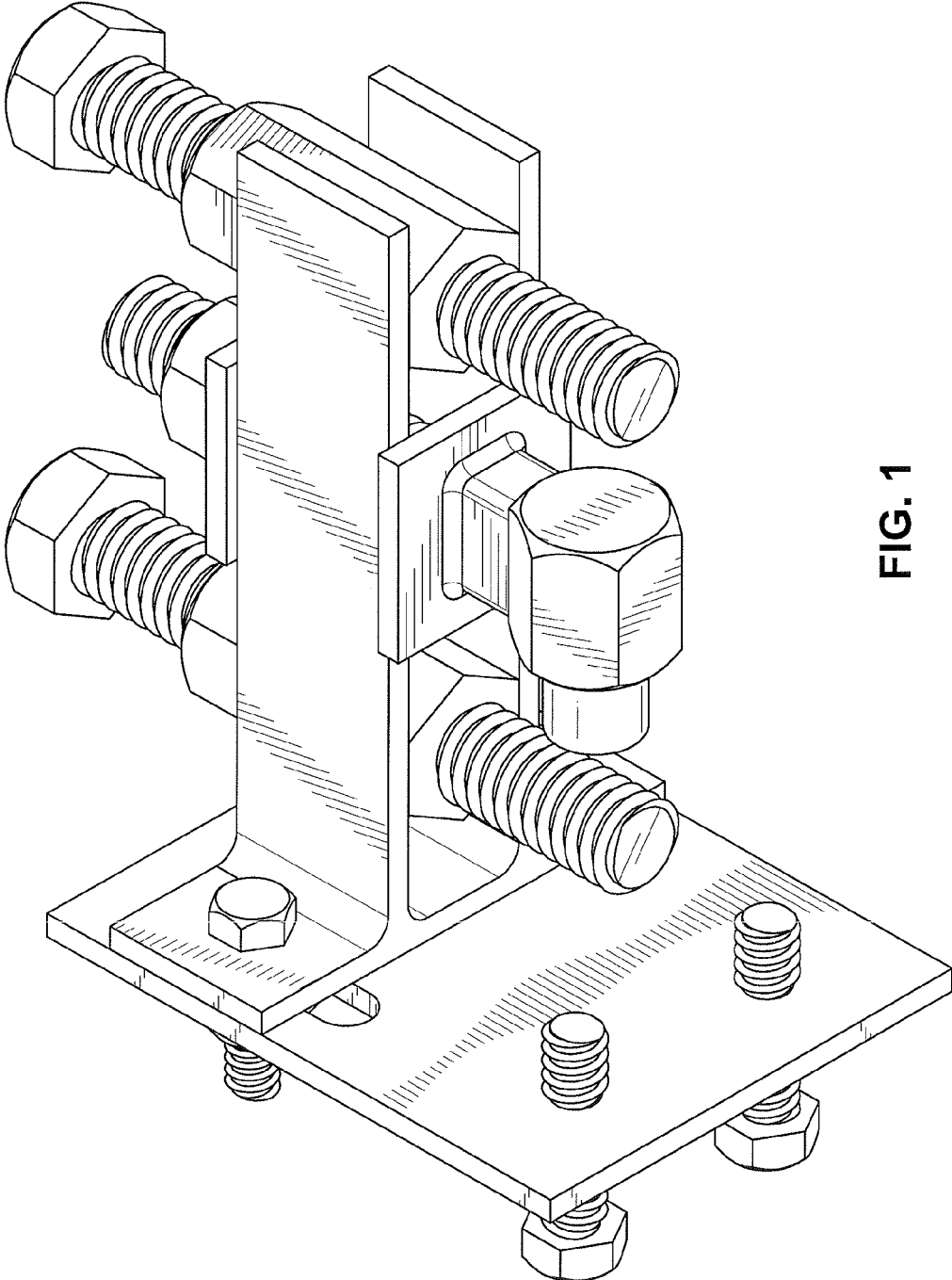


FIG. 1

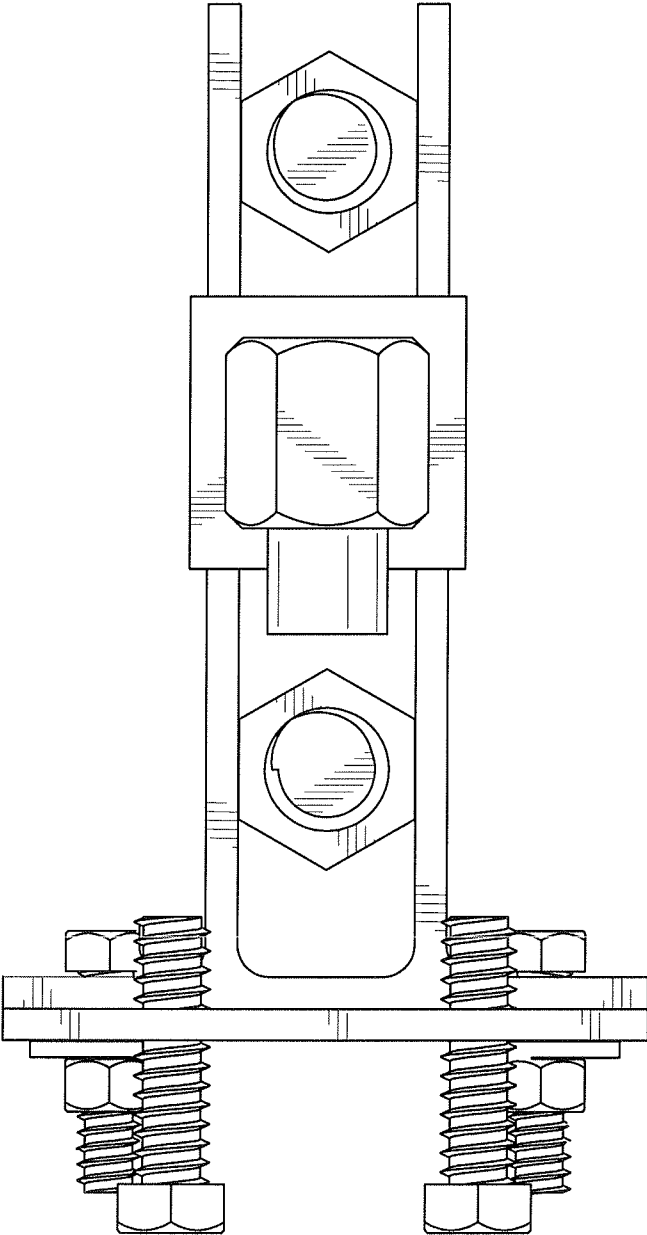


FIG. 2

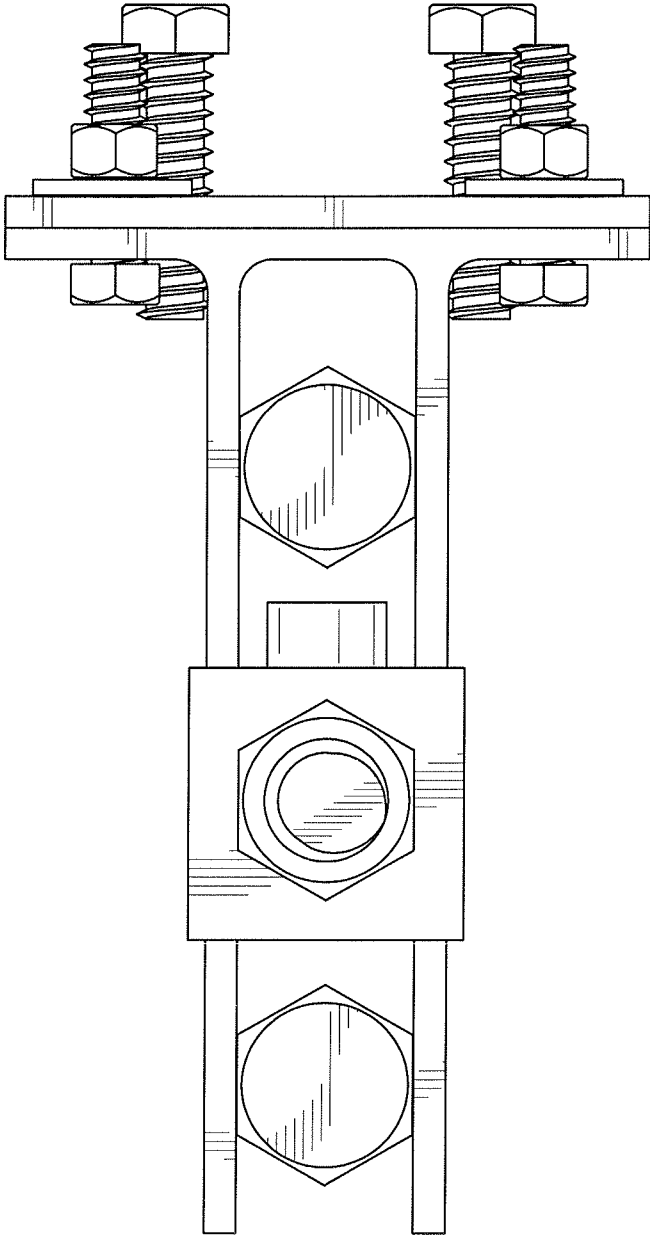


FIG. 3

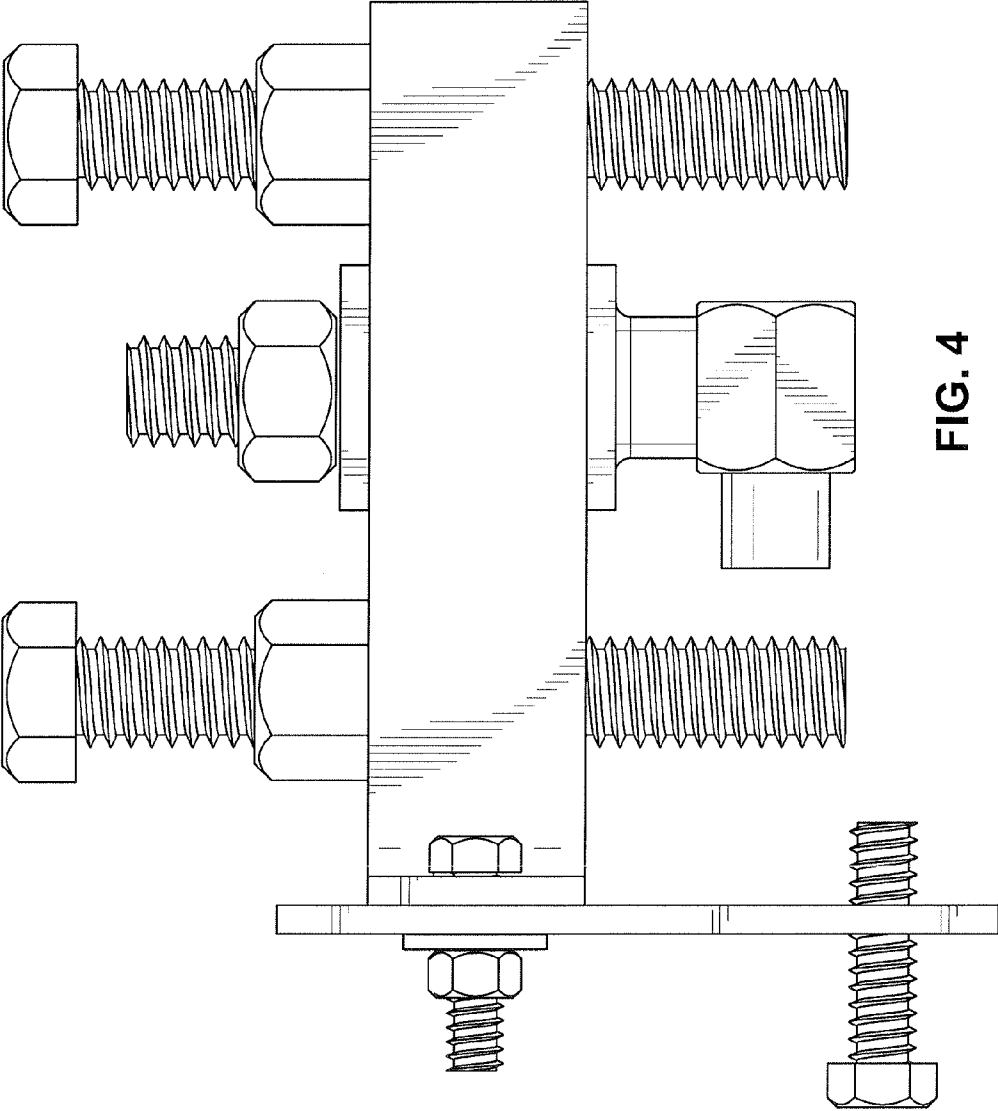


FIG. 4

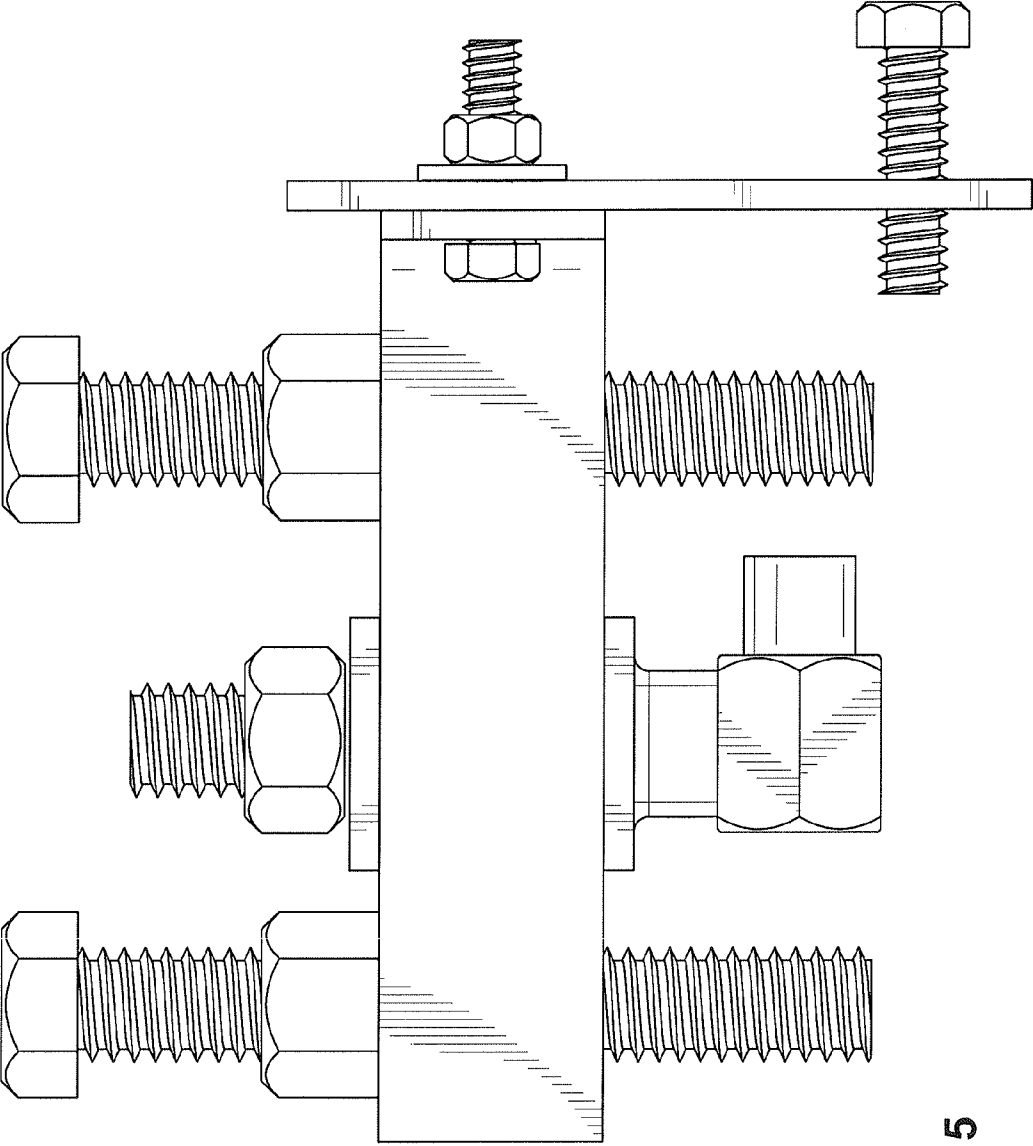


FIG. 5

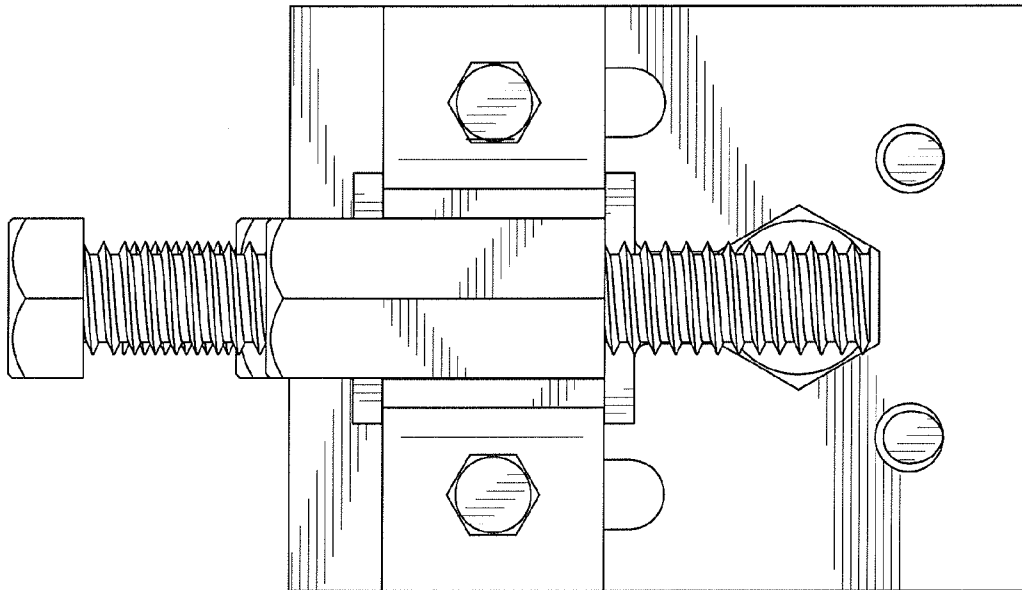


FIG. 6

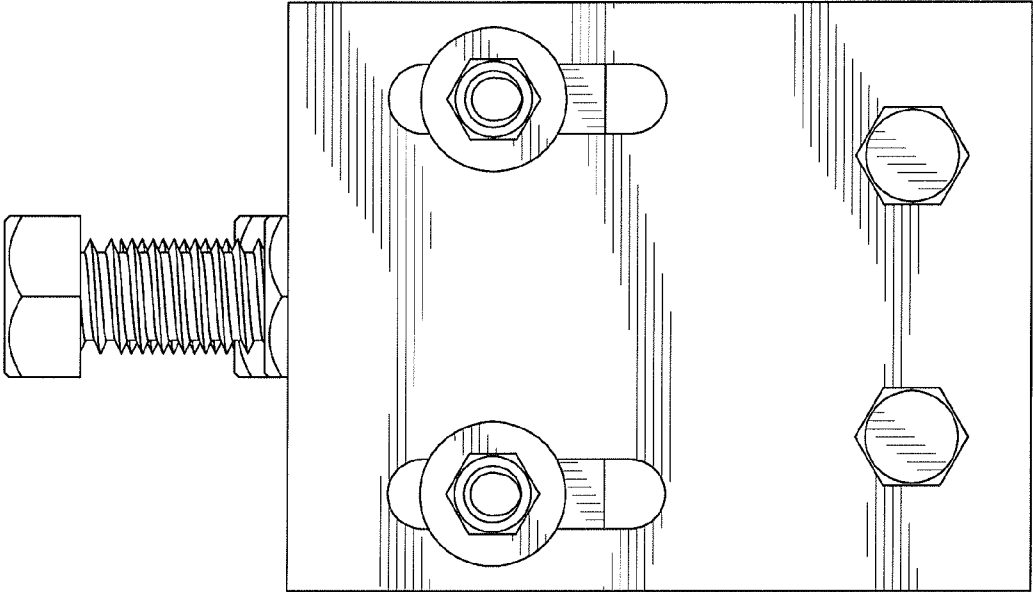


FIG. 7

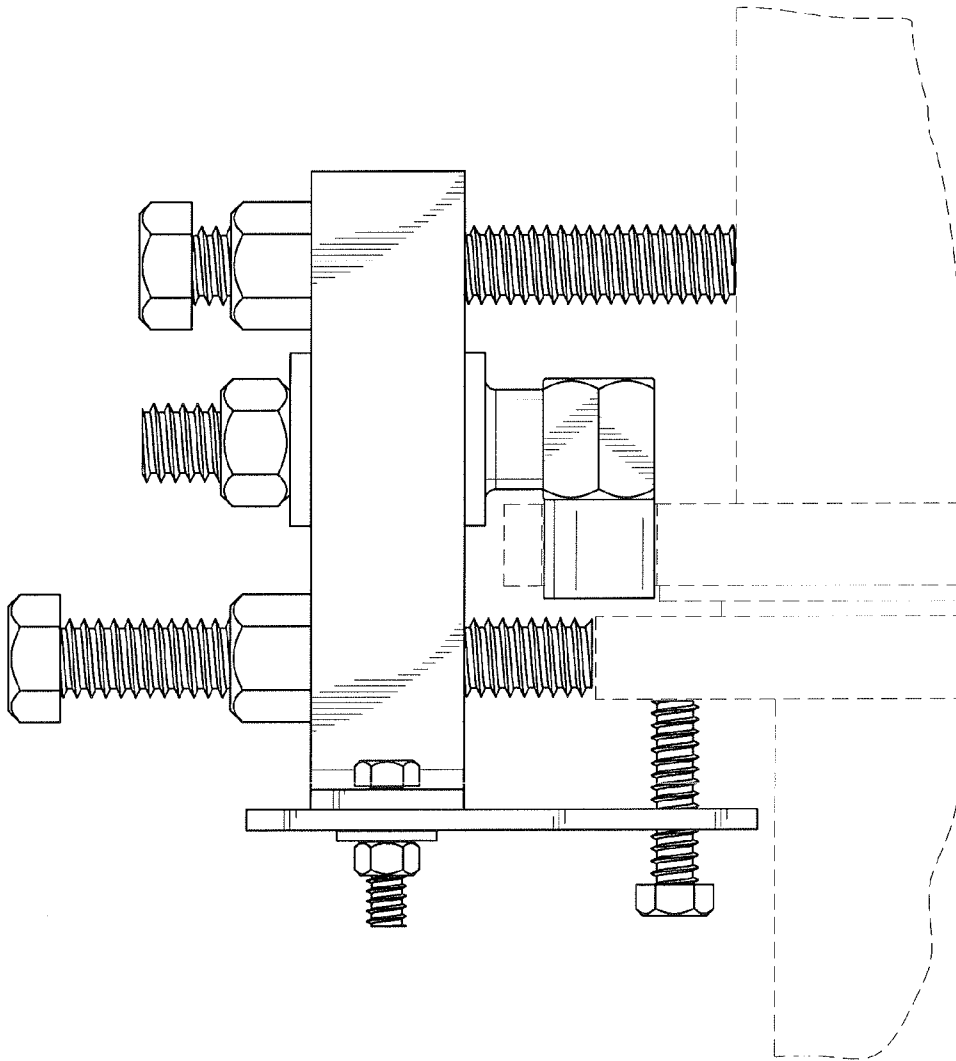


FIG. 8