



US00D344558S

United States Patent [19]

[11] Patent Number: **Des. 344,558**

Livera et al.

[45] Date of Patent: **** Feb. 22, 1994**

[54] **BODY SUPPORTED BASKETBALL GOAL**

[56]

References Cited

U.S. PATENT DOCUMENTS

[76] Inventors: **Giovanni N. Livera**, 10118 Cheshunt Dr., Orlando, Fla. 32817; **Timothy F. Glancey**, 1 W. Princeton Ave., Orlando, Fla. 32804

3,399,889	9/1968	Harry	273/1.5 R
4,762,319	8/1988	Krumholtz	273/1.5 R
5,192,080	3/1993	Duncan	273/1.5 R

Primary Examiner—Melvin B. Feifer
Attorney, Agent, or Firm—William M. Hobby, III

[**] Term: **14 Years**

[57]

CLAIM

The ornamental design for a body supported basketball goal 083445916, as shown.

[21] Appl. No.: **753,675**

DESCRIPTION

[22] Filed: **Sep. 3, 1991**

FIG. 1 is a front perspective view of a body supported basketball goal showing our new design;

[52] U.S. Cl. **D21/201**

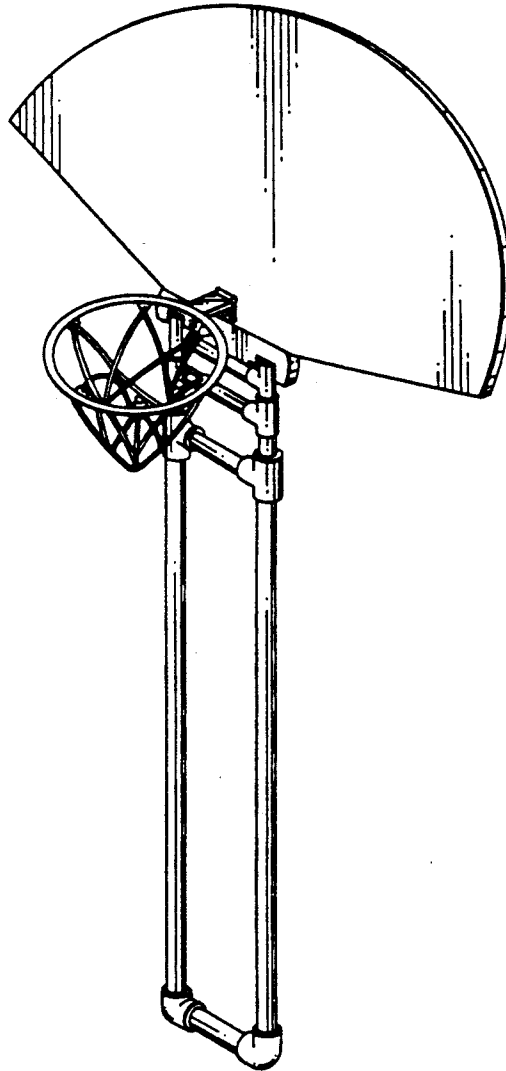
FIG. 2 is a rear elevation;

[58] Field of Search 273/1.5 R, 1.5 A, 411,

FIG. 3 is a side elevation; and,

273/412, 414; D21/201

FIG. 4 is a bottom plan view.



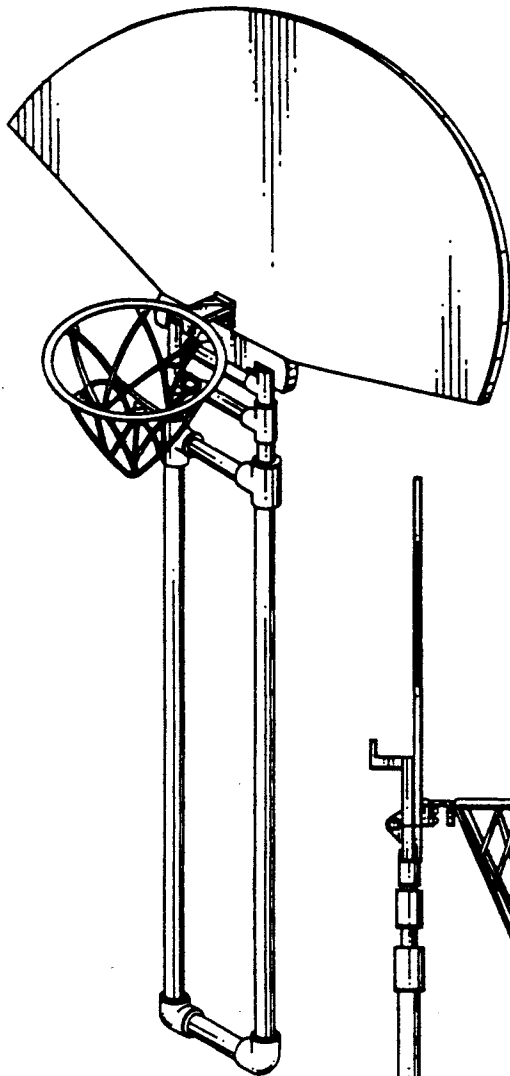


FIG. 1

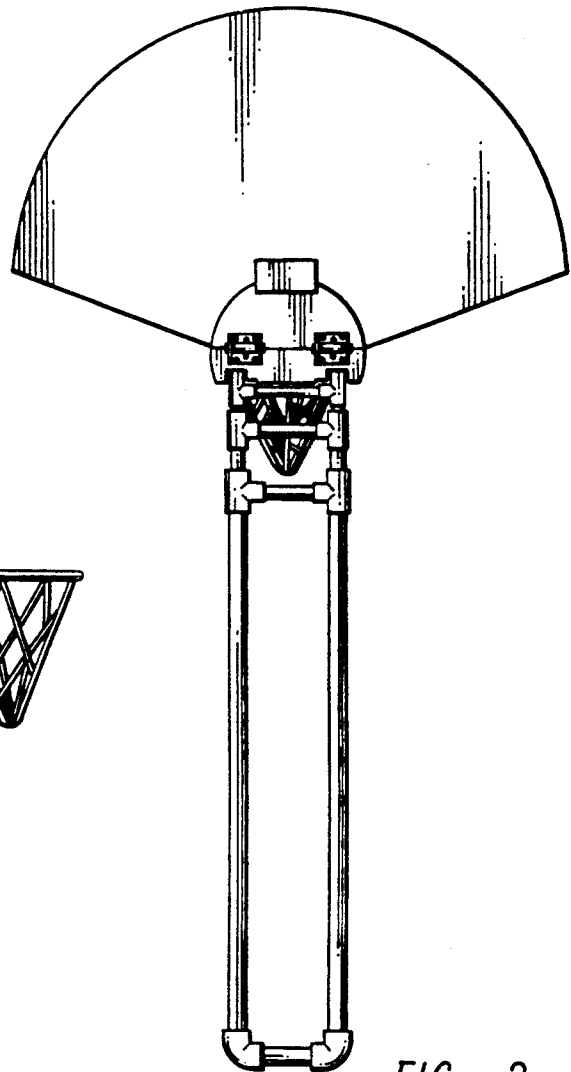


FIG. 2

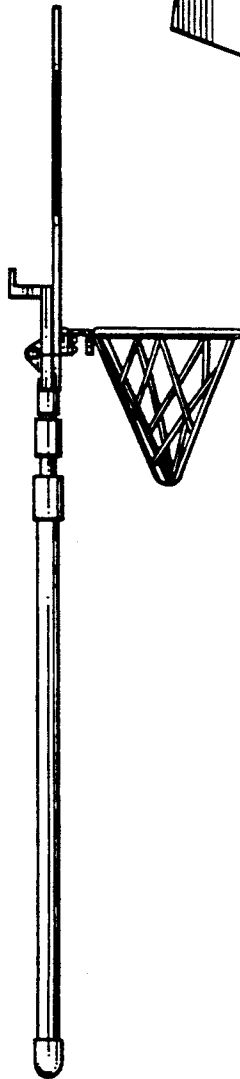


FIG. 3

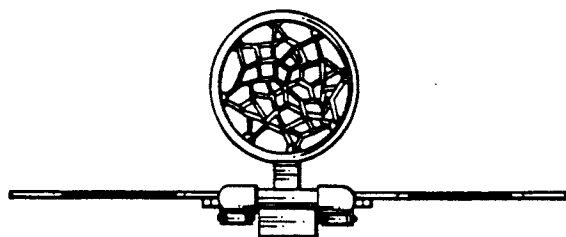


FIG. 4