

(19) World Intellectual Property Organization
International Bureau



(43) International Publication Date
4 September 2003 (04.09.2003)

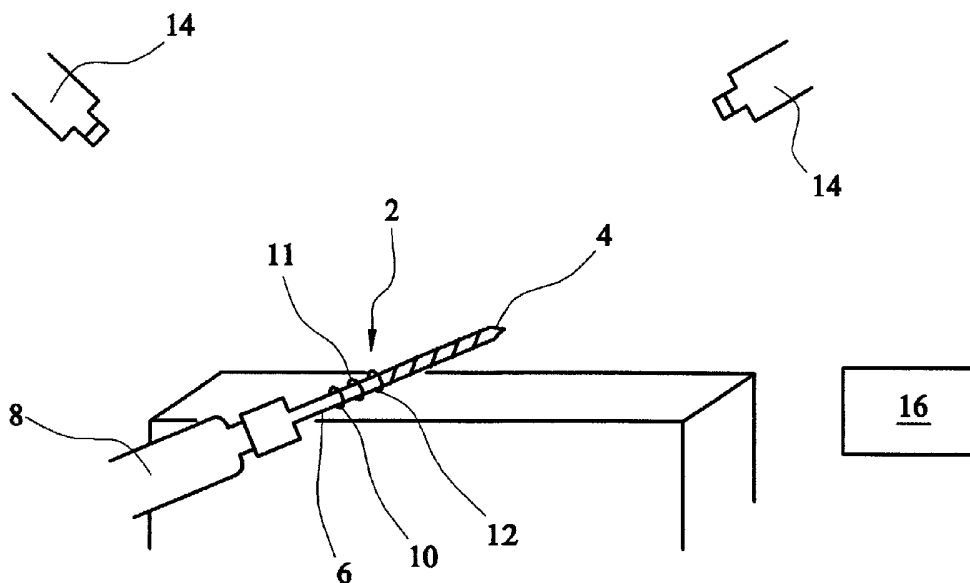
PCT

(10) International Publication Number
WO 03/071969 A1

- (51) International Patent Classification⁷: **A61B 19/00**, 17/16
- (74) Agent: **BELCHER, Simon, James**; Urquhart-Dykes & Lord, Tower House, Merrion Way, Leeds LS2 8PA (GB).
- (21) International Application Number: PCT/GB03/00822
- (81) Designated States (*national*): AE, AG, AL, AM, AT, AU, AZ, BA, BB, BG, BR, BY, BZ, CA, CH, CN, CO, CR, CU, CZ, DE, DK, DM, DZ, EC, EE, ES, FI, GB, GD, GE, GH, GM, HR, HU, ID, IL, IN, IS, JP, KE, KG, KP, KR, KZ, LC, LK, LR, LS, LT, LU, LV, MA, MD, MG, MK, MN, MW, MX, MZ, NO, NZ, OM, PH, PL, PT, RO, RU, SC, SD, SE, SG, SK, SL, TJ, TM, TN, TR, TT, TZ, UA, UG, US, UZ, VC, VN, YU, ZA, ZM, ZW.
- (22) International Filing Date: 26 February 2003 (26.02.2003)
- (25) Filing Language: English
- (26) Publication Language: English
- (30) Priority Data: 0204549.0 27 February 2002 (27.02.2002) GB
- (84) Designated States (*regional*): ARIPO patent (GH, GM, KE, LS, MW, MZ, SD, SL, SZ, TZ, UG, ZM, ZW), Eurasian patent (AM, AZ, BY, KG, KZ, MD, RU, TJ, TM), European patent (AT, BE, BG, CH, CY, CZ, DE, DK, EE, ES, FI, FR, GB, GR, HU, IE, IT, LU, MC, NL, PT, SE, SI, SK, TR), OAPI patent (BF, BJ, CF, CG, CI, CM, GA, GN, GQ, GW, ML, MR, NE, SN, TD, TG).
- (71) Applicant (*for all designated States except US*): **DEPUY INTERNATIONAL LIMITED** [GB/GB]; St. Anthony's Road, Beeston, Leeds LS11 8DT (GB).
- (72) Inventors; and
- (75) Inventors/Applicants (*for US only*): **REVIE, Ian** [GB/GB]; Tutt House, New Row, Boroughbridge YO51 9AX (GB). **SLOMCZYKOWSKI, Michal** [GB/GB]; 7 Templar Gardens, Wetherby LS22 7TG (GB).
- Published: — *with international search report*

[Continued on next page]

(54) Title: A SURGICAL INSTRUMENT SYSTEM



(57) Abstract: A surgical instrument system includes a tool (2) including an elongate shaft which defines the tool axis. The shaft bears a plurality of marker rings (10, 11, 12) arranged in a predetermined pattern on the surface of the shaft so that they extend around the shaft axis, the marker rings identifying the tool. The system includes a device (14) for receiving signals from the rings, and a data processor (16) for analysing the signal from the rings and generating information relating to the identity of the tool.



WO 03/071969 A1



— before the expiration of the time limit for amending the claims and to be republished in the event of receipt of amendments

For two-letter codes and other abbreviations, refer to the "Guidance Notes on Codes and Abbreviations" appearing at the beginning of each regular issue of the PCT Gazette.

-1-

A SURGICAL INSTRUMENT SYSTEM

The present invention relates to a surgical instrument system. The system finds particular application in the field of image guided surgery.

Some surgical techniques can be automated using computer apparatus. For example, it is known to use computers to generate signals to control the position of surgical instruments. These techniques can be used for example in conjunction with image data relating to the patient, for example as to the location, size, orientation etc of tissue on which the procedure is to be performed. In particular, if the location of the surgical instrument can be determined relative to the tissue on which the procedure is to be performed, it is possible in some circumstances for manipulation of the instrument to be controlled throughout the procedure using signals generated by a computer.

Reliable performance of such automated surgical procedures requires that the position of the instrument should be determined accurately. This can be done using one or more detectors which can detect signals from the instrument. For example, markers can be provided on the instrument from which a signal can be detected. The markers can be passive, for example made from reflective material, or they can be active, for example comprising two or more devices which emit radiation (such as light emitting diodes).

In the case of a surgical tool which is rotated about its axis such as a drill bit, it is known to provide markers for monitoring the position of the drive unit for the tool. This has can give rise to inaccuracies when the tool is long, when the end of the rotating part (whose location is likely to be of greatest significance) is spaced apart from the markers on the drive unit, for example due to flexing of the tool.

The present invention provides a surgical instrument system in which ring markers are placed on the shaft of a tool.

Accordingly, in one aspect, the invention provides a surgical instrument system, which comprises:

CONFIRMATION COPY

-2-

- a. a tool including an elongate shaft which defines the tool axis, the shaft bearing a plurality of marker rings arranged in a predetermined pattern on the surface of the shaft so that they extend around the shaft axis, the marker rings identifying the tool,
- b. a device for receiving signals from the rings,
- c. a data processor for analysing the signal from the rings and generating information relating to the identity of the tool.

The instrument system of the present invention has the advantage that it enables identification signal data to be obtained from a tool without the need for markers to be provided on a handle or other control part. The signal data can therefore be obtained from a part of the instrument which can be close to the end of the tool which is in contact with a patient's tissue; the signal data therefore comes from the part of the system of the invention which whose identity is particularly important in controlling the outcome of the procedure.

The signal data can also provide information as to the position and orientation of the tool relative to the receiving device. Providing this data based on markings on the tool has the advantage that the signal data is not subject to inaccuracies that can be associated with markers located on a handle or drive unit, for example arising from flexing of the tool.

The nature of the marker rings on the shaft of the tool are such that they will appear when viewed by the receiving device as rectangles when the tool is viewed from one side, perpendicular to a plane containing the axis of the tool, especially when the shaft is rotating about its axis. When the device is viewed obliquely from one side, the appearance of the rings will deviate from being exactly rectangular in that the sides of the rectangular will appear curved.

Preferably, the marker rings will extend continuously around the shaft of the tool. However, for some applications, the marker rings can have a small break provided in them, provided that the break does not interfere significantly with determining the location and spacing of the edges of the ring.

-3-

Preferably, the planes defined by the axially spaced edges of each ring are parallel to one another and perpendicular to the axis of the shaft. The rings will then appear as rectangles when the tool is viewed from one side perpendicular to a plane containing the axis of the tool. When the tool is viewed obliquely from one side, the edges of the rings will appear curved and will be continuously equidistant (parallel) around the axis of the tool. This has the advantage that it can facilitate analysis of the position data relating to the rings by the computer, even when the edges of the rings do not appear to the receiving device to be straight.

Determining the position of the tool will often require accurate determination of the relative positions of the rings when viewed by the receiving device. Steps which can be included in the determination of their relative positions can include one or more of:

- a. locating the axis of the shaft, which will generally extend along a line which is equidistant from the opposite edges (extending parallel to the shaft axis) of the rings, and
- b. locating the centre line of each ring, which will intersect the axis of the shaft at a point which is equidistant from the opposite edges (extending perpendicular to the shaft axis) of the rings.

Preferably, the data processor is programmed to perform the steps of:

- a. locating the axis of the shaft, which will generally extend along a line which is equidistant from the opposite edges (extending parallel to the shaft axis) of the rings, and
- b. locating the centre line of each ring, which will intersect the axis of the shaft at a point which is equidistant from the opposite edges (extending perpendicular to the shaft axis) of the rings.

Preferably, the data processor is programmed to perform the steps of:

-4-

- a. identifying three generally rectangular areas which represent the rings on the shaft when the shaft is viewed from one side,
- b. determining the location of a line on each of the rectangular areas which represents the midpoint of each area, measured parallel to the axis of the tool,
- c. determining the angle between the lines on adjacent ones of the rectangles.

Especially when the rings are narrow, it might be the relative positions of the rings can be determined with sufficient accuracy without locating their centre lines (step (b) above), thereby reducing the errors in position.

The steps for determining the relative positions of the rings when viewed by the receiving device can be performed by the data processor, for example by determining the coordinates of the relevant edges, and then interpolating to locate the relevant centre line.

Preferably, the system includes at least three marker rings on the surface of the shaft. Preferably, the distance between a first ring and a second ring which is adjacent to the first ring is the same as the distance between the said second ring and a third ring which is adjacent to the second ring on the opposite side of the second ring from the first ring.

The rings on the shaft can be used to provide information about the tool, including for example being used to identify the tool. This can be achieved by providing the rings in a predetermined arrangement which can be identified by the system. For example, the rings can be provided on the shaft as a bar code as is known from other contexts. The data processor can be provided with data a look up table relating tools of the general type being used, so that data that is obtained by analysing the signal from the rings can be compared with data in the look up table to enable the tool to be identified. For example, the tool can be identified by reference to the width of the bands or the spacing between adjacent bands or both. The dimensions (width, spacing etc) of the rings will be selected according to the resolution of the receiving device, the likelihood of obstruction to clear inspection of the rings (for example because of body fluids in the vicinity of the tool when in use), the range of distances from the receiving device to the tool etc.

-5-

The width of the rings, measured along the axis of the shaft, will be selected according to factors such as the nature of the receiving device and the signals which are received by the device from the rings, and the distance between the tool and the receiving device. The rings should be sufficiently wide that they can be seen by the receiving device. However, it will often be preferred for the width of the rings to be kept to a minimum, consistent with the requirement for visibility, so that inaccuracies in determining the relative positions of the rings are minimised.

Preferably, the width of each ring is less than about 10 mm, for example less than about 5 mm. Generally the width of each ring will be at least about 3 mm.

Preferably, the spacing between adjacent edges of adjacent rings will be at least about 1 mm, more preferably at least about 3 mm, especially at least about 5 mm. Preferably, the spacing is not more than about 20 mm, more preferably not more than about 10 mm.

The rings can have a surface which is a contrasting colour or texture from the remainder of the shaft on which the rings are arranged. For example, the shaft might have a generally dull surface and the rings might have a relatively smooth surface, especially so that it is glossy. The shaft might have a generally dark surface, and the rings might be relatively bright. Accordingly, it is preferred that the marker rings are more reflective than the surface of the shaft on which they are arranged.

The shaft of the tool will generally be made from a metal. Metals which are frequently used in the manufacture of surgical instruments, especially cutting tools, include certain stainless steels. The rings will often be applied using a different material, for example a polymeric material or an inorganic material. The nature of the material of the rings will be selected according to factors such as (a) its reflective or other properties which are necessary for the rings to be detected by the receiving device, and (b) the conditions to which the rings will be exposed prior to, during, and after use of the instrument. When the rings are applied to the shaft of the tool and are intended to remain there permanently, they might be required to withstand the conditions to which the tool is exposed when the tool is prepared for use, for example by exposure to elevated temperature and pressure. Certain

-6-

pigments (which might be based on polymeric materials) can be suitable. For example, a pigment can be included in a curable polymeric material such as an epoxy resin. Different factors might apply when rings are applied to the shaft of the tool for the purpose of a single procedure. For example, the rings can be provided as markings on a polymeric sleeve, for example provided by an ink. A preferred construction of sleeve might comprise a sleeve formed from a transparent polymeric material, with a plurality of contrasting bands located on the internal surface of the sleeve.

The materials used in the rings will depend on the nature of the receiving device. When the device is a camera which can observe visible radiation, the rings should contrast visibly with the surface of the shaft on which they are arranged. When the device receives data which is not in the visible region of the electromagnetic spectrum, different ring materials might be used. For example, if the device receives infrared or ultraviolet radiation, the rings should reflect radiation from an infrared source or an ultraviolet light source respectively

The system of the invention can include two (or more) receiving devices which are spaced apart, for receiving stereoscopic signals from the rings on the tool, and possibly three or more receiving devices for accurate determination of the position and, especially, the orientation of a tool. The use of a plurality of appropriately positioned receiving devices allows orientation to be determined by identifying the effect of parallax on the observed spacing between adjacent rings. The use of two receiving devices also allows position and orientation of a tool to be monitored with reduced risk of obstruction of the line of sight.

The positions of the receiving devices will be determined in order to optimise the range of motion of the tool without obstruction of the line of sight of the tool using the devices. Preferably, the general lines of sight for the receiving devices are not parallel to one another so that the angle between the lines of sight is generally less than 150° , for example less than about 120° . The said angle will generally be more than about 30° , for example more than about 60° . Appropriate selection of the angle can help to provide stereoscopic determination of the orientation and position of the tool.

-7-

The rings can be provided on the shaft on a sleeve which is applied to the surface of the shaft. For example, the sleeve can be made from a material which allows the sleeve to shrink when subjected to an appropriate treatment such as heating or exposure to a liquid. The rings can instead be provided directly on the surface of the shaft, for example by the application of a layer of contrasting material onto the surface of the shaft, or by engraving the surface of the shaft, or by a combination of the two.

It will generally be necessary to register the tool in the coordinate space defined with respect to the receiving device. The registration process can have the purpose of any of (a) determining the nature of the instrument, and (b) determining the spatial relationship between the rings on the shaft and an operating part (for example the end where cutting teeth are located) of the tool. The nature of the registration process will be different if the rings are applied to the tool on a separate sleeve compared with a tool on which the rings are provided as permanent features. The nature of registration procedures in image guided surgery is generally established.

The tool can be a cutting tool, for example a drill or a reamer. The tool can have other functions, for example as another type of finisher such as a polisher.

Preferably, the system of the invention includes a drive unit for imparting rotational motion to the tool. For example, the drive unit can be of a kind that is used conventionally to impart rotational motion to a tool such as a drill bit. The invention has particular advantages when used in this way, in that the markers are visible on the shaft of the tool throughout its rotation. However, the invention has related advantages when the tool does not rotate about its shaft because the markers can be observed irrespective of the orientation of the tool

The dimensions of the shaft will vary according to the nature of the tool and its intended application. The shaft will often have a circular cross-section. Its diameter might be less than about 25 mm, for example less than about 20 mm, possibly less than about 10 mm, even less than about 5 mm. The length of the shaft will generally be kept to a minimum, consistent with being able to use the tool at a desired location. However, it will be

-8-

appreciated that the shaft might be long for some applications, and it is there that the advantages that are afforded by the present invention become particularly significant. Preferably, the rings on the shaft will be positioned as close as reasonably possible to the end of the tool that is remote from the drive unit.

Embodiments of the present invention will now be described by way of example with reference to the accompanying drawings, in which:

Figure 1 is a schematic representation of a system according to the present invention. Figure 2 is a side view of a cutting tool for use in the system of the invention.

Referring to the drawings, Figure 1 shows a surgical instrument system which comprises a rotatable drill bit 2 having an elongate shaft. The shaft has a cutting portion 4 and a smooth surface portion 6. The drill bit is made from a surgical grade stainless steel. The diameter of the shaft is 6 mm in the illustrated embodiment, although it will be appreciated that the drill bit could have a size which is bigger than this or smaller than this.

The system includes a drive unit 8 which the drill bit 2 fits into, and which causes the drill bit to rotate about the axis defined by the shaft.

The smooth surface portion 6 of the shaft has first, second and third marker rings 10, 11, 12 on its surface. Each of the rings has a width (measured along the axis of the shaft) of 4 mm. The distance between adjacent edges of adjacent rings is 3 mm so that the centre to centre spacing of the rings is 7 mm. The rings on the surface of the shaft are provided by a curable polymeric material such as a epoxy material containing an appropriate pigment.

The system includes two cameras 14, positioned with respect to the drive unit and cutting tool so that the rings on the shaft of the cutting tool are visible throughout use of the cutting tool in a surgical procedure. The pigment should be such that reflected light from the surface of the drill bit enables a sharp contrast to be observed between the rings and the regions of the shaft between the rings.

The system includes a data processor 16 which can analyse the signals received from the cameras. The signals are analysed to determine the spacing between adjacent pairs of the rings, that is between the first and second rings, and between the second and third rings, as viewed by each camera. Determining the spacing involves (a) locating the axis of the shaft, which will generally extend along a line which is equidistant from the opposite edges (extending parallel to the shaft axis) of the rings, and (b) locating the centre line of each ring, which will intersect the axis of the shaft at a point which is equidistant from the opposite edges (extending perpendicular to the shaft axis) of the rings. If the shaft of the tool is arranged so that it extends precisely perpendicular to a line which extends between the camera and the rings, the measured distances between the first and second rings, and between the second and third rings, respectively, will be the same. If the shaft of the tool is arranged so that the shaft is not exactly perpendicular to the line extending between the camera and the rings, the measured distances between the first and second rings, and between the second and third rings, respectively, will be different. For example when the third ring is further from the camera than the first ring, the measured distance between the first and second rings will be greater than the measured distance between the second and third rings. The orientation of the tool relative to the camera (which can be considered in terms of the angle between the shaft axis and the line extending between the camera and the rings) can be determined by simple trigonometry from knowledge of the apparent distances as determined from the receiving device and the actual distances as known from the registration of the tool.

CLAIMS:

1. A surgical instrument system, which comprises:
 - a. a tool including an elongate shaft which defines the tool axis, the shaft bearing a plurality of marker rings arranged in a predetermined pattern on the surface of the shaft so that they extend around the shaft axis, the marker rings identifying the tool,
 - b. a device for receiving signals from the rings,
 - c. a data processor for analysing the signal from the rings and generating information relating to the identity of the tool.
2. A system as claimed in claim 1, in which the marker rings are more reflective than the surface of the shaft on which they are arranged.
3. A system as claimed in claim 1, in which there are at least three marker rings.
4. A system as claimed in claim 3, in which the distance between a first ring and a second ring which is adjacent to the first ring is the same as the distance between the said second ring and a third ring which is adjacent to the second ring on the opposite side of the second ring from the first ring.
5. A system as claimed in claim 1, which includes a drive unit for imparting rotational motion to the tool.
6. A system as claimed in claim 1, which comprises two receiving devices which are spaced apart for receiving stereoscopic signals from the rings on the tool.
7. A system as claimed in claim 1, in which the planes defined by the axially spaced edges of each ring are parallel to one another and perpendicular to the axis of the shaft.

-11-

8. A system as claimed in claim 1, in which the rings are marked on a sleeve which is fitted to the surface of the tool.
9. A system as claimed in claim 1, in which the tool is a cutting tool.
10. A system as claimed in claim 1, in which the data processor is programmed to perform the steps of:
 - a. locating the axis of the shaft, which will generally extend along a line which is equidistant from the opposite edges (extending parallel to the shaft axis) of the rings, and
 - b. locating the centre line of each ring, which will intersect the axis of the shaft at a point which is equidistant from the opposite edges (extending perpendicular to the shaft axis) of the rings.
11. A system as claimed in claim 1, in which the data processor is programmed to perform the steps of:
 - a. identifying three generally rectangular areas which represent the rings on the shaft when the shaft is viewed from one side,
 - b. determining the location of a line on each of the rectangular areas which represents the midpoint of each area, measured parallel to the axis of the tool,
 - c. determining the angle between the lines on adjacent ones of the rectangles.

-1/1-

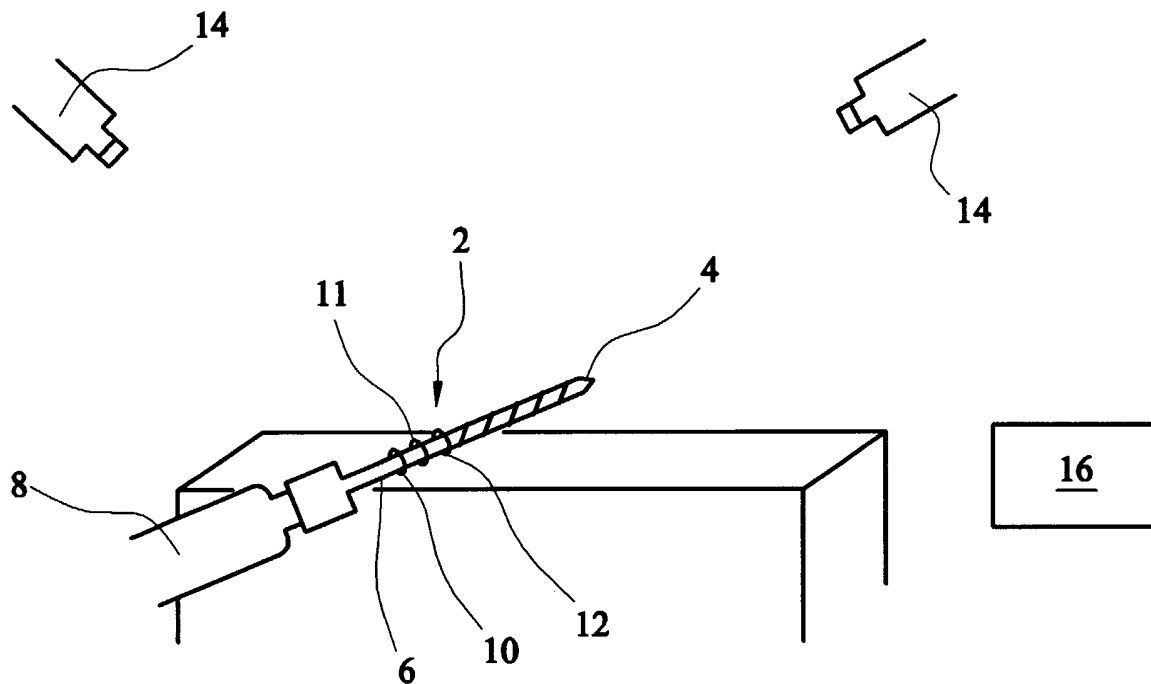


FIG. 1

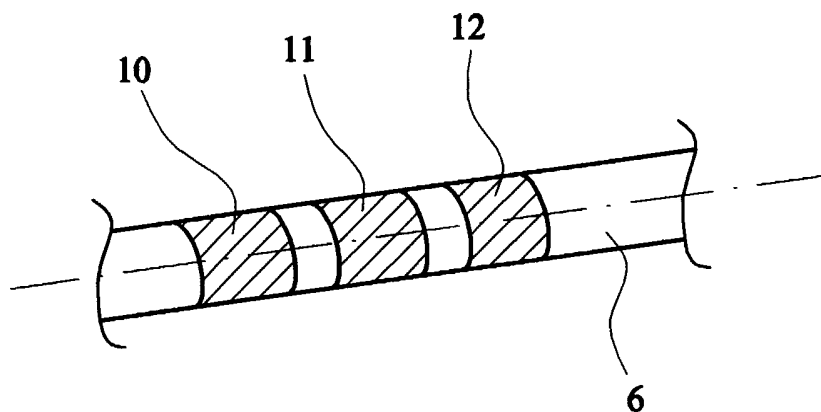


FIG. 2

INTERNATIONAL SEARCH REPORT

International Application No

PCT/GB 03/00822

A. CLASSIFICATION OF SUBJECT MATTER
 IPC 7 A61B19/00 A61B17/16

According to International Patent Classification (IPC) or to both national classification and IPC

B. FIELDS SEARCHED

Minimum documentation searched (classification system followed by classification symbols)
 IPC 7 A61B

Documentation searched other than minimum documentation to the extent that such documents are included in the fields searched

Electronic data base consulted during the international search (name of data base and, where practical, search terms used)

EPO-Internal, WPI Data, PAJ

C. DOCUMENTS CONSIDERED TO BE RELEVANT

Category °	Citation of document, with indication, where appropriate, of the relevant passages	Relevant to claim No.
A	WO 01 64124 A (MEDTRONIC SURGICAL NAVIGATION) 7 September 2001 (2001-09-07) the whole document	1-11
A	WO 00 54687 A (SATI MARWAN ;SYNTHES AG (CH); NOLTE LUTZ PETER (CH); SYNTHES USA () 21 September 2000 (2000-09-21) figures	1-11
A	US 6 317 616 B1 (GLOSSOP NEIL DAVID) 13 November 2001 (2001-11-13) figure 3	1-11

Further documents are listed in the continuation of box C.

Patent family members are listed in annex.

° Special categories of cited documents :

- *A* document defining the general state of the art which is not considered to be of particular relevance
- *E* earlier document but published on or after the international filing date
- *L* document which may throw doubts on priority claim(s) or which is cited to establish the publication date of another citation or other special reason (as specified)
- *O* document referring to an oral disclosure, use, exhibition or other means
- *P* document published prior to the international filing date but later than the priority date claimed

- *T* later document published after the international filing date or priority date and not in conflict with the application but cited to understand the principle or theory underlying the invention
- *X* document of particular relevance; the claimed invention cannot be considered novel or cannot be considered to involve an inventive step when the document is taken alone
- *Y* document of particular relevance; the claimed invention cannot be considered to involve an inventive step when the document is combined with one or more other such documents, such combination being obvious to a person skilled in the art.
- *&* document member of the same patent family

Date of the actual completion of the international search

11 June 2003

Date of mailing of the international search report

25/06/2003

Name and mailing address of the ISA

European Patent Office, P.B. 5818 Patentlaan 2
 NL - 2280 HV Rijswijk
 Tel. (+31-70) 340-2040, Tx. 31 651 epo nl,
 Fax: (+31-70) 340-3016

Authorized officer

Heid, G

INTERNATIONAL SEARCH REPORT

International Application No

PCT/GB 03/00822

Patent document cited in search report	Publication date	Patent family member(s)	Publication date
WO 0164124	A	07-09-2001	WO 0164124 A1 07-09-2001
WO 0054687	A	21-09-2000	WO 0054687 A1 21-09-2000
			AU 748703 B2 13-06-2002
			AU 2837299 A 04-10-2000
			CA 2367271 A1 21-09-2000
			EP 1161194 A1 12-12-2001
			JP 2002538884 T 19-11-2002
			US 2002055679 A1 09-05-2002
US 6317616	B1	13-11-2001	AU 7396600 A 17-04-2001
			WO 0119271 A2 22-03-2001
			CA 2381728 A1 22-03-2001
			EP 1212001 A2 12-06-2002
			US 2002016541 A1 07-02-2002