



US00D855669S

(12) **United States Design Patent**
Ebner

(10) **Patent No.:** **US D855,669 S**

(45) **Date of Patent:** **** Aug. 6, 2019**

(54) **GEARBOX**

(71) Applicant: **Wittenstein SE**, Igersheim (DE)

(72) Inventor: **Siegfried Ebner**, Zell am See (AT)

(73) Assignee: **Wittenstein SE**, Igersheim (DE)

(**) Term: **15 Years**

(21) Appl. No.: **29/619,754**

(22) Filed: **Oct. 2, 2017**

(51) **LOC (12) Cl.** **15-09**

(52) **U.S. Cl.**
USPC **D15/148**

(58) **Field of Classification Search**
USPC D15/5-7, 148
CPC F16D 41/07; F16D 41/061-064; F16D
41/066; F16D 41/067; F16D 41/105;
F16H 1/28; F16H 1/46; F16H 49/001;
F16H 57/029; F16H 57/033; F16H
57/082; F16H 57/0482

See application file for complete search history.

(56) **References Cited**

U.S. PATENT DOCUMENTS

D56,926 S *	1/1921	Humphrey	D23/263
D269,014 S	5/1983	Tumidajewicz et al.		
D370,964 S *	6/1996	Horvath	D23/262
D479,541 S *	9/2003	Lannoch	D15/148
D479,542 S *	9/2003	Lannoch	D15/148
D497,374 S *	10/2004	Wittenstein	D15/148
D514,607 S *	2/2006	Wittenstein	D15/148
D520,040 S	5/2006	Müller et al.		
D529,939 S *	10/2006	Wilhelm	D15/148

(Continued)

FOREIGN PATENT DOCUMENTS

EM	000175500-0003	5/2004
EM	00070181-0002	3/2007

(Continued)

OTHER PUBLICATIONS

Taiwanese notice of allowance for patent application No. 106304867 dated Nov. 20, 2017.

(Continued)

Primary Examiner — Patricia A Palasik

(74) *Attorney, Agent, or Firm* — Bachman & LaPointe, PC

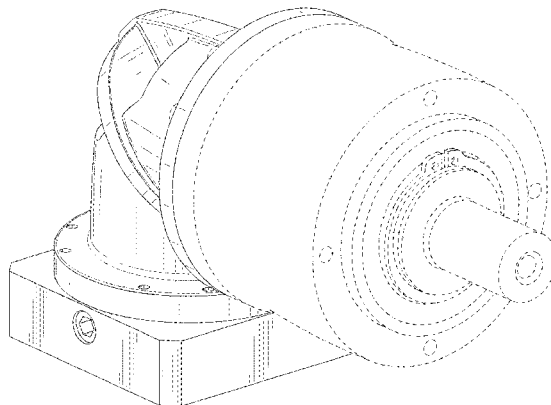
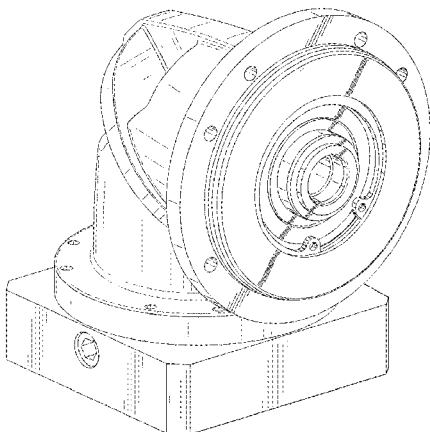
(57) **CLAIM**

The ornamental design of a gearbox, as shown.

DESCRIPTION

FIG. 1 is a side view illustrating the ornamental features of a gearbox according to the invention; FIG. 2 is a front view of the gearbox of FIG. 1; FIG. 3 is a bottom view of the gearbox of FIG. 1; FIG. 4 is a reverse side view of the gearbox of FIG. 1; FIG. 5 is a front perspective view of the gearbox of FIG. 1; FIG. 6 is a rear view of the gearbox of FIG. 1; FIG. 7 is a top view of the gearbox of FIG. 1; FIG. 8 is a rear perspective view of the gearbox of FIG. 1; FIG. 9 is a side view illustrating the ornamental features of the gearbox of FIG. 1; FIG. 10 is a front view of the gearbox of FIG. 1; FIG. 11 is a bottom view of the gearbox of FIG. 1; FIG. 12 is a reverse side view of the gearbox of FIG. 1; FIG. 13 is a front perspective view of the gearbox of FIG. 1; FIG. 14 is a rear view of the gearbox of FIG. 1; FIG. 15 is a top view of the gearbox of FIG. 1; and, FIG. 16 is a rear perspective view of the gearbox of FIG. 1. The broken lines shown in FIGS. 9-16 show unclaimed environment of the claimed design.

1 Claim, 16 Drawing Sheets



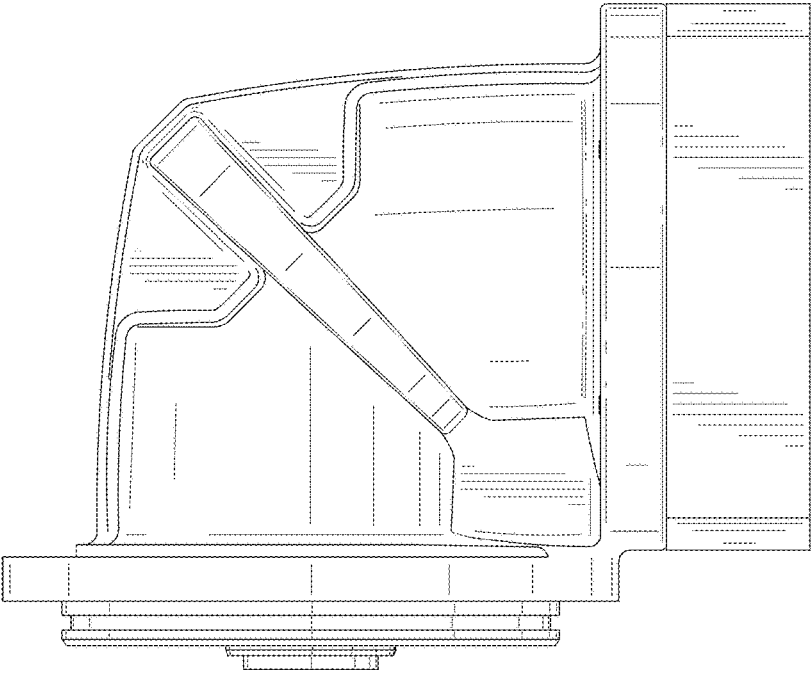


FIG. 1

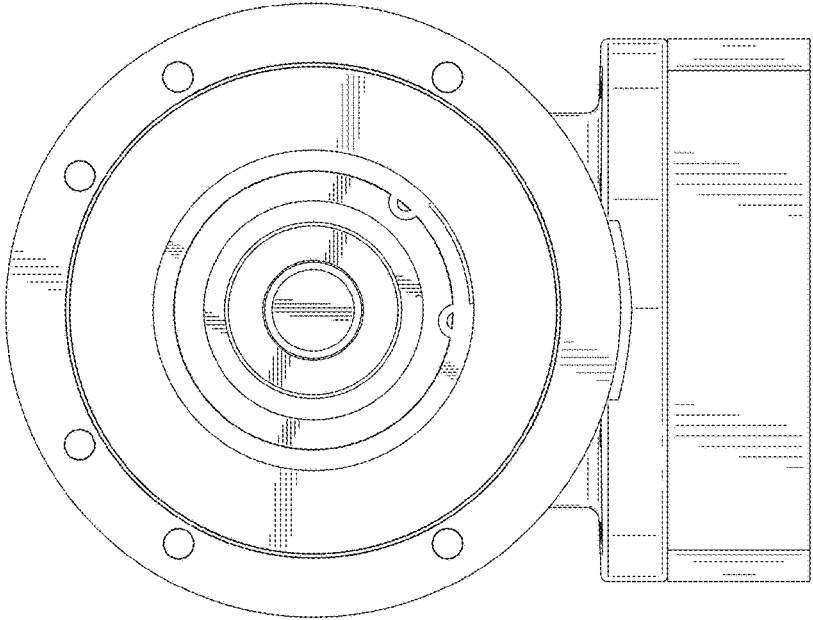


FIG. 2

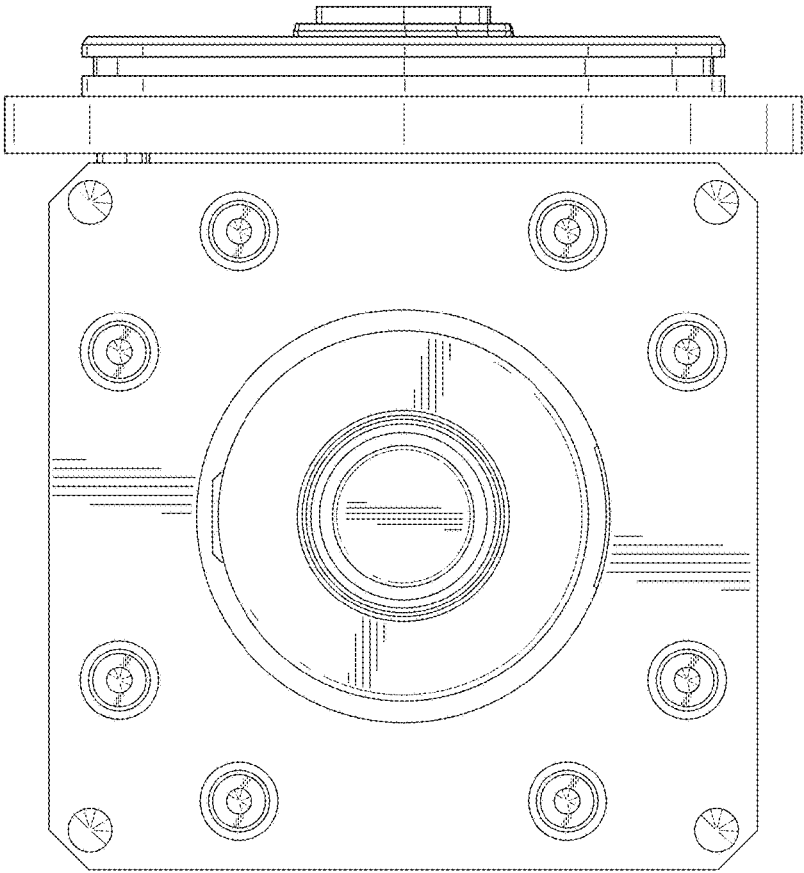


FIG. 3

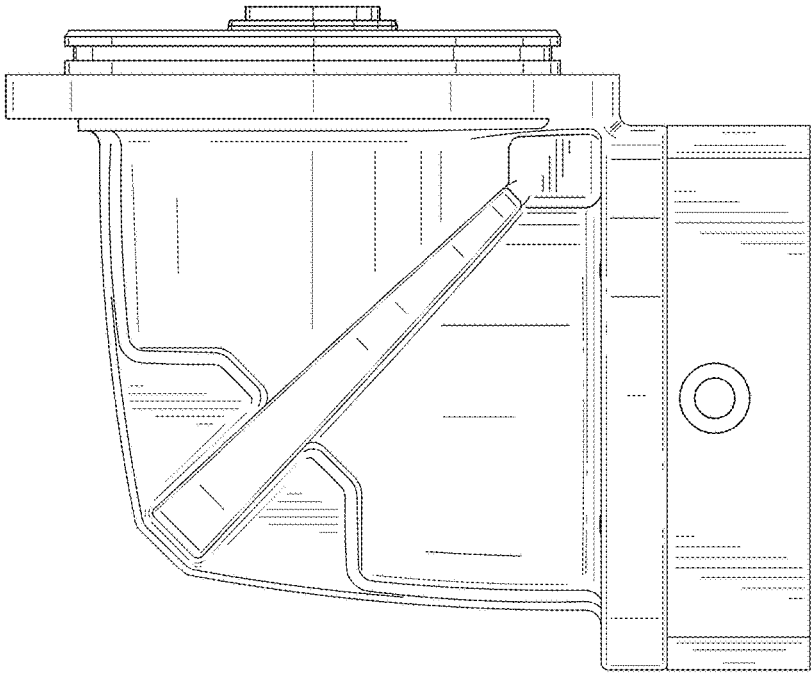


FIG. 4

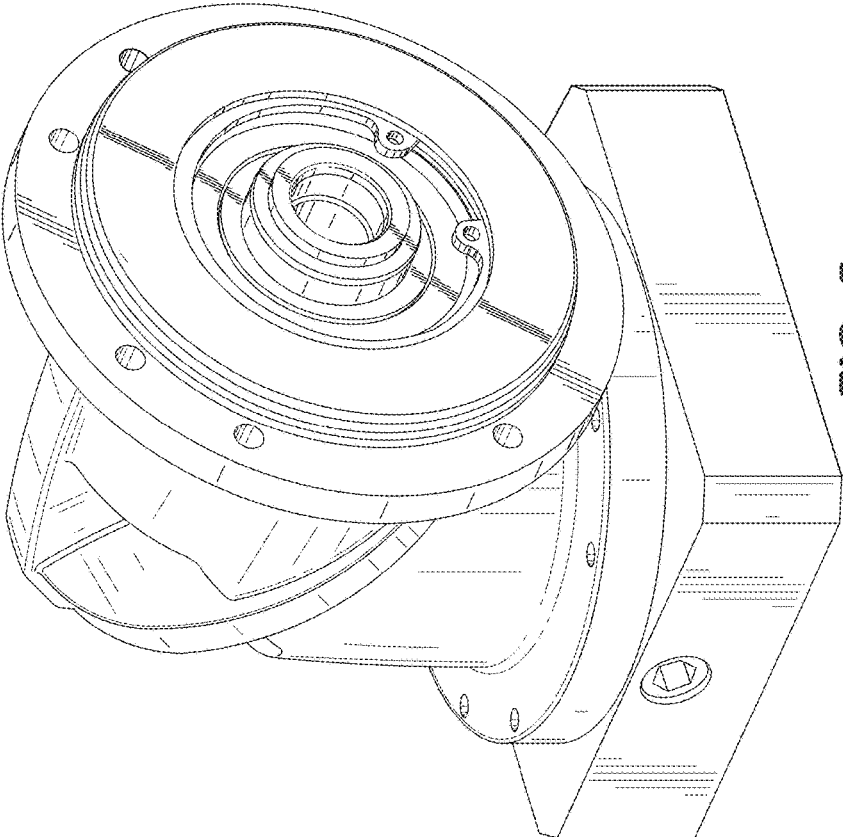


FIG. 5

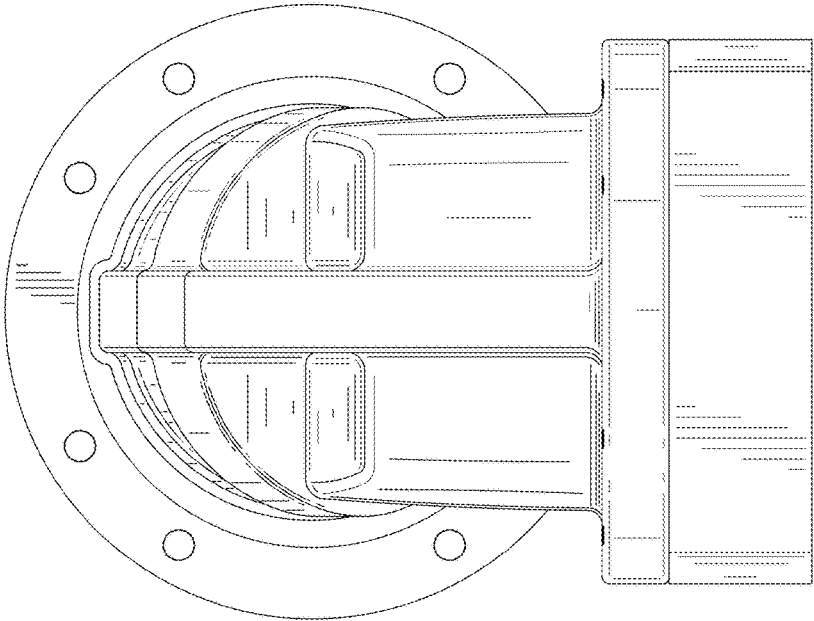


FIG. 6

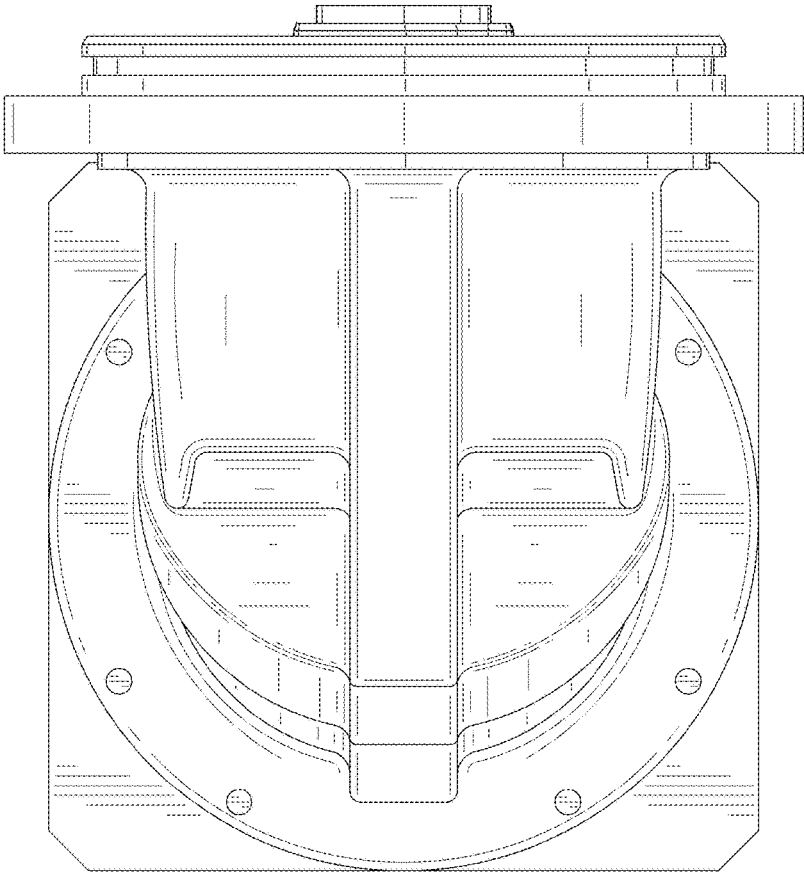


FIG. 7

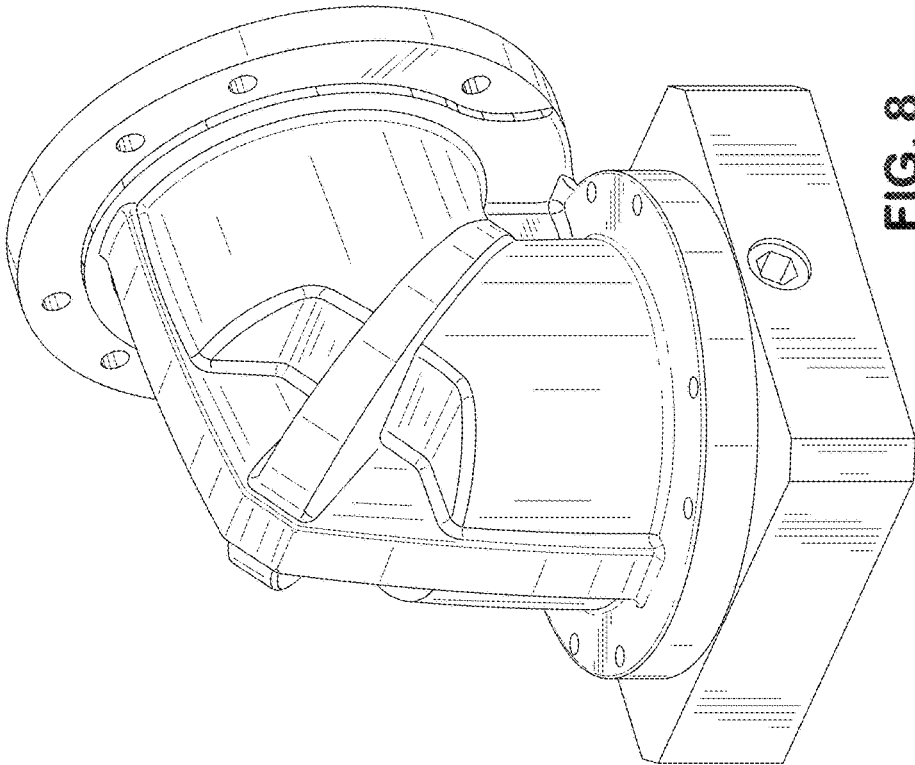


FIG. 8

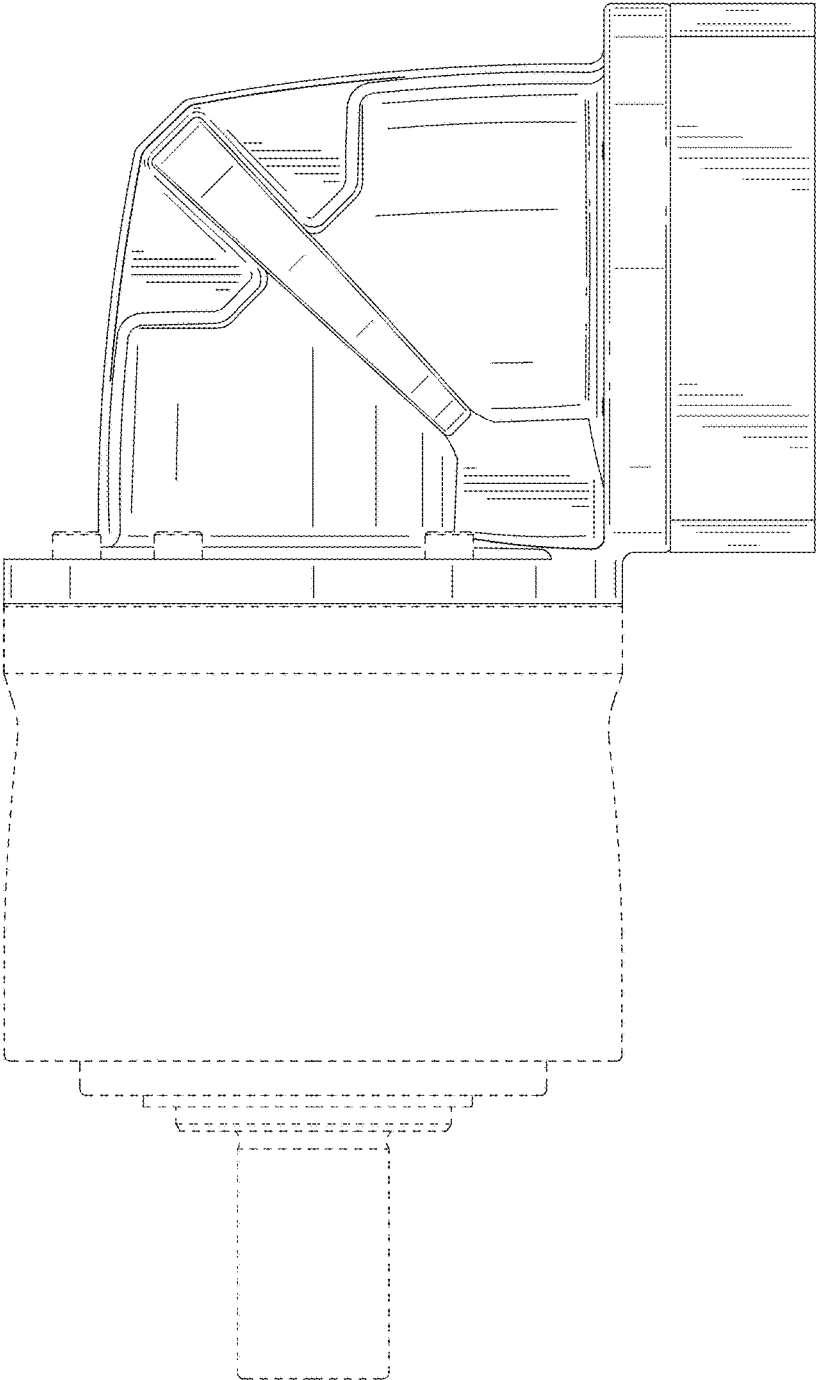


FIG. 9

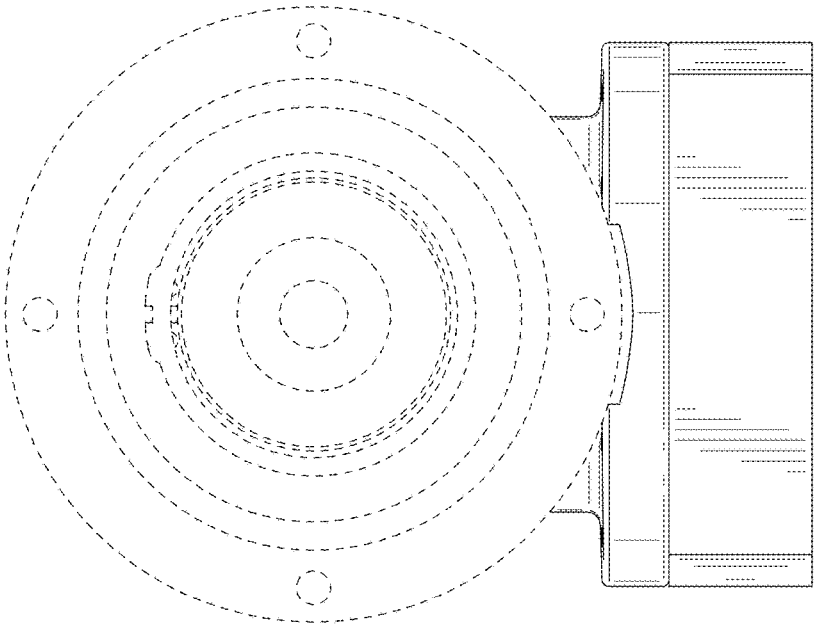


FIG. 10

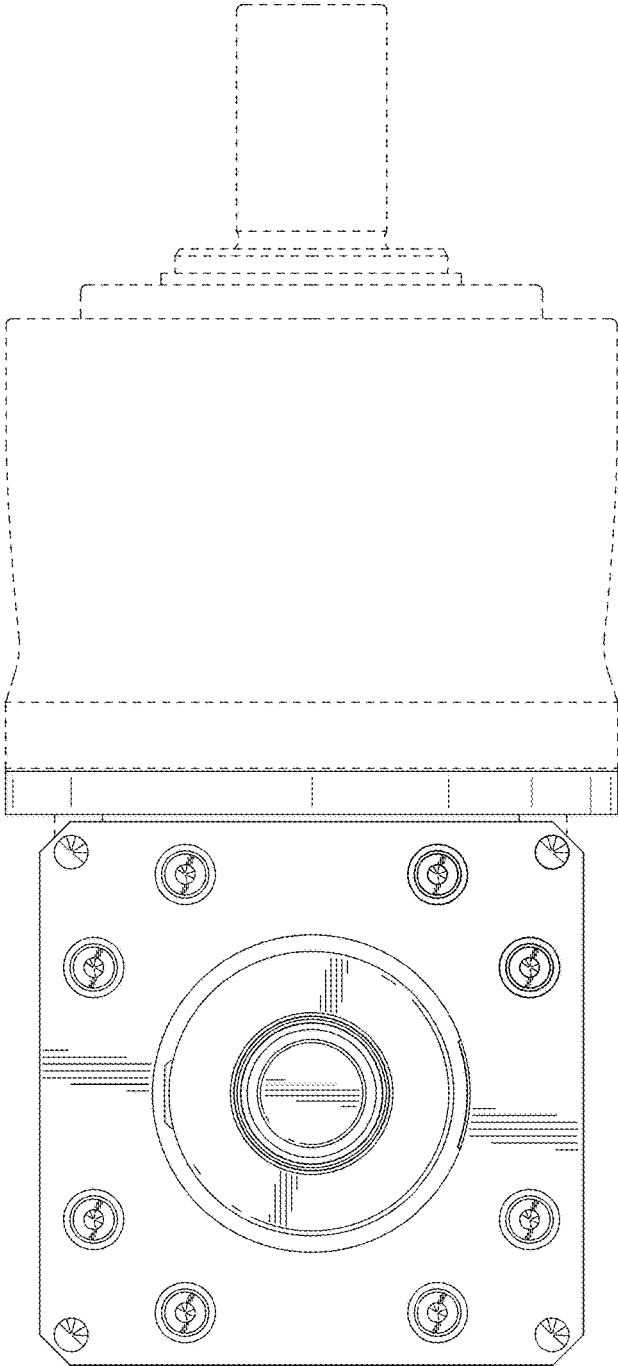


FIG. 11

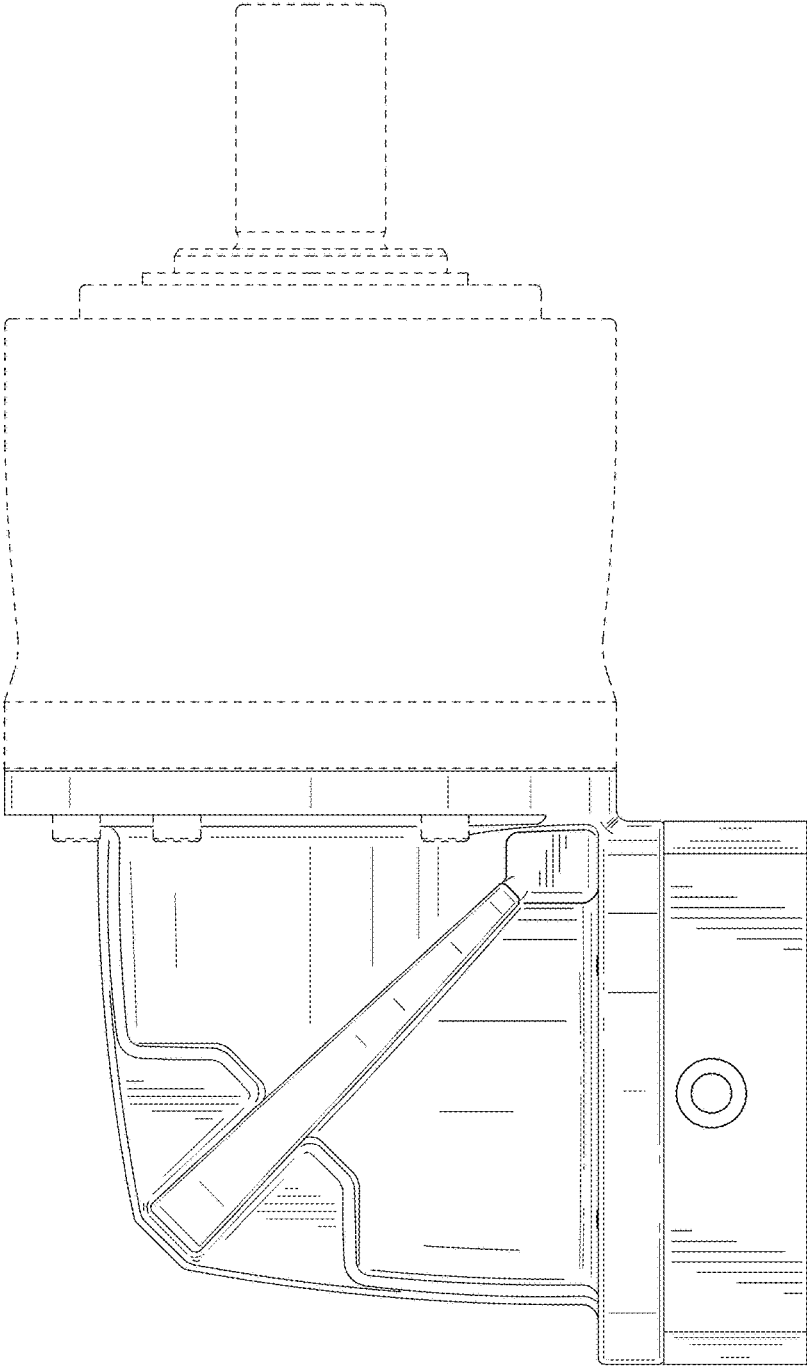


FIG. 12

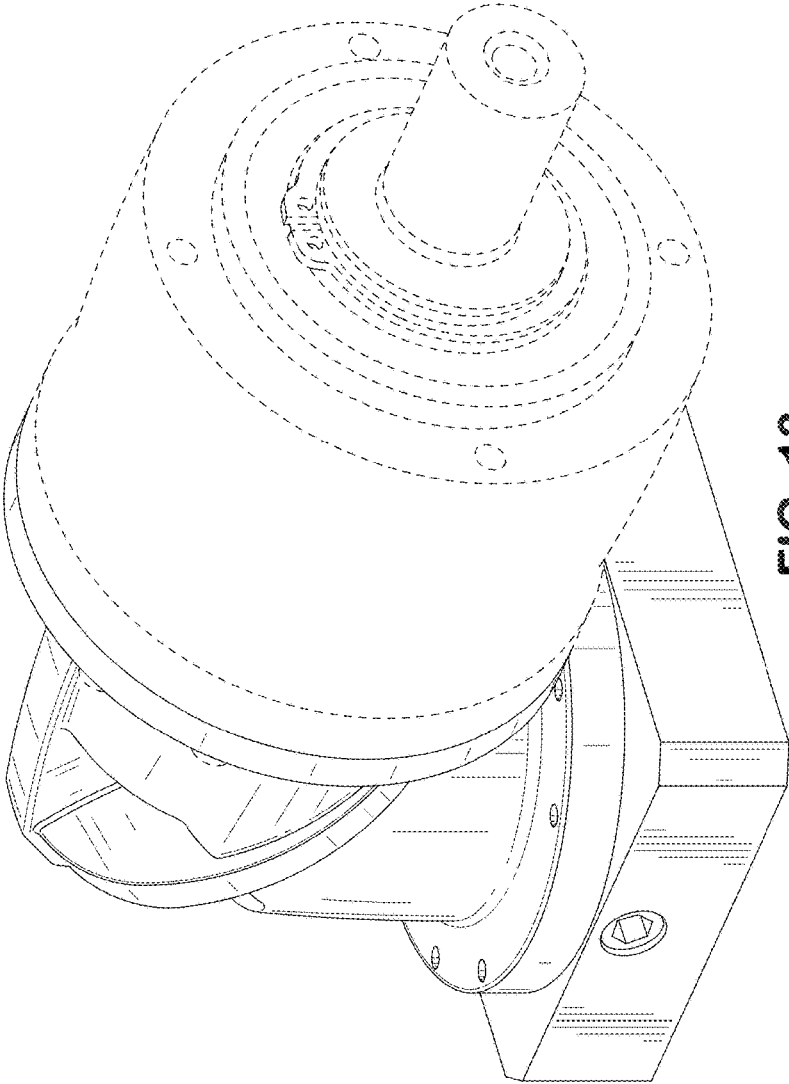


FIG. 13

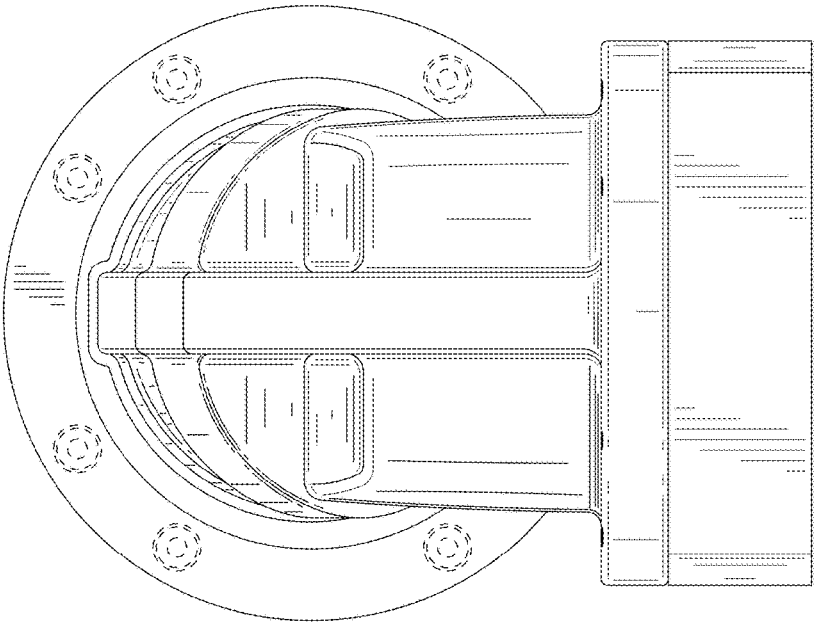


FIG. 14

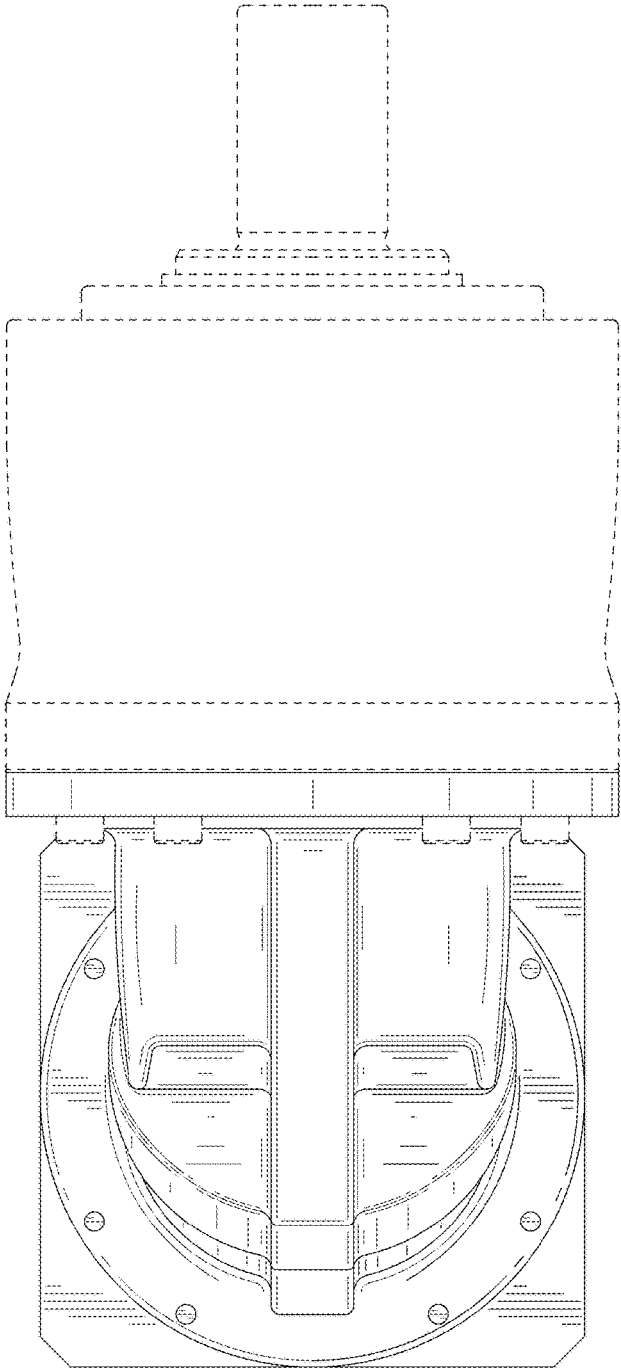


FIG. 15

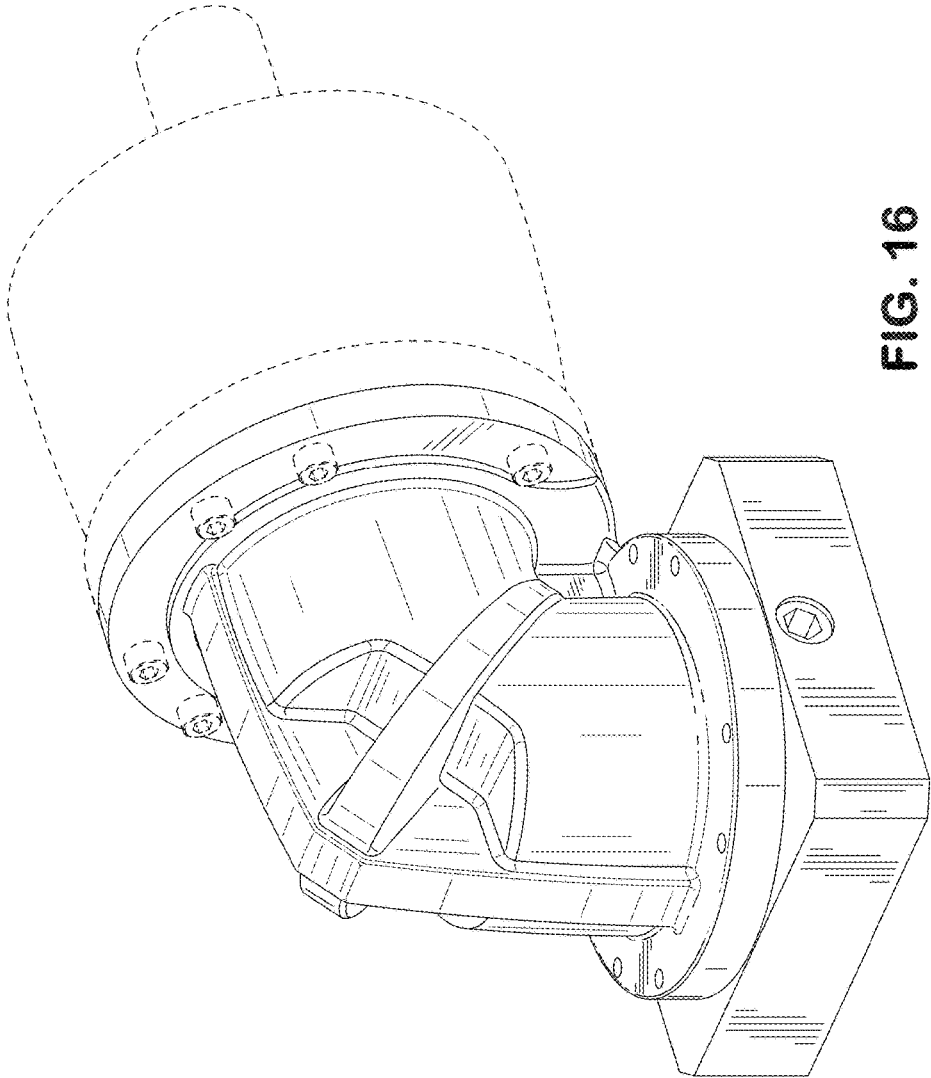


FIG. 16