



US00D348412S

# United States Patent [19]

[11] Patent Number: Des. 348,412

Hazelton

[45] Date of Patent: \*\* Jul. 5, 1994

[54] **TRAFFIC CONE**

[75] Inventor: **Thomas J. Hazelton**, Garden Grove, Calif.

[73] Assignee: **Eugene A. Gregory**, Redondo Bch, Calif.

[\*\*] Term: **14 Years**

[21] Appl. No.: **11,519**

[22] Filed: **Aug. 9, 1993**

[52] U.S. Cl. .... **D10/113**

[58] Field of Search ..... 116/63 R, 63 C, 63 P; 404/6, 7, 8, 9, 10, 11, 12, 13, 14, 15, 16; 40/606, 610, 611, 612; D10/104, 109, 111, 113

[56] **References Cited**

**U.S. PATENT DOCUMENTS**

2,275,711	3/1942	Ybanez	116/63 C
3,496,904	2/1970	Rimkus	116/63 C
4,006,702	2/1977	St. Cyr	116/63 P
4,256,050	3/1981	Barnard	116/63 C

**FOREIGN PATENT DOCUMENTS**

2090625 7/1982 United Kingdom ..... 116/63 C

*Primary Examiner*—Wallace R. Burke

*Assistant Examiner*—Marcus Jackson

*Attorney, Agent, or Firm*—Charles H. Thomas

[57] **CLAIM**

The ornamental design for a traffic cone, as shown and described.

**DESCRIPTION**

FIG. 1 is a front perspective view of a traffic cone in its extended condition as employed for operation showing my new design;

FIG. 2 is a top plan view thereof;

FIG. 3 is a front elevational view thereof, it being understood that the rear and both side elevational views are identical thereto;

FIG. 4 is a bottom plan view thereof; and,

FIG. 5 is a front perspective view thereof shown in a collapsed condition.

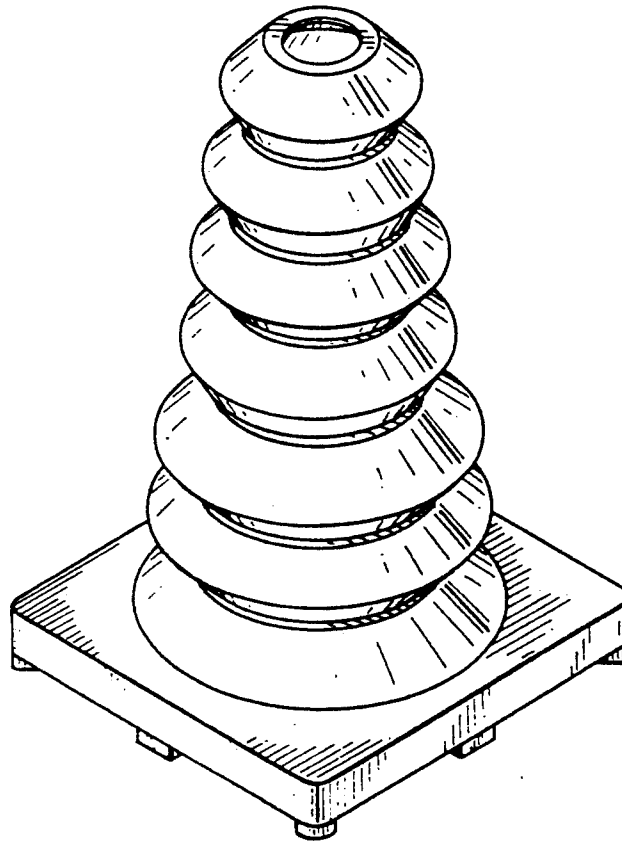


FIG-1

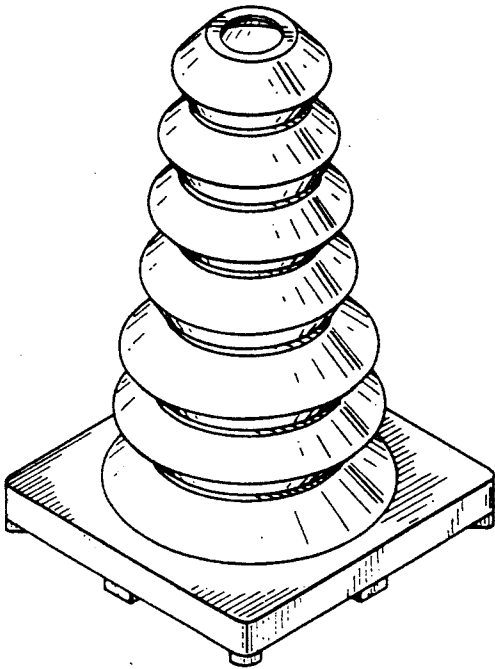


FIG-2

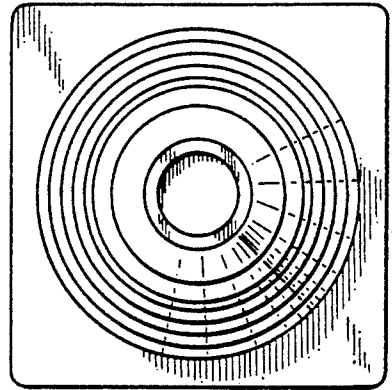


FIG-3

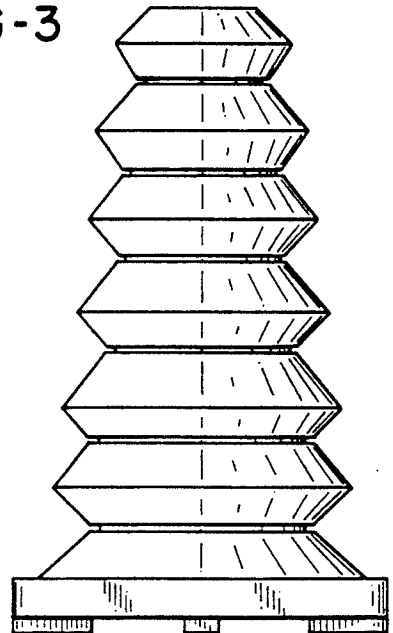


FIG-5

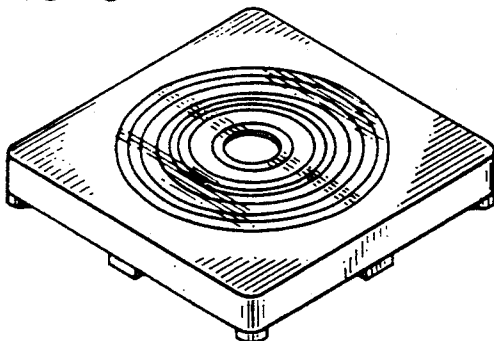


FIG-4

