



(12) Patent specification

(10) SE 539 387 C2

(21) Patent application number:	1551184-3	(51) Int.Cl.:	
(45) Grant of patent:	2017-09-12	<b>H01Q 21/08</b>	(2006.01)
(41) Available to the public:	2017-03-16	<b>H01P 1/18</b>	(2006.01)
(22) Filing date:	2015-09-15	<b>H01P 3/06</b>	(2006.01)
(24) Effective date:	2015-09-15	<b>H01P 5/18</b>	(2006.01)
(30) Priority data:	---	<b>H01Q 3/30</b>	(2006.01)

(73) Patentee: CellMax Technologies AB, Box 1236, 164 28 KISTA SE  
 (72) Inventor: Niclas YMAN, EKERÖ SE  
 Dan KARLSSON, SOLLENTUNA SE  
 (74) Agent: GROTH & CO. KB, P.O. Box 6107, 102 32, STOCKHOLM SE  
 (54) Title: Antenna feeding network  
 (56) Cited documents: US 5801600 A · US 20150180135 A1 · WO 2014120062 A1  
 (57) Abstract:

An antenna feeding network (1) for a multi-radiator antenna (2). The feeding network comprises at least one substantially air filled coaxial line (3a, 3b), each comprising a central inner conductor (4a, 4b), an elongated outer conductor (5a, 5b) surrounding the central inner conductor and an elongated rail element (6a, 6b) slideably movably arranged inside the outer conductor. The rail element is longitudinally movable in relation to at least the outer conductor.

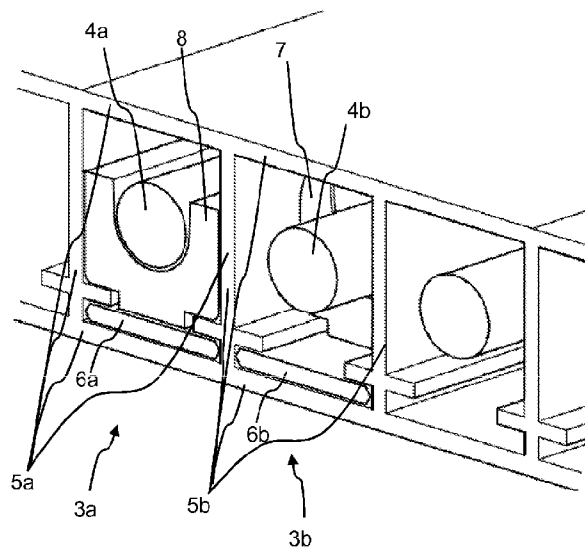


Fig. 4