



(12) **United States Design Patent**  
**Deng**

(10) **Patent No.:** **US D972,791 S**  
(45) **Date of Patent:** **\*\* Dec. 13, 2022**

(54) **PET TRAINING RECEIVER**

D943,844 S \* 2/2022 Li ..... D10/104.1  
D950,170 S \* 4/2022 Li ..... D10/104.1  
2009/0139462 A1\* 6/2009 So ..... A01K 15/021  
119/719

(71) Applicant: **Shenzhen FurryKid Technology co.,  
Ltd, Shenzhen (CN)**

(Continued)

(72) Inventor: **Hao Deng, Shenzhen (CN)**

**FOREIGN PATENT DOCUMENTS**

(\*\*) Term: **15 Years**

CN 305449773 \* 11/2019  
GB 2016520 \* 2/1992

(21) Appl. No.: **29/748,542**

**OTHER PUBLICATIONS**

(22) Filed: **Aug. 31, 2020**

(51) **LOC (13) Cl.** ..... **30-04**

Dog Care Dog Training Collar Receiver, available in Amazon.com, date first available Apr. 30, 2018 [online], [site visited May 3, 2022], Available from the internet URL: <https://www.amazon.com/DOG-CARE-Rechargeable-Adjustable-15lbs-100lbs/dp/B07N7G7Q2Y> (Year: 2018).\*

(52) **U.S. Cl.**

USPC ..... **D30/152**

(58) **Field of Classification Search**

USPC ..... D30/152

CPC .. A01K 15/021; A01K 15/022; A01K 15/023;  
A01K 27/009

See application file for complete search history.

(Continued)

(56) **References Cited**

*Primary Examiner* — Jennifer L Rempfer  
*Assistant Examiner* — Elizabeth Anne Glassberg  
(74) *Attorney, Agent, or Firm* — Runit R. Kanakia

**U.S. PATENT DOCUMENTS**

(57) **CLAIM**

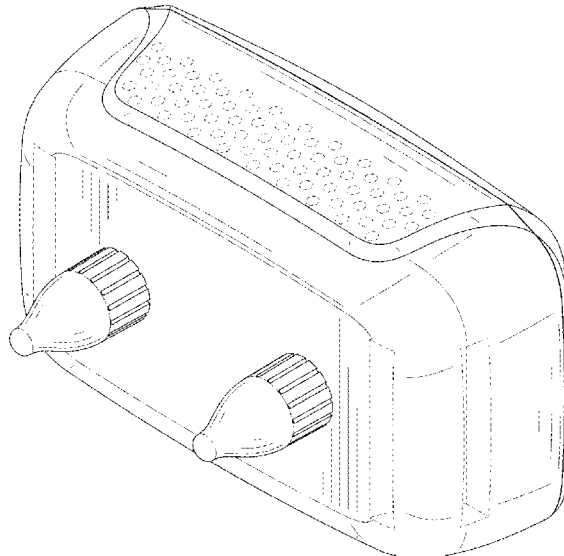
The ornamental design for a pet training receiver, as shown and described.

- D445,352 S \* 7/2001 So ..... D30/199
- D469,029 S \* 1/2003 So ..... D10/104.1
- D478,830 S \* 8/2003 So ..... D30/152
- D482,979 S \* 12/2003 So ..... D10/104.1
- D520,894 S \* 5/2006 Zakharyan ..... D30/199
- D526,590 S \* 8/2006 So ..... D10/104.1
- D657,098 S \* 4/2012 So ..... D30/152
- D706,500 S \* 6/2014 Hu ..... D30/152
- D772,745 S \* 11/2016 Henne ..... D10/70
- D822,922 S \* 7/2018 Wen ..... D30/152
- D828,965 S \* 9/2018 Wen ..... D10/104.1
- D829,120 S \* 9/2018 Mitchell ..... D10/104.1
- D834,769 S \* 11/2018 Wen ..... D10/104.1
- D853,666 S \* 7/2019 Ni ..... D10/104.1
- D870,399 S \* 12/2019 Van Curen ..... D30/152
- D884,994 S \* 5/2020 Ni ..... D10/104.1
- D899,012 S \* 10/2020 Zinn ..... D30/152
- D919,201 S \* 5/2021 Wang ..... D10/104.1
- D925,141 S \* 7/2021 Lai ..... D10/104.1

**DESCRIPTION**

FIG. 1 is a first perspective view of a pet training receiver showing my new design;  
FIG. 2 is a second perspective view thereof;  
FIG. 3 is a front view thereof;  
FIG. 4 is a back view thereof;  
FIG. 5 is a left side view thereof;  
FIG. 6 is a right side view thereof;  
FIG. 7 is a top view thereof; and,  
FIG. 8 is a bottom view thereof.  
The broken lines shown in the drawings depict portions of the pet training receiver in which the design is embodied that form no part of the claimed design.

**1 Claim, 8 Drawing Sheets**



(56)

**References Cited**

U.S. PATENT DOCUMENTS

2015/0040839 A1\* 2/2015 Goetzl ..... A01K 15/021  
119/720

OTHER PUBLICATIONS

Garmin Delta Sport XC Bundle, available in Amazon.com, date first available Mar. 25, 2015 [online], [site visited May 3, 2022], Available from the internet URL: <https://www.amazon.com/Garmin-Delta-Sport-XC-Bundle/dp/B00V8NEV9Y?th=1> (Year: 2015).\*

\* cited by examiner

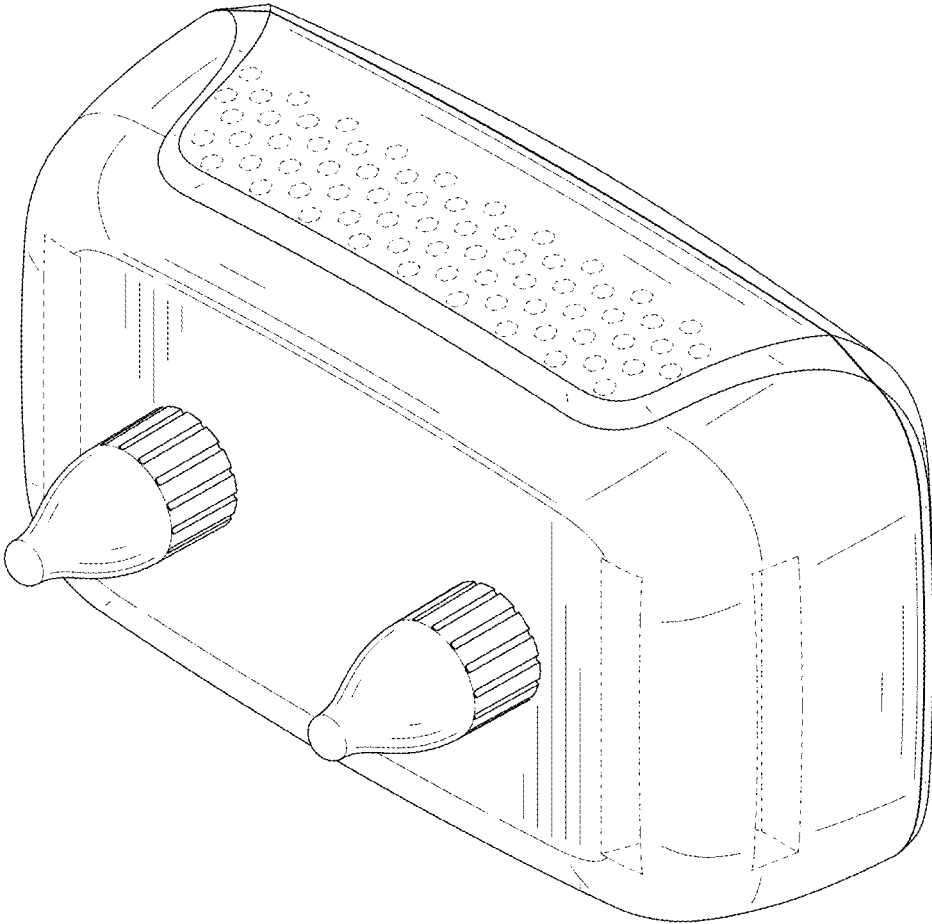


FIG. 1

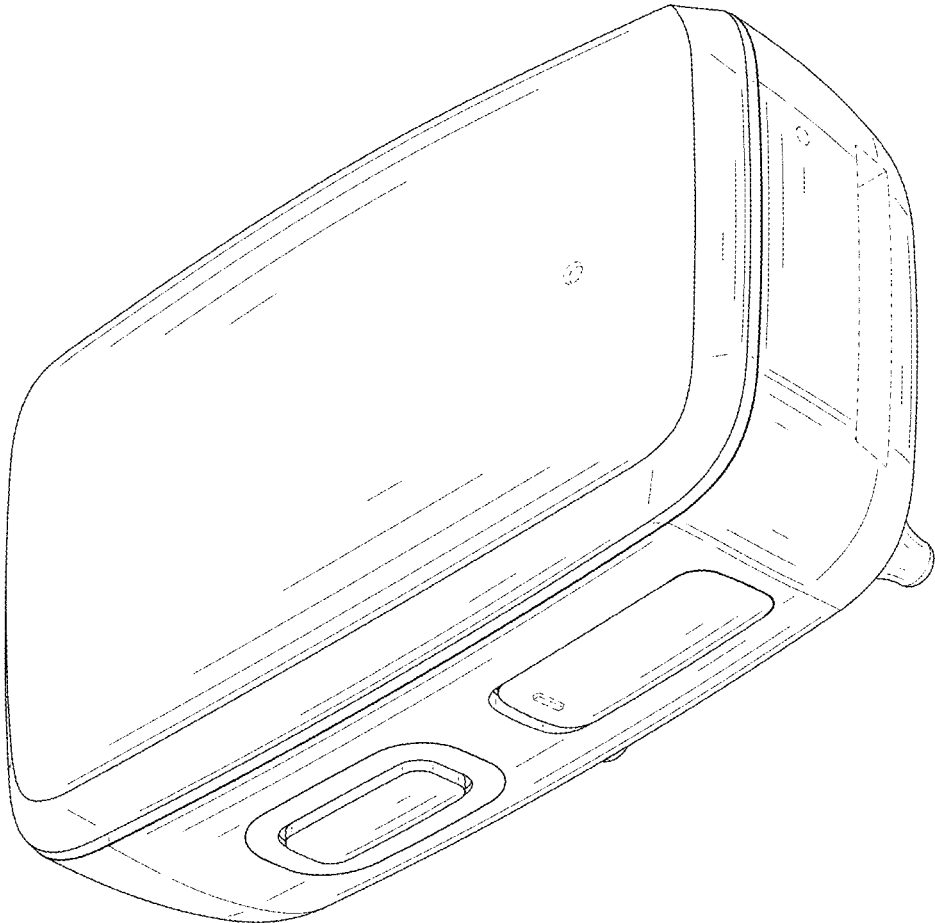


FIG. 2

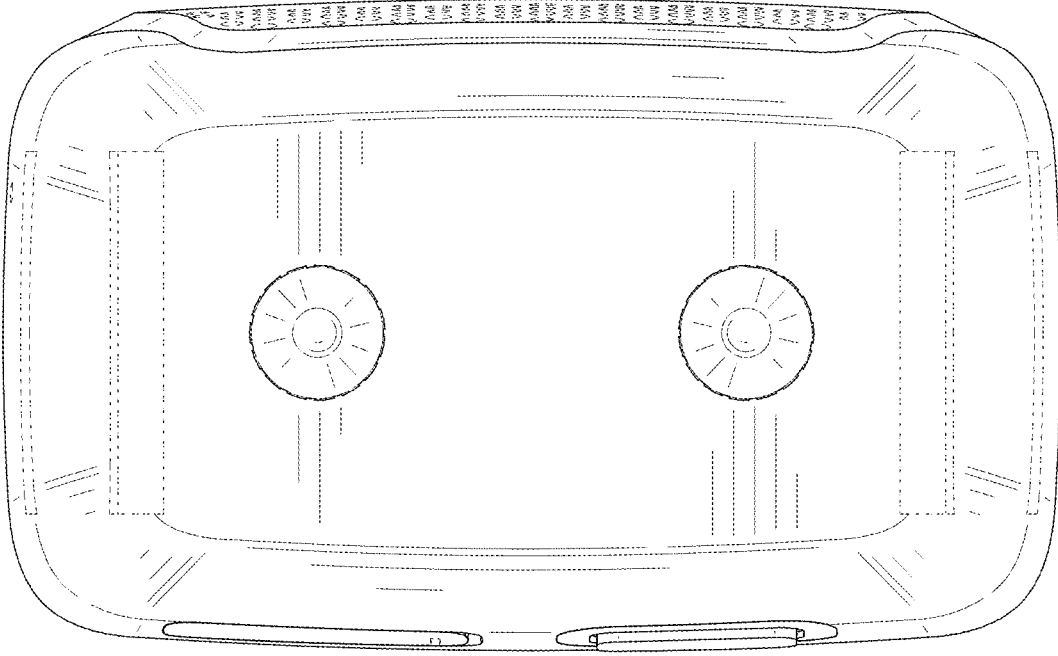


FIG. 3

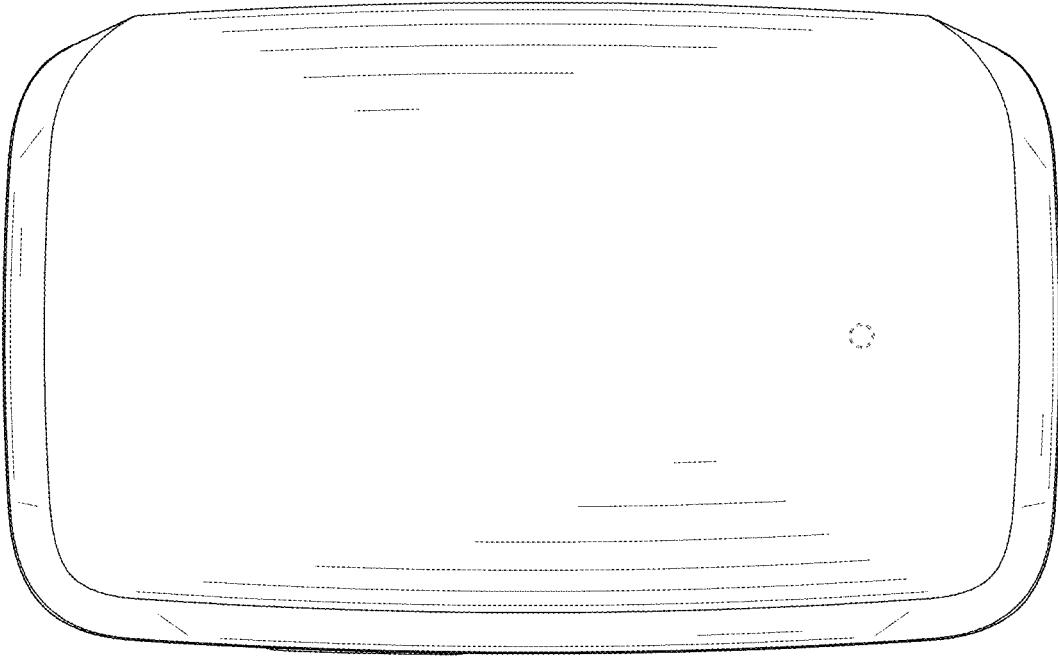


FIG. 4

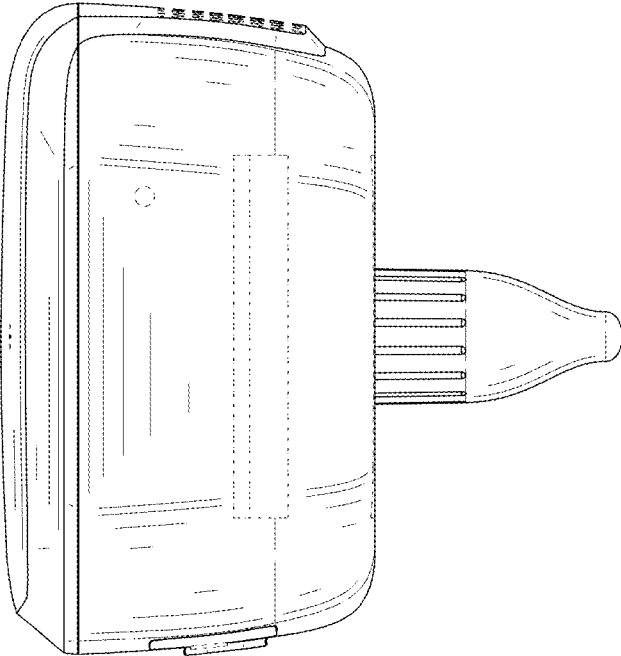


FIG. 5

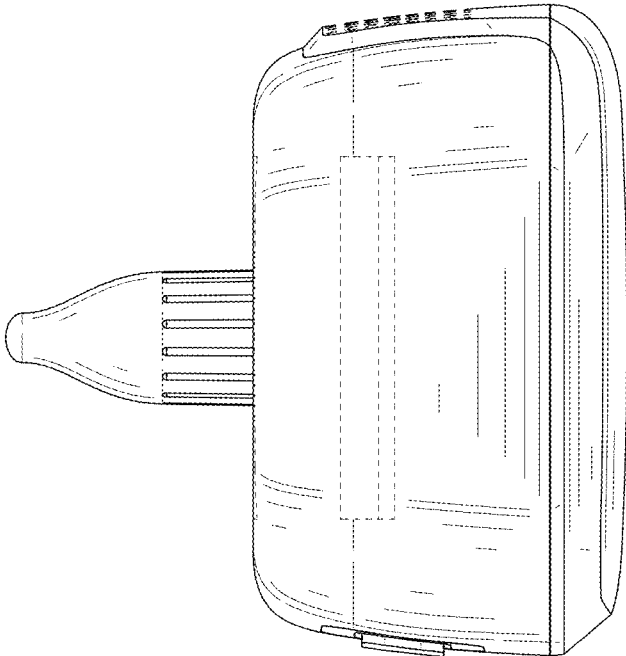


FIG. 6

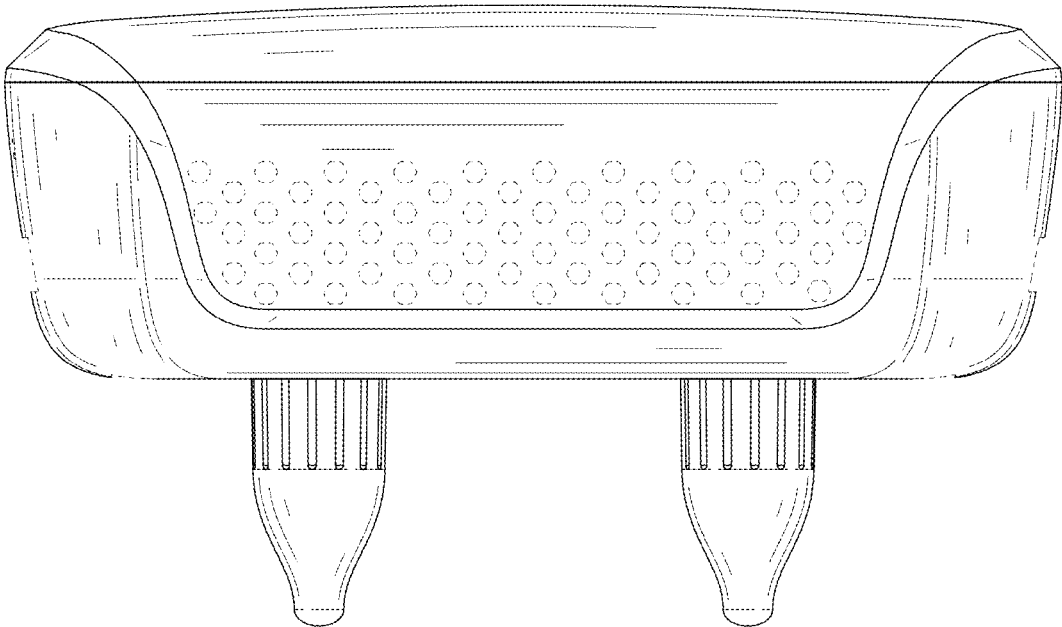


FIG. 7

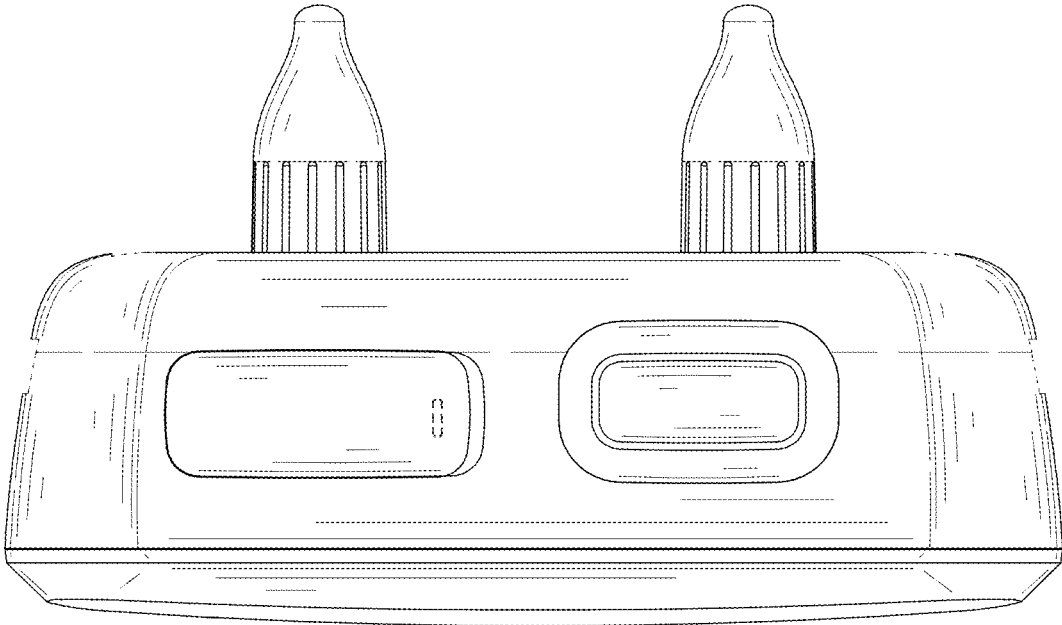


FIG. 8