



(12) **United States Design Patent**
Weisberg

(10) **Patent No.:** **US D899,007 S**
(45) **Date of Patent:** **** Oct. 13, 2020**

- (54) **BIRDHOUSE**
- (71) Applicant: **Thousand Oaks Barrel Co., LLC**,
Manassas, VA (US)
- (72) Inventor: **Bryan Weisberg**, Ashburn, VA (US)
- (**) Term: **15 Years**
- (21) Appl. No.: **29/658,093**
- (22) Filed: **Jul. 27, 2018**
- (51) **LOC (12) Cl.** **30-02**
- (52) **U.S. Cl.**
USPC **D30/110**
- (58) **Field of Classification Search**
USPC D30/108-120, 124-128, 157, 199;
D25/31
CPC A01K 31/08; A01K 31/14; A01K 31/03;
A01K 1/0245
See application file for complete search history.

D432,593 S *	10/2000	Naughton	D21/511
D435,320 S *	12/2000	Fick	D30/110
D470,630 S *	2/2003	Kuelbs	D30/111
D705,997 S *	5/2014	Gil Duarte Pereira	D30/110
D765,921 S *	9/2016	Takaoka	D30/110
D821,656 S *	6/2018	Engelbart	D30/110
D858,004 S *	8/2019	Zbawony	D30/110

* cited by examiner

Primary Examiner — Sheryl Lane
Assistant Examiner — Aula Soroush
(74) *Attorney, Agent, or Firm* — Sheets Law PLLC;
Kendal M. Sheets

(57) **CLAIM**

The ornamental design for a birdhouse, as shown and described.

DESCRIPTION

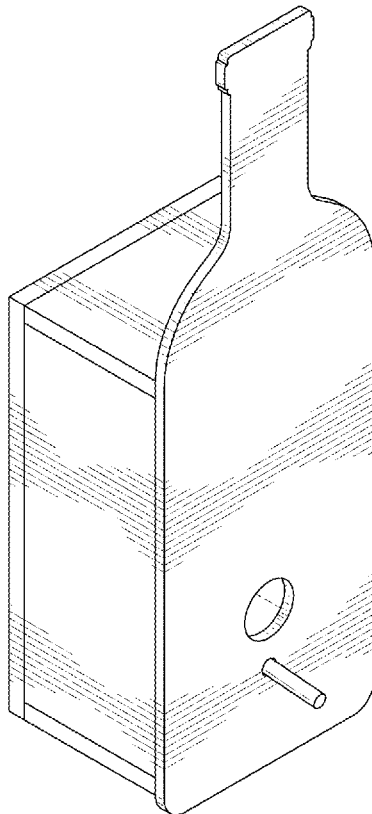
FIG. 1 is a front perspective view of a first embodiment of a birdhouse according to the new design; FIG. 2 is a rear perspective view of the birdhouse of FIG. 1; FIG. 3 is a front view of the birdhouse of FIG. 1; FIG. 4 is a rear view of the birdhouse of FIG. 1; FIG. 5 is a right side view of the birdhouse of FIG. 1; FIG. 6 is a left side view of the birdhouse of FIG. 1; FIG. 7 is a top plan view of the birdhouse of FIG. 1; and, FIG. 8 is a bottom plan view of the birdhouse of FIG. 1. The broken lines in the drawings illustrate portions of the birdhouse that form no part of the claimed design.

1 Claim, 4 Drawing Sheets

(56) **References Cited**

U.S. PATENT DOCUMENTS

4,167,917 A *	9/1979	Noll	A01K 39/014 119/429
D347,302 S *	5/1994	Maple	D30/110
D349,784 S *	8/1994	Burns	D30/110
D358,907 S *	5/1995	Spivey	D30/110
D405,559 S *	2/1999	Johnson	D30/110
D432,278 S *	10/2000	Navratil	D30/110



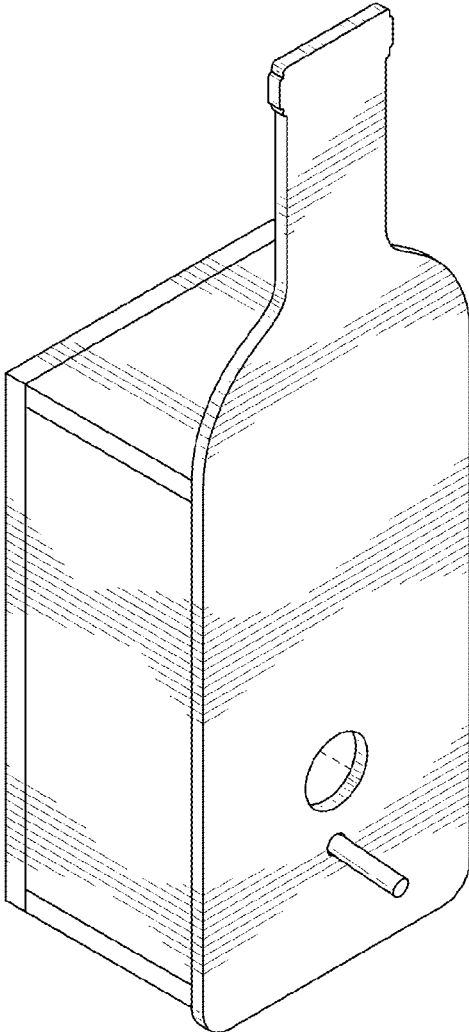


FIG. 1

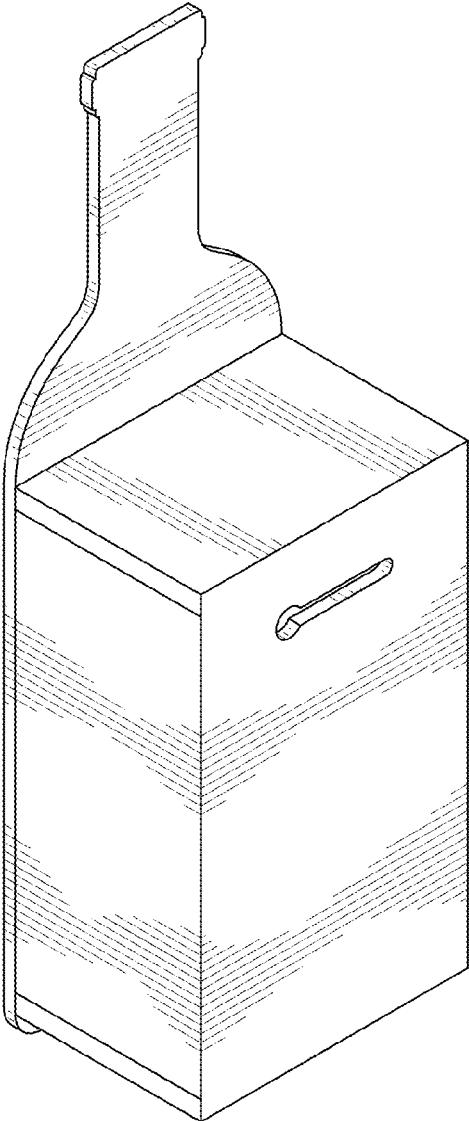


FIG. 2

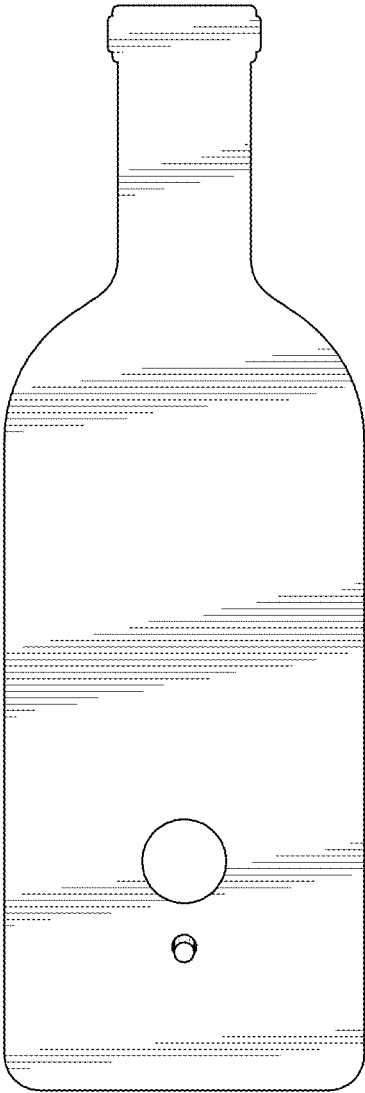


FIG. 3

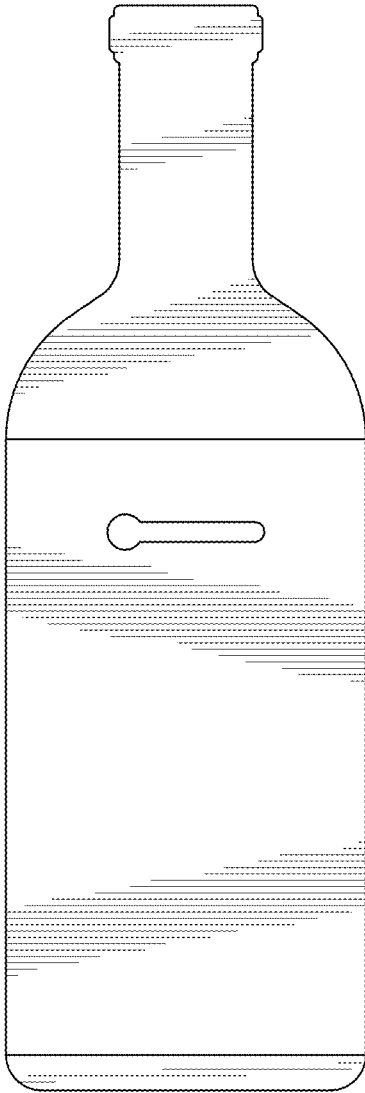


FIG. 4

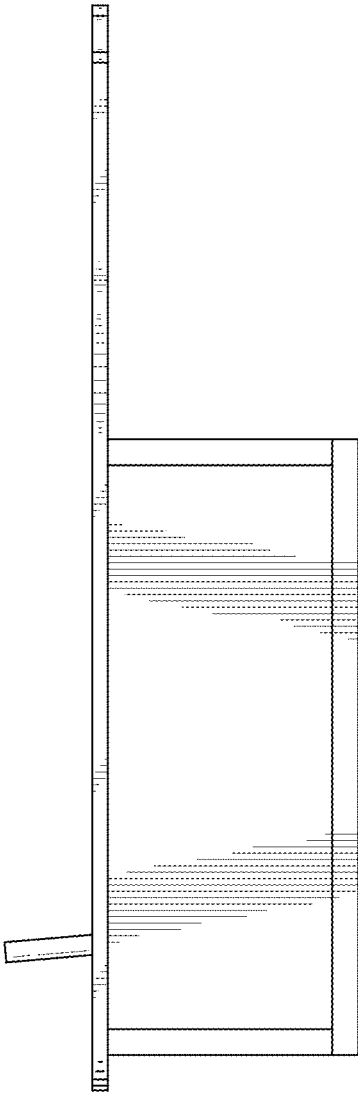


FIG. 5

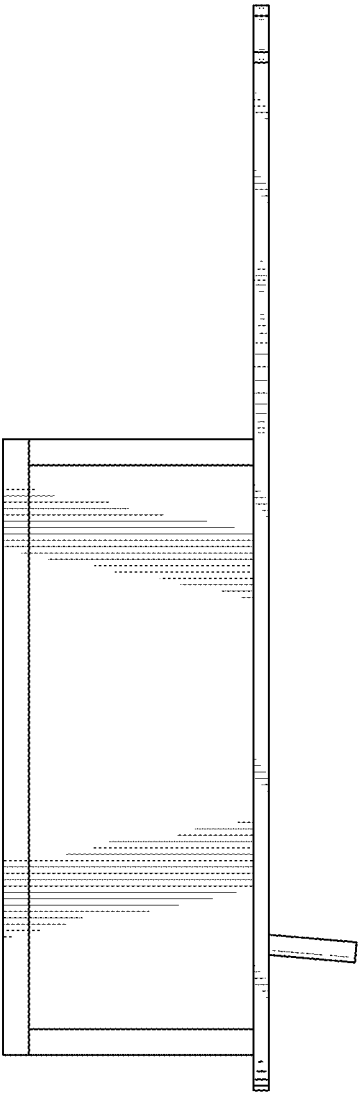


FIG. 6

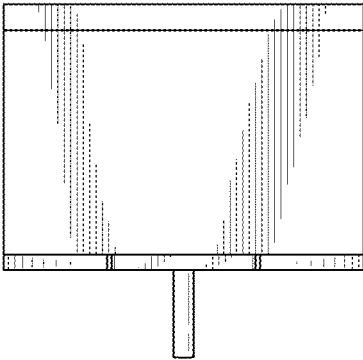


FIG. 7

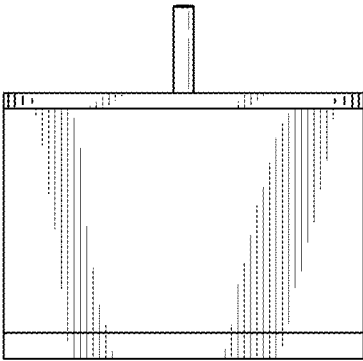


FIG. 8