



US00D740485S

(12) **United States Design Patent**  
**Siuvatti**

(10) **Patent No.:** **US D740,485 S**

(45) **Date of Patent:** **\*\* Oct. 6, 2015**

(54) **LIGHTING COMPONENT**

(71) Applicant: **Ledil Oy**, Salo (FI)

(72) Inventor: **Arsi Siuvatti**, Salo (FI)

(73) Assignee: **Ledil Oy**, Salo (FI)

(\*\*) Term: **14 Years**

(21) Appl. No.: **29/465,674**

(22) Filed: **Aug. 30, 2013**

(30) **Foreign Application Priority Data**

May 16, 2013 (EM) ..... 002238469

(51) **LOC (10) Cl.** ..... **26-99**

(52) **U.S. Cl.**  
USPC ..... **D26/118**

(58) **Field of Classification Search**  
USPC ..... D26/1-4, 24-26, 28, 34, 37-39, 43-45,  
D26/50, 60, 61, 66-74, 85, 88, 89, 93, 94,  
D26/104, 105, 108, 109, 113, 118-125, 138,  
D26/142; 362/3, 4, 8, 145, 147, 150,  
362/249.01-249.05, 296.01, 296.05, 308,  
362/317, 326, 327, 330, 331, 334, 335, 341,  
362/347, 362, 364-366, 368, 370-373,  
362/640-644; D10/106.2, 111, 113.1,  
D10/113.2, 114.1; D11/131, 133, 142-145,  
D11/149, 152-155, 200, 215

See application file for complete search history.

(56) **References Cited**

U.S. PATENT DOCUMENTS

D23,082 S *	2/1894	Jacobs	.....	D25/106
D226,279 S *	2/1973	Eyerly	.....	D11/148
D456,307 S *	4/2002	Fan	.....	D11/152
D460,021 S *	7/2002	Fan	.....	D11/152
D460,717 S *	7/2002	Fan	.....	D11/152
D483,740 S *	12/2003	Yim et al.	.....	D14/216
D601,295 S *	9/2009	Brown	.....	D26/118
D621,089 S *	8/2010	Rashidi	.....	D26/118
8,075,165 B2 *	12/2011	Jiang et al.	.....	362/308
D653,799 S *	2/2012	Baker et al.	.....	D26/138
8,182,110 B2 *	5/2012	Jiang et al.	.....	362/308
8,500,299 B2 *	8/2013	Speidel et al.	.....	362/296.05
D707,876 S *	6/2014	Reed et al.	.....	D26/118

\* cited by examiner

*Primary Examiner* — Cynthia Ramirez

*Assistant Examiner* — Llorellys Martinez-Rivera

(74) *Attorney, Agent, or Firm* — McCormick, Paulding & Huber LLP

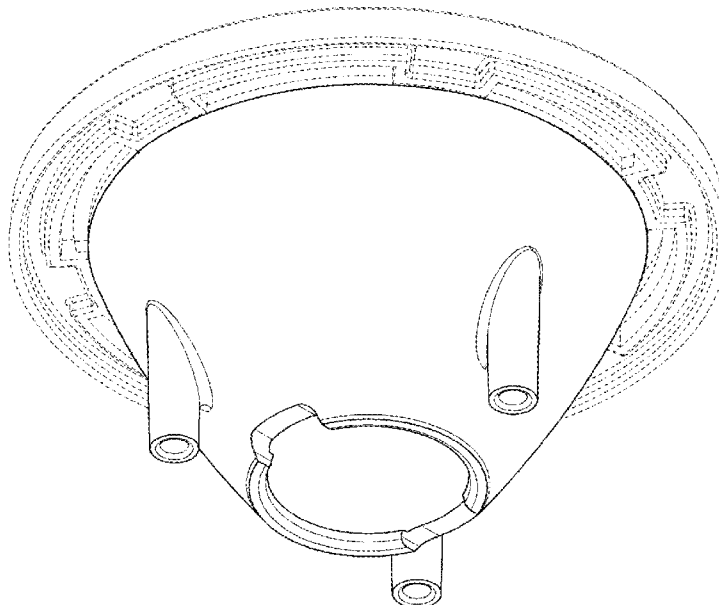
(57) **CLAIM**

The ornamental design for a lighting component, as shown and described.

**DESCRIPTION**

FIG. 1 is a front, bottom, perspective view of a lighting component showing my new design; FIG. 2 is a top view thereof; FIG. 3 is a bottom view thereof; FIG. 4 is a front view thereof; FIG. 5 is a rear view thereof; FIG. 6 is a right side elevation view thereof; and, FIG. 7 is a left side elevation view thereof. The broken line portion of the figure drawings is included to show unclaimed subject matter only and forms no part of the claimed design.

**1 Claim, 3 Drawing Sheets**



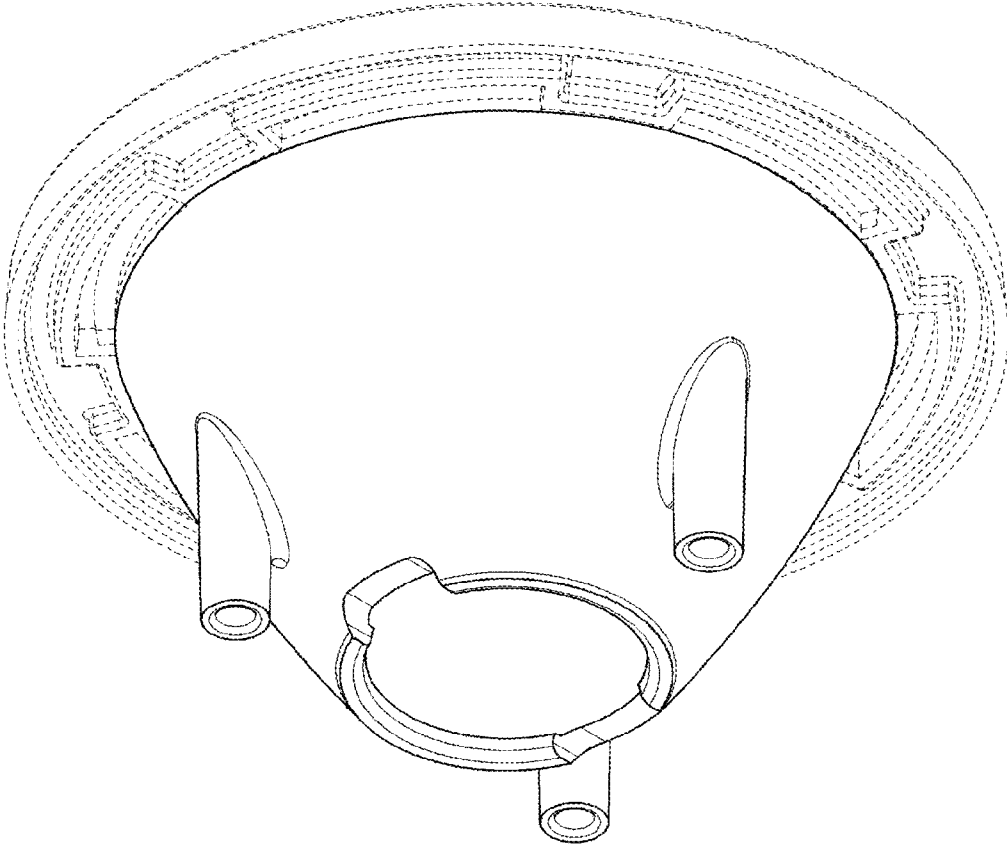


FIG. 1

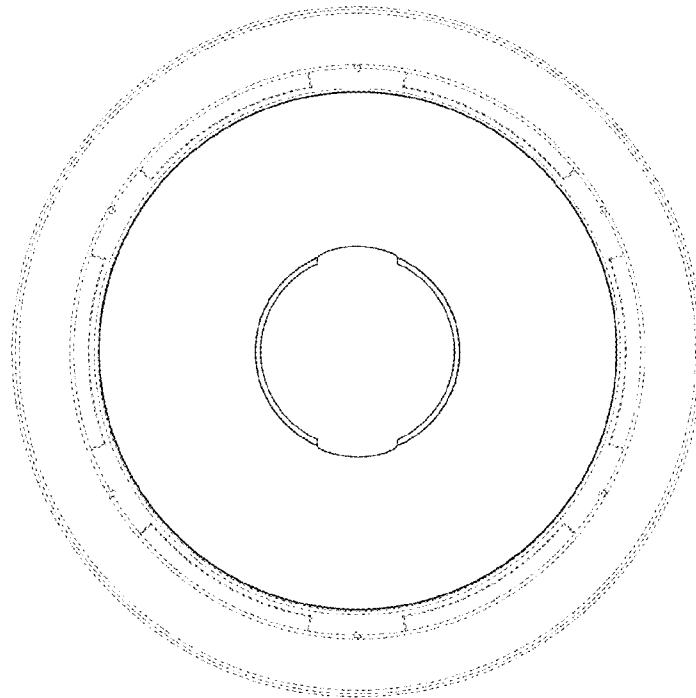


FIG. 2

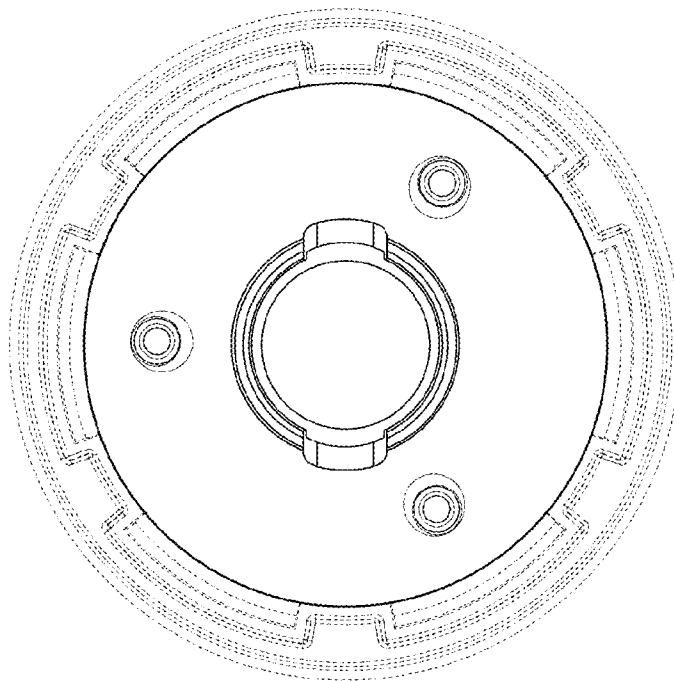


FIG. 3

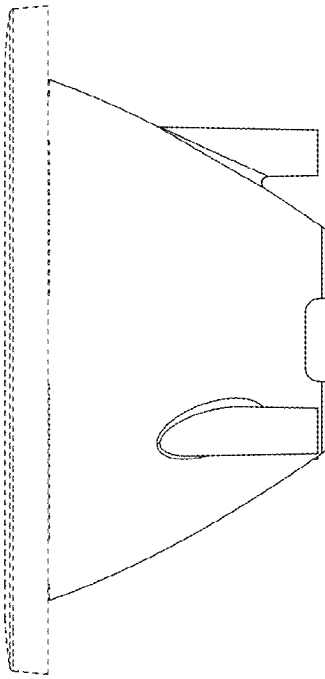


FIG. 5

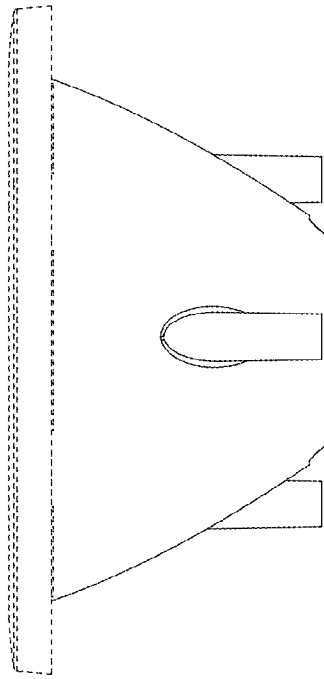


FIG. 7

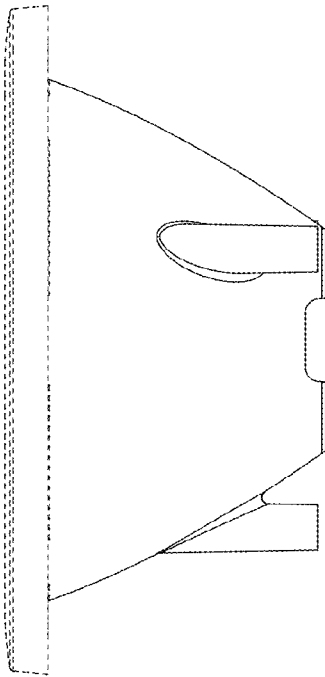


FIG. 4

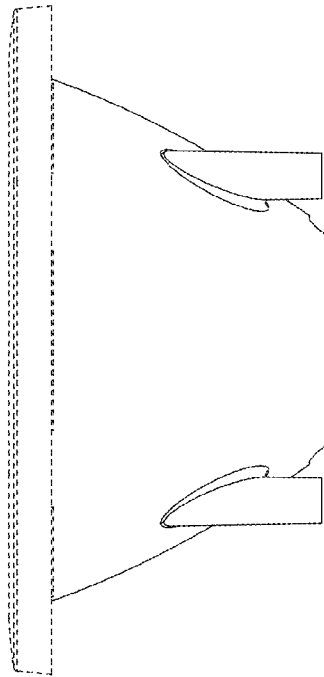


FIG. 6