



US00D341872S

# United States Patent [19]

[11] Patent Number: **Des. 341,872**

**Anderson**

[45] Date of Patent: **\*\* Nov. 30, 1993**

## [54] PAINT SPRAY GUN

[75] Inventor: **Richard P. Anderson**, Bloomington, Minn.

[73] Assignee: **Wagner Spray Tech Corporation**, Minneapolis, Minn.

[\*\*] Term: **14 Years**

[21] Appl. No.: **910,481**

[22] Filed: **Jul. 14, 1992**

[52] U.S. Cl. .... **D23/225**

[58] Field of Search ..... **D8/69; D23/213, 223-230; 239/152-154, 525-528, 308-310, 318, 302, 532, 554, 556**

## [56] References Cited

### U.S. PATENT DOCUMENTS

D. 284,988	8/1986	Powell .....	D23/223
D. 298,451	11/1988	Kille .....	D23/225
D. 326,896	6/1992	McNeely .....	D23/213
4,162,042	7/1979	Mommsen et al. ....	239/526
5,056,719	10/1991	Lauter et al. ....	239/526
5,176,327	1/1993	Peterson .....	239/525

## OTHER PUBLICATIONS

Wagner High Performance Airless Sprayers, dated, Feb. 1992, FIGS. 2 and 3.

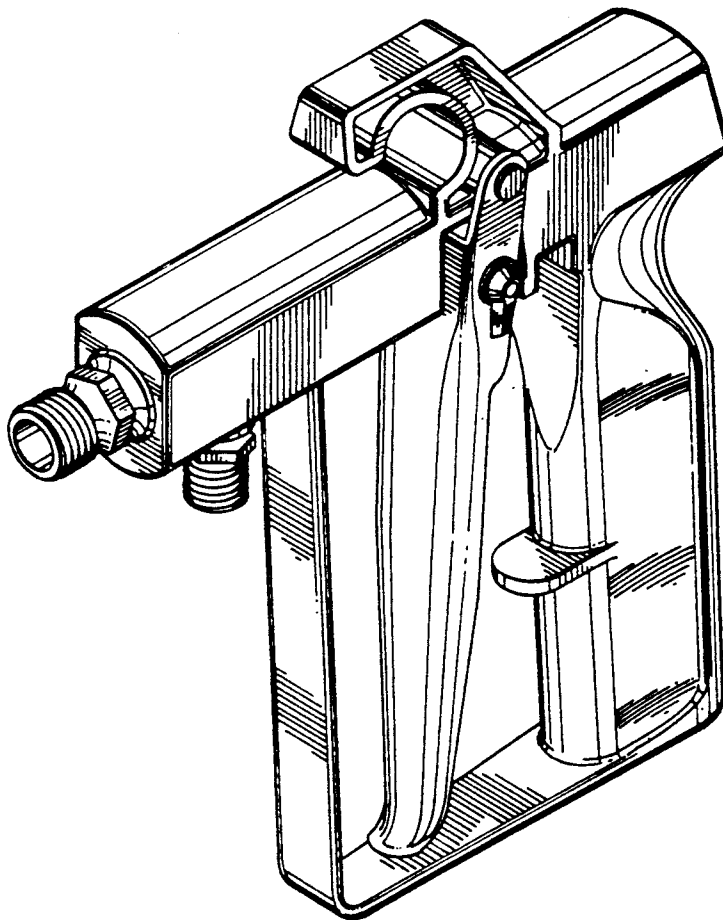
*Primary Examiner*—Nelson C. Holtje  
*Assistant Examiner*—J. H. Musgrove  
*Attorney, Agent, or Firm*—Faegre & Benson

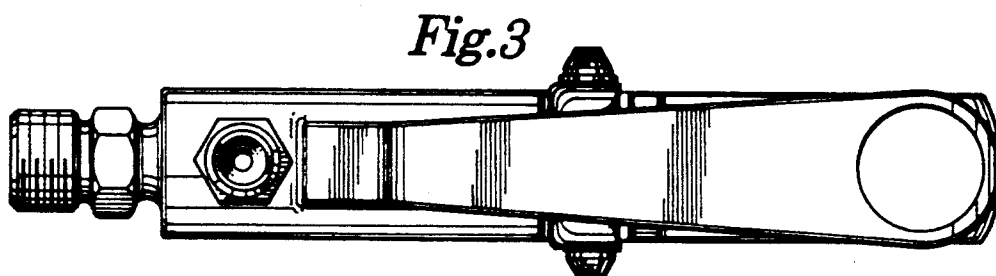
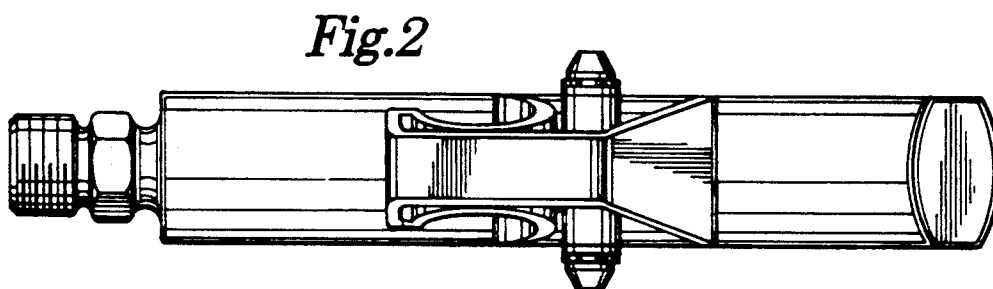
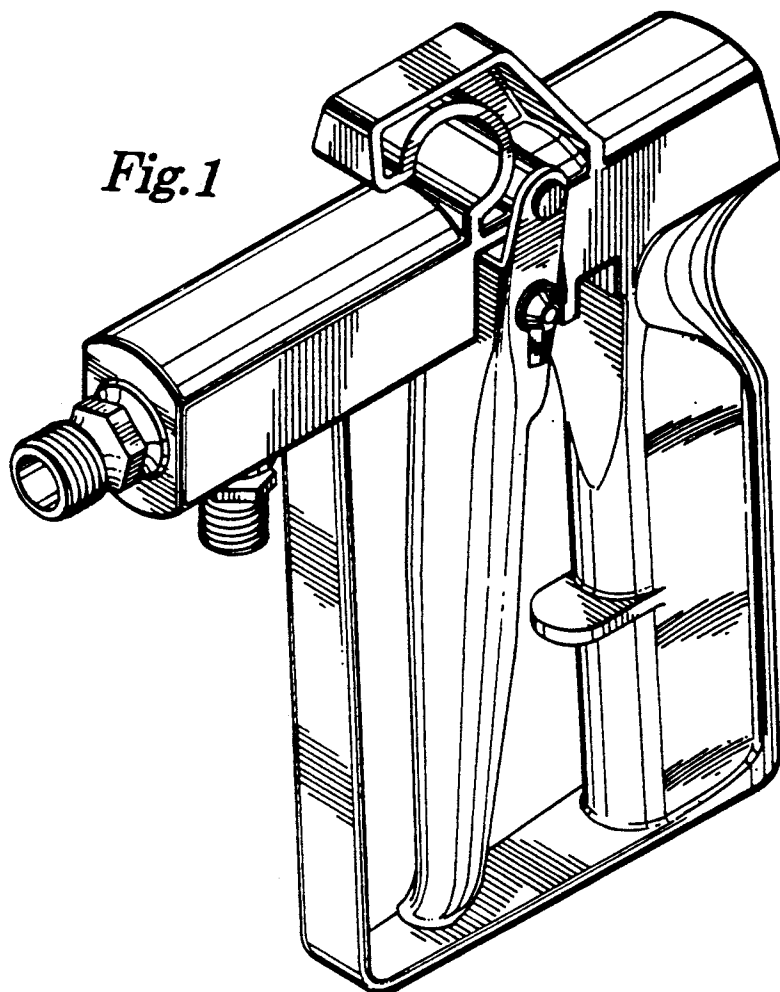
## [57] CLAIM

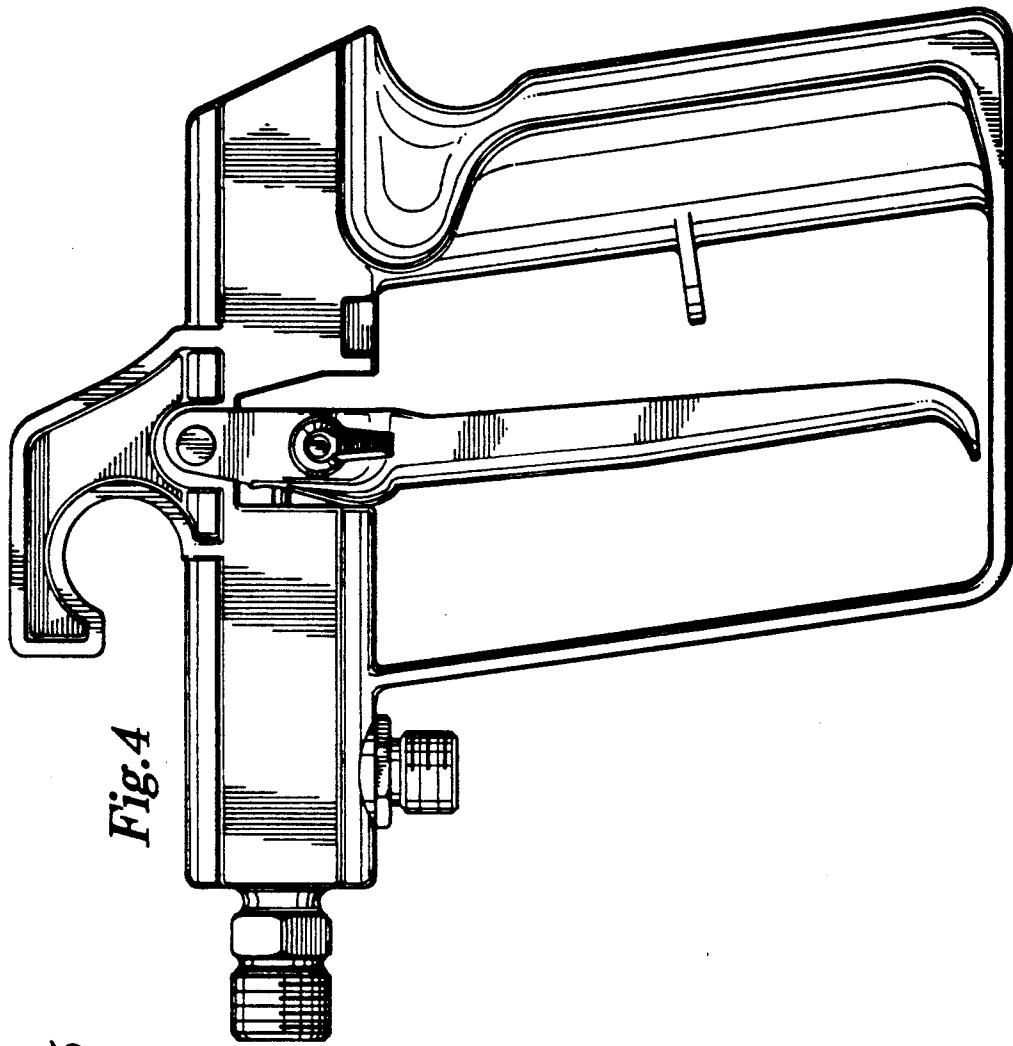
The ornamental design for a paint spray gun, as shown and described.

## DESCRIPTION

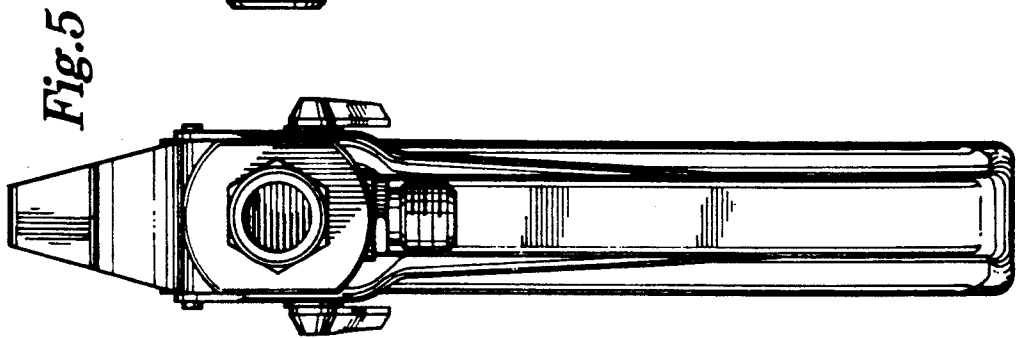
FIG. 1 is a perspective view of the paint spray gun of the present invention;  
FIG. 2 is a top plan view of the paint spray gun of the present invention;  
FIG. 3 is a bottom plan view of the paint spray gun of the present invention;  
FIG. 4 is a left hand side elevation view of the paint spray gun of the present invention;  
FIG. 5 is a front side elevation view of the paint spray gun of the present invention; and,  
FIG. 6 is a rear elevation view of the paint spray gun of the present invention.



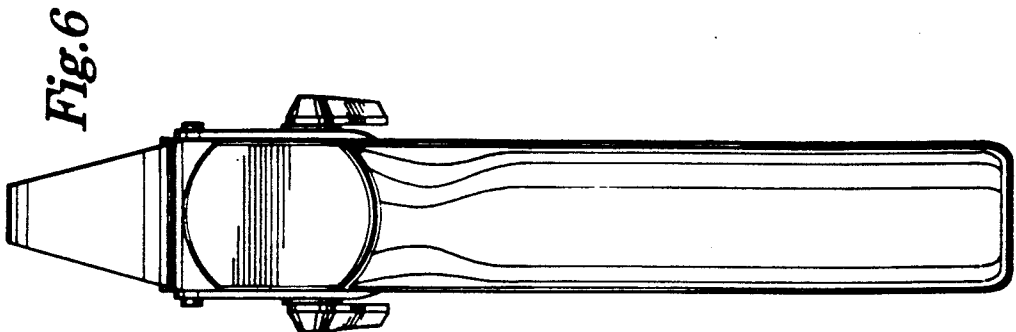




*Fig. 4*



*Fig. 5*



*Fig. 6*