

(19) World Intellectual Property Organization
International Bureau



(43) International Publication Date
10 October 2002 (10.10.2002)

PCT

(10) International Publication Number
WO 02/078533 A3

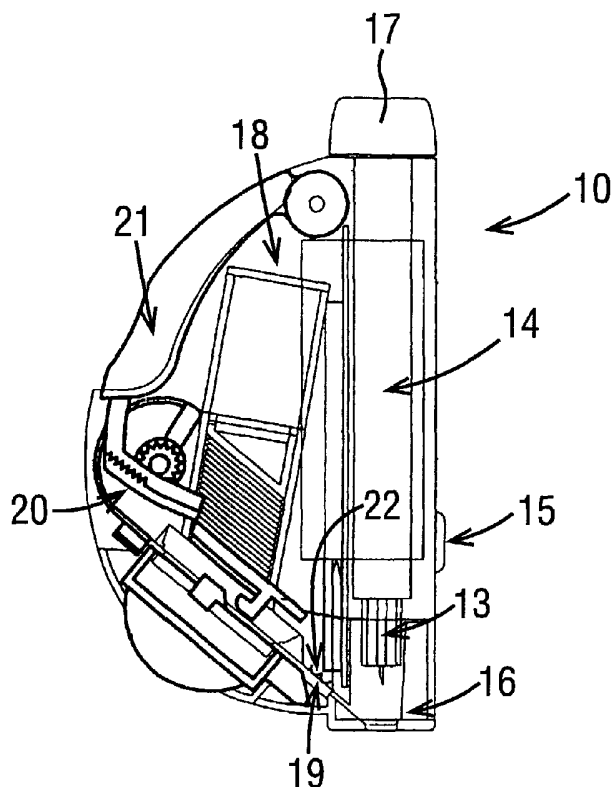
- (51) International Patent Classification⁷: **A61B 5/00**, 5/15
- (21) International Application Number: PCT/GB02/01599
- (22) International Filing Date: 2 April 2002 (02.04.2002)
- (25) Filing Language: English
- (26) Publication Language: English
- (30) Priority Data:
60/280,321 29 March 2001 (29.03.2001) US
- (71) Applicant (for all designated States except US): **INVERNESS MEDICAL LIMITED** [GB/GB]; Beechwood Park North, Inverness IV2 3ED (GB).
- (72) Inventors; and
- (75) Inventors/Applicants (for US only): **MOERMAN,**

Piet [BE/BE]; Ph. De Denterghemlaan 2, B-9831 St. Martens-Latem (BE). **SHAANAN, Gad** [CA/US]; 6048 Cornerstone Court West, Suite E2, San Diego, California 92121 (US). **MAINVILLE, Patrick** [CA/CA]; 10161 Pelloquin, Montreal, Quebec H2C 2J9 (CA). **ORBAN, Benoit** [CA/CA]; 555 Maple, St. Lambert, Quebec J4P 2S6 (CA). **COLEY, Benjamin** [CA/CA]; 1750 Blvd. Rene Leanne, Vimont, Laval, Quebec H7M 5C6 (CA). **FRANCOVICH, Walter** [CA/CA]; 17240 Antoine Faucon, Pierrefonds, Quebec H9J 3S8 (CA). **BODE, Andreas** [DE/DE]; Bessunger Strasse 8, D-64285 Darmstadt (DE). **STIENE, Matthias** [GB/GB]; 66 Crown Drive, Inverness IV2 3QG (GB). **GRIFFITH, Alun** [GB/GB]; 8 Culcacock Road, Inverness IV2 3XQ (GB).

(74) Agents: **MERCER, Christopher, Paul** et al.; Carpmals & Ransford, 43 Bloomsbury Square, London WC1A 2RA (GB).

[Continued on next page]

(54) Title: INTEGRATED SAMPLE TESTING METER



(57) Abstract: An integrated sample testing meter, for instance for measuring blood, comprising a lancing device, an electrochemical sensor and a test strip cartridge disposed in a single modular housing. The test strip cartridge includes a stack of test strips suitable for performing an electrochemical or photometric analysis of a blood sample. The integrated test system automatically dispenses and positions a test strip in proximity to a lancet puncture site, automatically transfers a blood sample to the test strip from the lancet puncture site and automatically analyzes the blood sample after the test strip collects the sample from the puncture site.



WO 02/078533 A3



(81) Designated States (national): AE, AG, AL, AM, AT, AU, AZ, BA, BB, BG, BR, BY, BZ, CA, CH, CN, CO, CR, CU, CZ, DE, DK, DM, DZ, EC, EE, ES, FI, GB, GD, GE, GH, GM, HR, HU, ID, IL, IN, IS, JP, KE, KG, KP, KR, KZ, LC, LK, LR, LS, LT, LU, LV, MA, MD, MG, MK, MN, MW, MX, MZ, NO, NZ, OM, PH, PL, PT, RO, RU, SD, SE, SG, SI, SK, SL, TJ, TM, TN, TR, TT, TZ, UA, UG, US, UZ, VN, YU, ZA, ZM, ZW.

(84) Designated States (regional): ARIPO patent (GH, GM, KE, LS, MW, MZ, SD, SL, SZ, TZ, UG, ZM, ZW), Eurasian patent (AM, AZ, BY, KG, KZ, MD, RU, TJ, TM), European patent (AT, BE, CH, CY, DE, DK, ES, FI, FR,

GB, GR, IE, IT, LU, MC, NL, PT, SE, TR), OAPI patent (BF, BJ, CF, CG, CI, CM, GA, GN, GQ, GW, ML, MR, NE, SN, TD, TG).

Published:

— with international search report

(88) Date of publication of the international search report:

22 May 2003

For two-letter codes and other abbreviations, refer to the "Guidance Notes on Codes and Abbreviations" appearing at the beginning of each regular issue of the PCT Gazette.

INTERNATIONAL SEARCH REPORT

International Application No
PCT/GB 02/01599

A. CLASSIFICATION OF SUBJECT MATTER
IPC 7 A61B5/00 A61B5/15

According to International Patent Classification (IPC) or to both national classification and IPC

B. FIELDS SEARCHED

Minimum documentation searched (classification system followed by classification symbols)
IPC 7 A61B

Documentation searched other than minimum documentation to the extent that such documents are included in the fields searched

Electronic data base consulted during the international search (name of data base and, where practical, search terms used)

EPO-Internal, PAJ

C. DOCUMENTS CONSIDERED TO BE RELEVANT

| Category * | Citation of document, with indication, where appropriate, of the relevant passages | Relevant to claim No. |
|------------|---|-----------------------|
| X | DE 198 19 407 A (PRIEBE HENDRIK) 11 November 1999 (1999-11-11) column 2; figures 1,4,5 | 1,57,63, 65 |
| A | US 6 093 156 A (CHAMBERS GEOFFREY R ET AL) 25 July 2000 (2000-07-25) column 30; figures 3,4,10 | 1,57,63, 65 |
| A | WO 99 59657 A (NOVONORDISK AS) 25 November 1999 (1999-11-25) page 8, line 18-30; claim 1; figures 4,5 | 1,57,63, 65 |
| A | EP 0 931 507 A (TERUMO CORP) 28 July 1999 (1999-07-28) claim 1; figure 2 | 1,57,63, 65 |
| | --- -/-- | |

Further documents are listed in the continuation of box C.

Patent family members are listed in annex.

* Special categories of cited documents :

- *A* document defining the general state of the art which is not considered to be of particular relevance
- *E* earlier document but published on or after the international filing date
- *L* document which may throw doubts on priority claim(s) or which is cited to establish the publication date of another citation or other special reason (as specified)
- *O* document referring to an oral disclosure, use, exhibition or other means
- *P* document published prior to the international filing date but later than the priority date claimed

- *T* later document published after the international filing date or priority date and not in conflict with the application but cited to understand the principle or theory underlying the invention
- *X* document of particular relevance; the claimed invention cannot be considered novel or cannot be considered to involve an inventive step when the document is taken alone
- *Y* document of particular relevance; the claimed invention cannot be considered to involve an inventive step when the document is combined with one or more other such documents, such combination being obvious to a person skilled in the art.
- *&* document member of the same patent family

Date of the actual completion of the international search

29 January 2003

Date of mailing of the international search report

06/02/2003

Name and mailing address of the ISA
European Patent Office, P.B. 5818 Patentlaan 2
NL - 2280 HV Rijswijk
Tel. (+31-70) 340-2040, Tx. 31 651 epo nl,
Fax: (+31-70) 340-3016

Authorized officer

Bernas, Y

INTERNATIONAL SEARCH REPORT

International Application No
 PCT/GB 02/01599

C.(Continuation) DOCUMENTS CONSIDERED TO BE RELEVANT

| Category ° | Citation of document, with indication, where appropriate, of the relevant passages | Relevant to claim No. |
|------------|--|-----------------------|
| A | PATENT ABSTRACTS OF JAPAN vol. 2000, no. 07, 29 September 2000 (2000-09-29) & JP 2000 116626 A (KDK CORP), 25 April 2000 (2000-04-25) abstract ----- | 1 |

INTERNATIONAL SEARCH REPORT

 In International Application No
 PCT/GB 02/01599

| Patent document cited in search report | | Publication date | Patent family member(s) | Publication date |
|--|---|------------------|-------------------------|------------------|
| DE 19819407 | A | 11-11-1999 | DE 19819407 A1 | 11-11-1999 |
| US 6093156 | A | 25-07-2000 | US 6063039 A | 16-05-2000 |
| | | | US 6306104 B1 | 23-10-2001 |
| | | | US 2002169393 A1 | 14-11-2002 |
| | | | AU 736675 B2 | 02-08-2001 |
| | | | AU 5897498 A | 29-06-1998 |
| | | | CN 1262606 A | 09-08-2000 |
| | | | EP 1120084 A1 | 01-08-2001 |
| | | | EP 1112717 A1 | 04-07-2001 |
| | | | EP 1112718 A1 | 04-07-2001 |
| | | | EP 1120085 A1 | 01-08-2001 |
| | | | EP 0946122 A2 | 06-10-1999 |
| | | | JP 2001515377 T | 18-09-2001 |
| | | | JP 2001346781 A | 18-12-2001 |
| | | | NO 992730 A | 26-07-1999 |
| | | | WO 9824366 A2 | 11-06-1998 |
| | | | US 6283926 B1 | 04-09-2001 |
| | | | US 2001031931 A1 | 18-10-2001 |
| | | | US 6206841 B1 | 27-03-2001 |
| | | | US 6071251 A | 06-06-2000 |
| | | | US 6071249 A | 06-06-2000 |
| | | | US 6027459 A | 22-02-2000 |
| WO 9959657 | A | 25-11-1999 | AU 748281 B2 | 30-05-2002 |
| | | | AU 3810499 A | 06-12-1999 |
| | | | BR 9911051 A | 06-02-2001 |
| | | | CN 1301184 T | 27-06-2001 |
| | | | WO 9959657 A1 | 25-11-1999 |
| | | | EP 1079876 A1 | 07-03-2001 |
| | | | HU 0102074 A2 | 28-10-2001 |
| | | | JP 2002515302 T | 28-05-2002 |
| | | | NO 20005815 A | 16-01-2001 |
| | | | PL 344305 A1 | 22-10-2001 |
| | | | TW 477685 B | 01-03-2002 |
| | | | US 6302855 B1 | 16-10-2001 |
| | | | US 2002013522 A1 | 31-01-2002 |
| EP 0931507 | A | 28-07-1999 | JP 11206742 A | 03-08-1999 |
| | | | JP 2000014662 A | 18-01-2000 |
| | | | JP 2000116768 A | 25-04-2000 |
| | | | EP 0931507 A1 | 28-07-1999 |
| | | | SG 89273 A1 | 18-06-2002 |
| | | | US 6261245 B1 | 17-07-2001 |
| JP 2000116626 | A | 25-04-2000 | NONE | |