



US00D511693S

(12) **United States Design Patent**
Ma

(10) **Patent No.:** **US D511,693 S**

(45) **Date of Patent:** **** Nov. 22, 2005**

(54) **SWIVELLING CLOCK**

(75) **Inventor:** **Evan Ma, Kwai Chung (HK)**

(73) **Assignee:** **Good Fortune Electronics (HK) Ltd.,
New Territories (HK)**

(**) **Term:** **14 Years**

(21) **Appl. No.:** **29/217,544**

(22) **Filed:** **Nov. 19, 2004**

(51) **LOC (8) Cl.** **10-01**

(52) **U.S. Cl.** **D10/23**

(58) **Field of Search** D10/1-29, 40,
D10/128; 368/276-278, 285, 10, 316, 317

(56) **References Cited**

U.S. PATENT DOCUMENTS

D75,623 S	*	6/1928	Herbermann	D10/23
D319,589 S	*	9/1991	Unruh et al.	D10/23
D335,633 S	*	5/1993	Wada	D10/28
D343,798 S	*	2/1994	Peersmann	D10/23

D361,040 S	*	8/1995	Shinozaki	D10/23
D361,519 S	*	8/1995	Inora	D10/18
D473,145 S	*	4/2003	Chang	D10/2
D475,930 S	*	6/2003	Chang	D10/1

* cited by examiner

Primary Examiner—Lucy Lieberman

(74) *Attorney, Agent, or Firm*—Rabin & Berdo, P.C.

(57) **CLAIM**

The ornamental design for a swivelling clock, as shown and described.

DESCRIPTION

FIG. 1 is a perspective view of a swivelling clock showing my new design;

FIG. 2 is a front view thereof;

FIG. 3 is a rear view thereof;

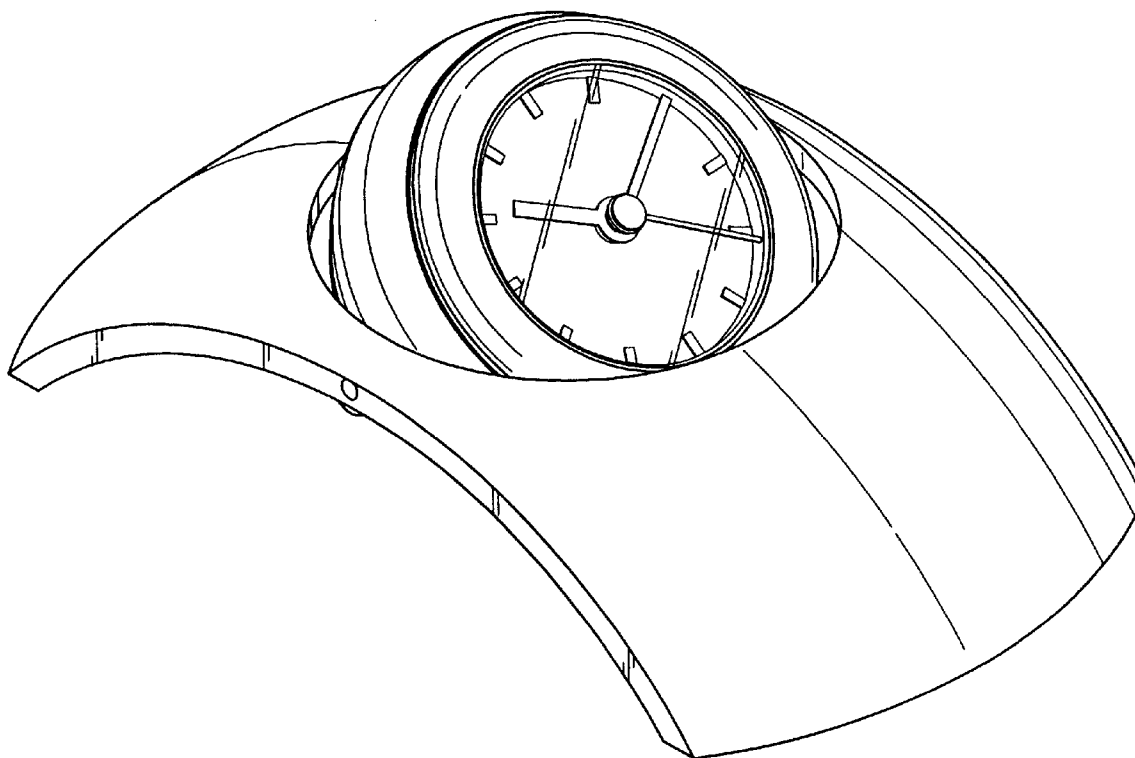
FIG. 4 is a left side view thereof;

FIG. 5 is a right side view thereof;

FIG. 6 is a top plan view thereof; and,

FIG. 7 is a bottom plan view thereof.

1 Claim, 5 Drawing Sheets



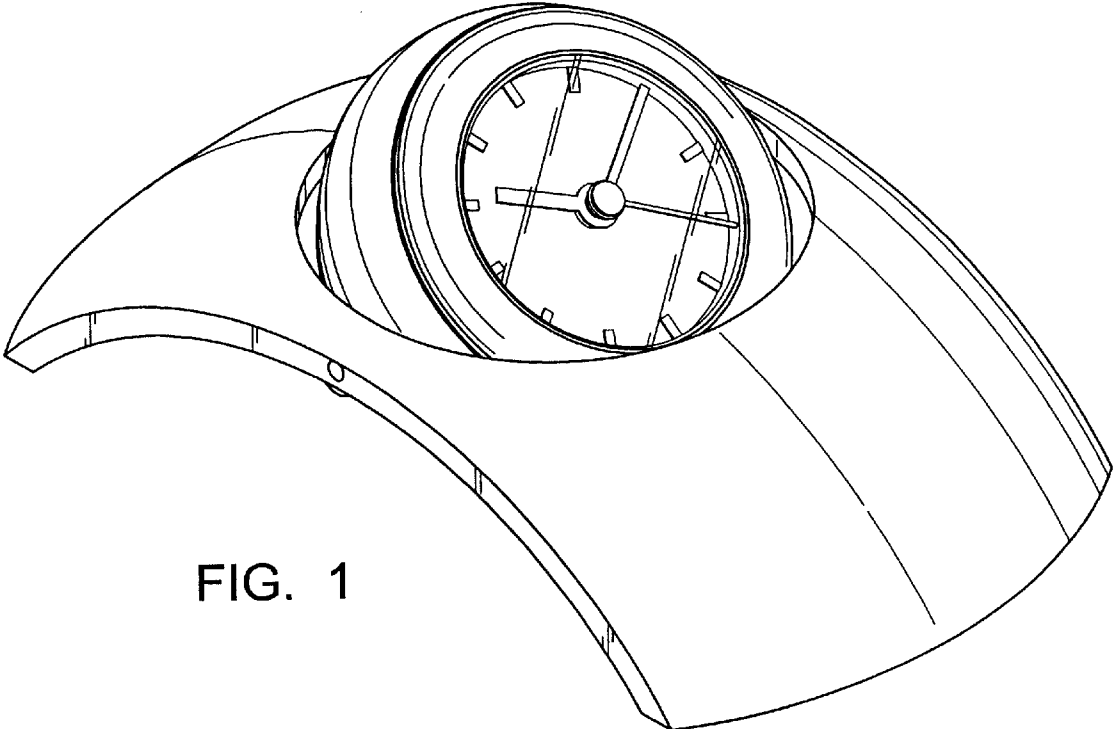


FIG. 1

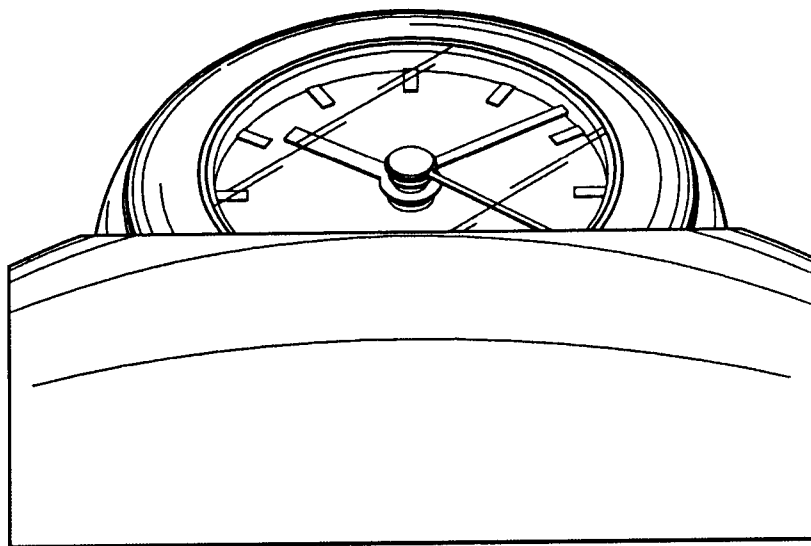


FIG. 2

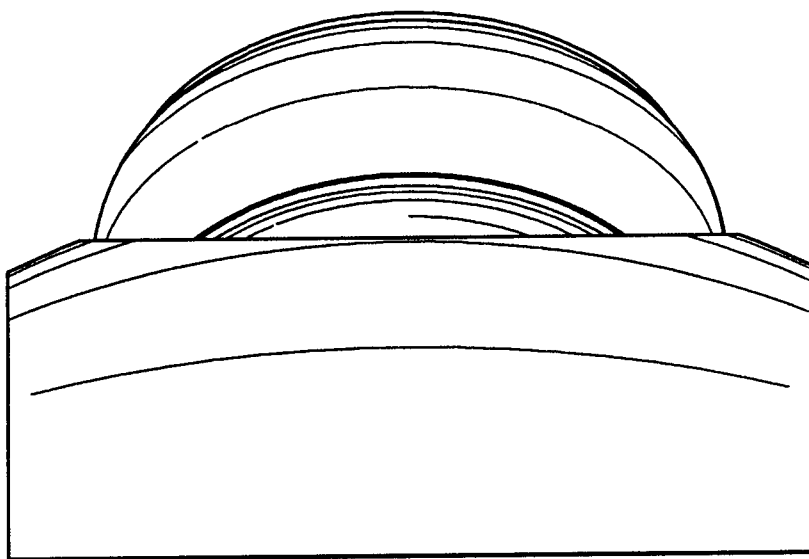


FIG. 3

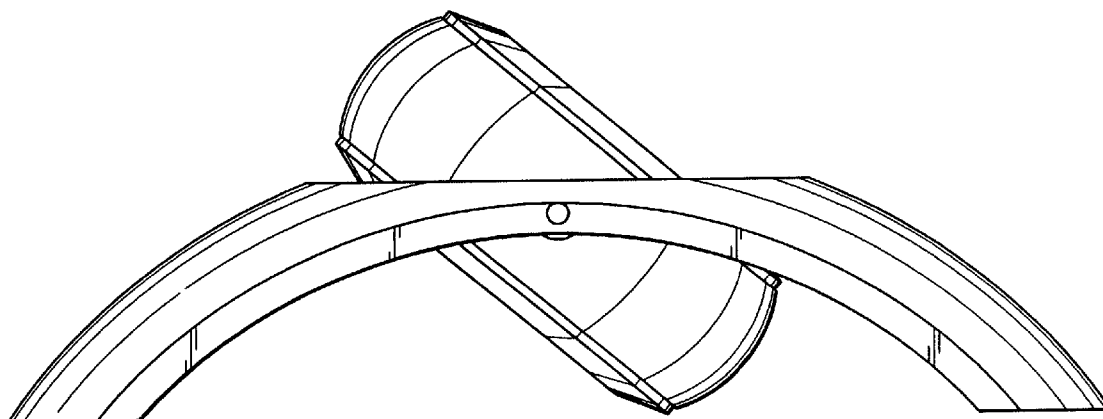


FIG. 4

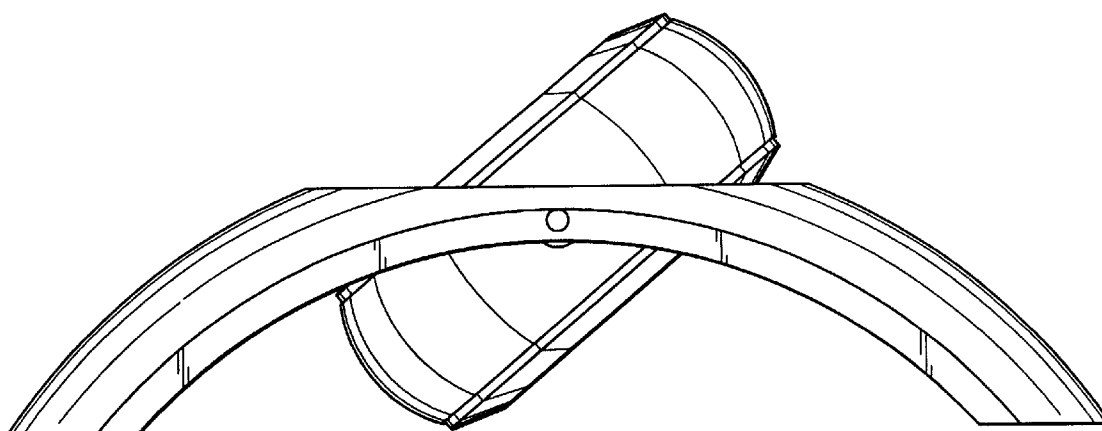


FIG. 5

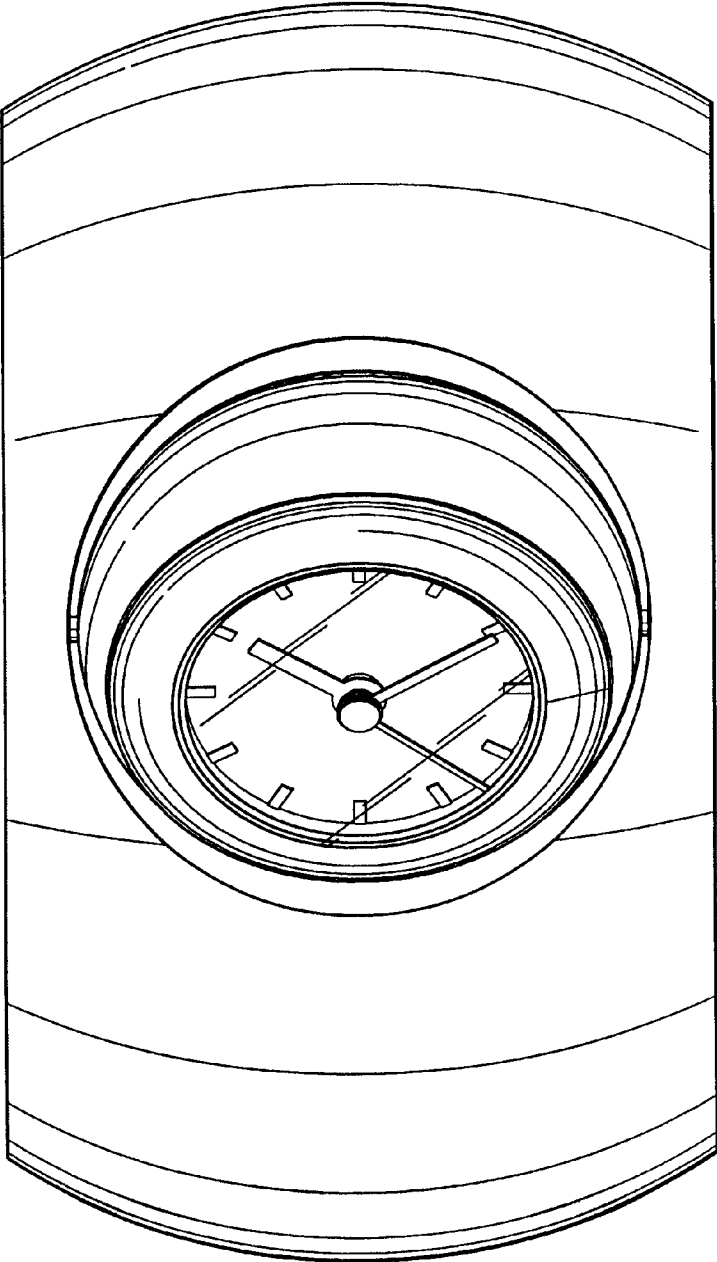


FIG. 6

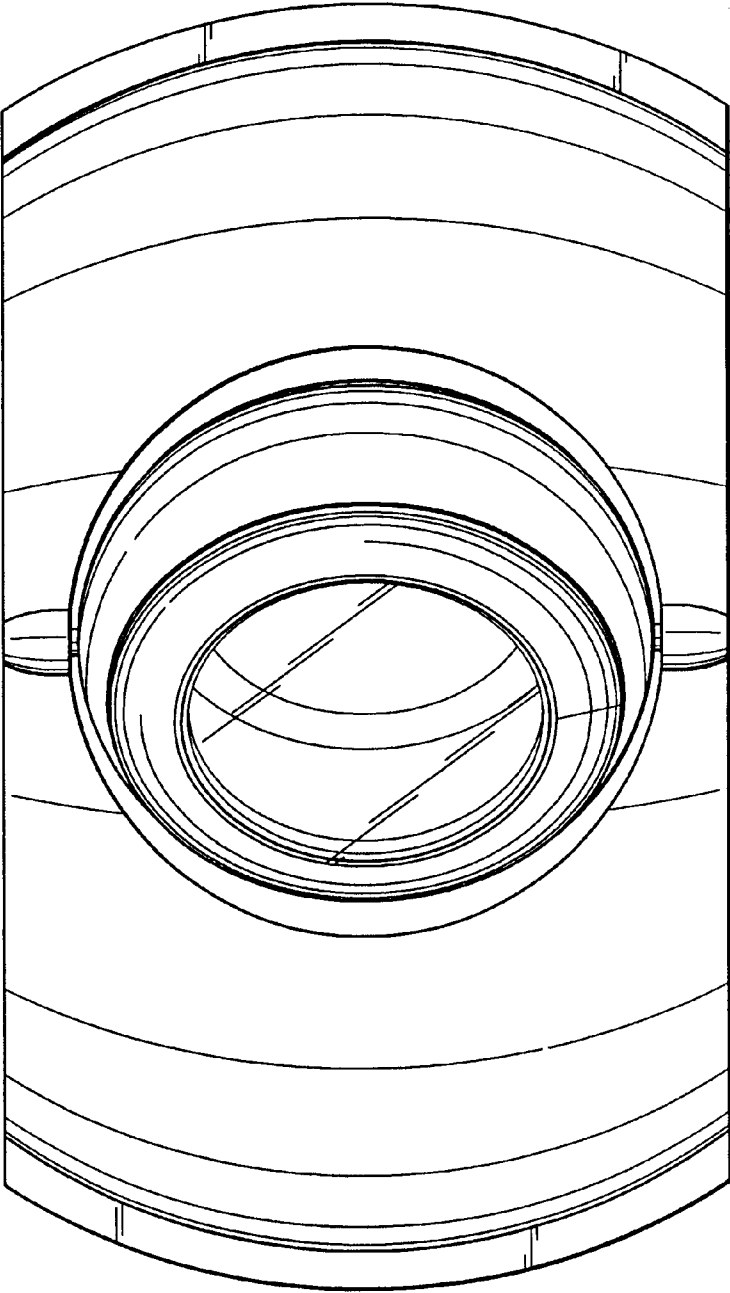


FIG. 7