



US0D1024481S

(12) **United States Design Patent**
Wu

(10) **Patent No.:** **US D1,024,481 S**

(45) **Date of Patent:** **** Apr. 23, 2024**

(54) **CAMP CART**

2023/0094718 A1* 3/2023 Zhou B62B 3/025
280/651

(71) Applicant: **Peiwu Wu**, Anhui (CN)

* cited by examiner

(72) Inventor: **Peiwu Wu**, Anhui (CN)

Primary Examiner — Cynthia Ramirez

Assistant Examiner — Tamara L Hahn

(**) Term: **15 Years**

(57) **CLAIM**

(21) Appl. No.: **29/802,238**

The ornamental design for a camp cart, as shown and described.

(22) Filed: **Aug. 4, 2021**

DESCRIPTION

(51) **LOC (14) Cl.** **12-02**

(52) **U.S. Cl.**

USPC **D34/12**

(58) **Field of Classification Search**

USPC D34/12, 14, 15, 17, 25, 27; D21/534,
D21/536, 425

CPC B62B 3/02; B62B 3/007; B62B 3/022;
B62B 3/025; B62B 2205/06; B62B
2202/52

See application file for complete search history.

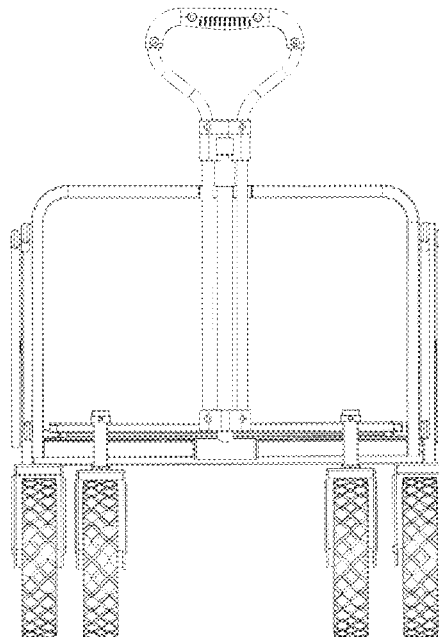
FIG. 1 is an enlarged front elevational view of a camp cart showing the first embodiment of my new design; FIG. 2 is an enlarged rear elevational view thereof; FIG. 3 is a left side view thereof; FIG. 4 is a right side view thereof; FIG. 5 is a top plan view thereof; FIG. 6 is a bottom plan view thereof; FIG. 7 is a perspective view thereof; FIG. 8 is a second perspective view thereof; FIG. 9 is a third perspective view thereof; FIG. 10 is a fourth perspective view thereof; FIG. 11 is an enlarged perspective view in folded state; FIG. 12 is an enlarged front elevational view of a camp cart showing the second embodiment of my new design; FIG. 13 is an enlarged rear elevational view thereof; FIG. 14 is a left side view thereof; FIG. 15 is a right side view thereof; FIG. 16 is a top plan view thereof; FIG. 17 is a bottom plan view thereof; FIG. 18 is a perspective view thereof; FIG. 19 is a second perspective view thereof; FIG. 20 is a third perspective view thereof; FIG. 21 is a fourth perspective view thereof; and, FIG. 22 is an enlarged perspective view in folded state.

(56) **References Cited**

U.S. PATENT DOCUMENTS

D842,575	S	*	3/2019	Yu	D34/12
D855,921	S	*	8/2019	Yu	B62B 3/022 D34/12
D877,442	S	*	3/2020	Ohirko	D34/17
D911,654	S	*	2/2021	Yu	D34/12
D911,657	S	*	2/2021	Yu	D34/27
11,577,766	B2	*	2/2023	Horowitz	B62B 3/02
D1,000,032	S	*	9/2023	Wu	D34/12
D1,000,530	S	*	10/2023	Wu	D34/12
D1,009,397	S	*	12/2023	Wu	D34/12
2018/0154916	A1	*	6/2018	Yu	B62B 3/027
2021/0061331	A1	*	3/2021	Wu	B62B 3/022
2023/0042092	A1	*	2/2023	Yang	B62B 5/065
2023/0049293	A1	*	2/2023	Wu	B62B 3/007

1 Claim, 22 Drawing Sheets



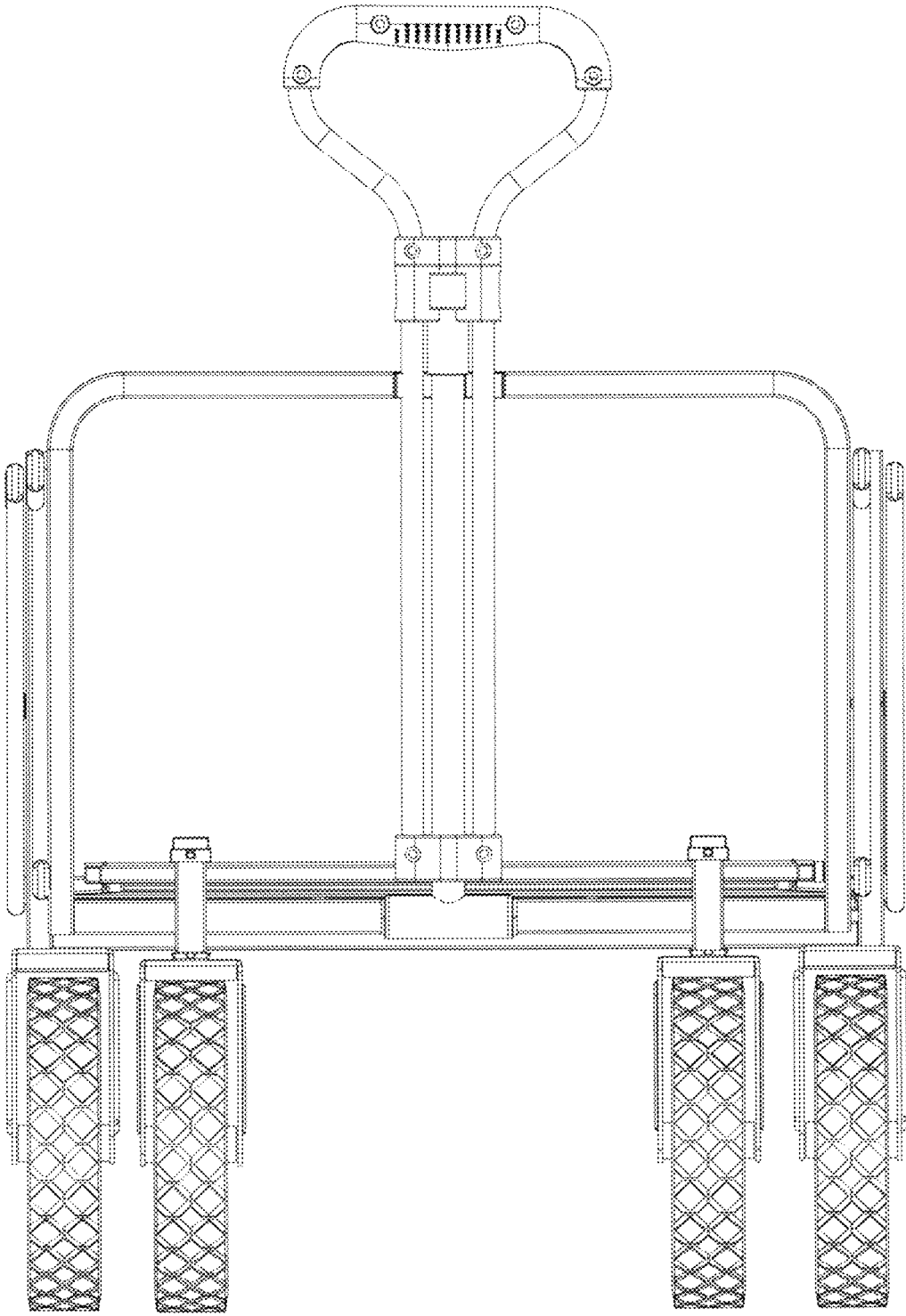


FIG. 1

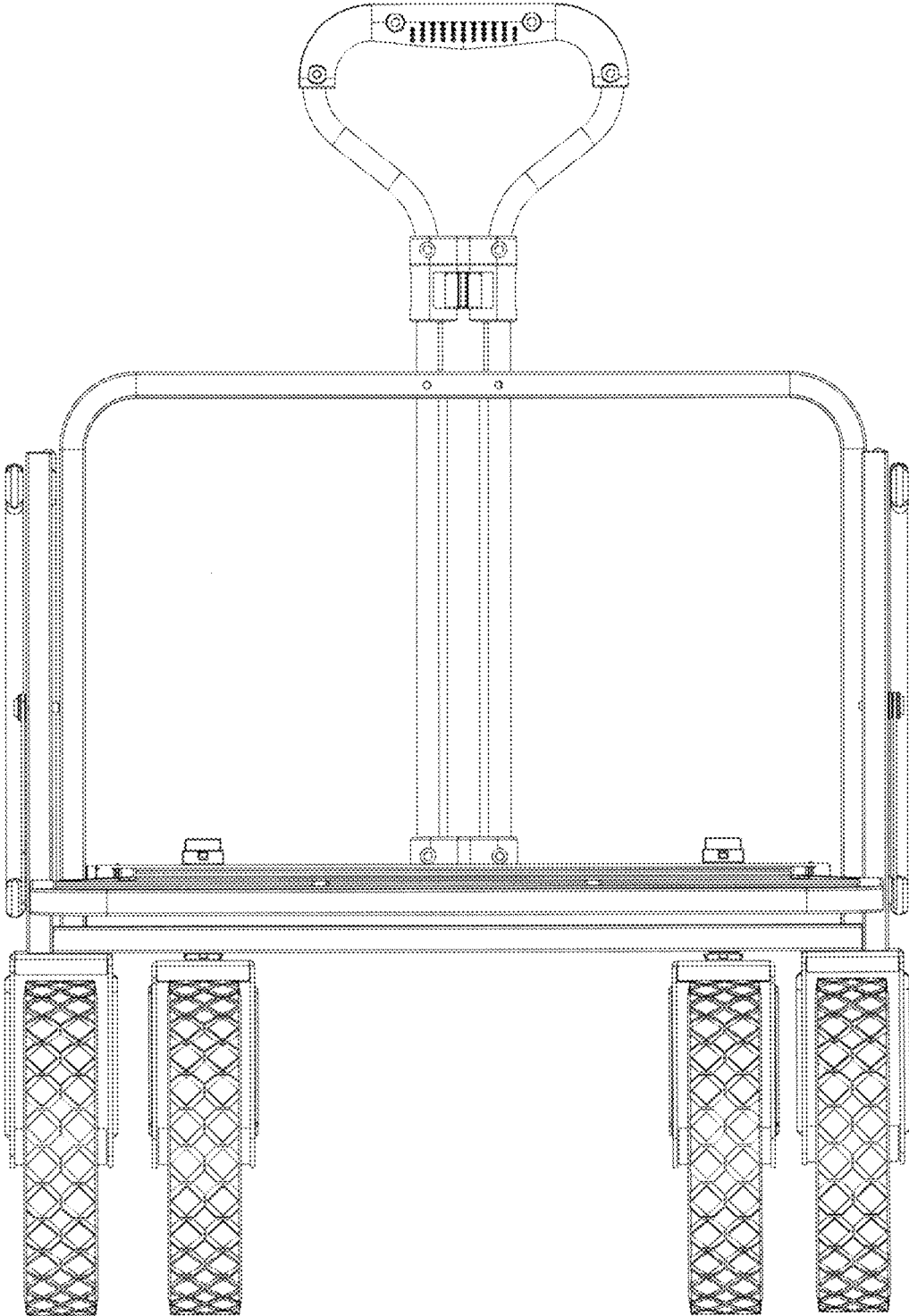


FIG. 2

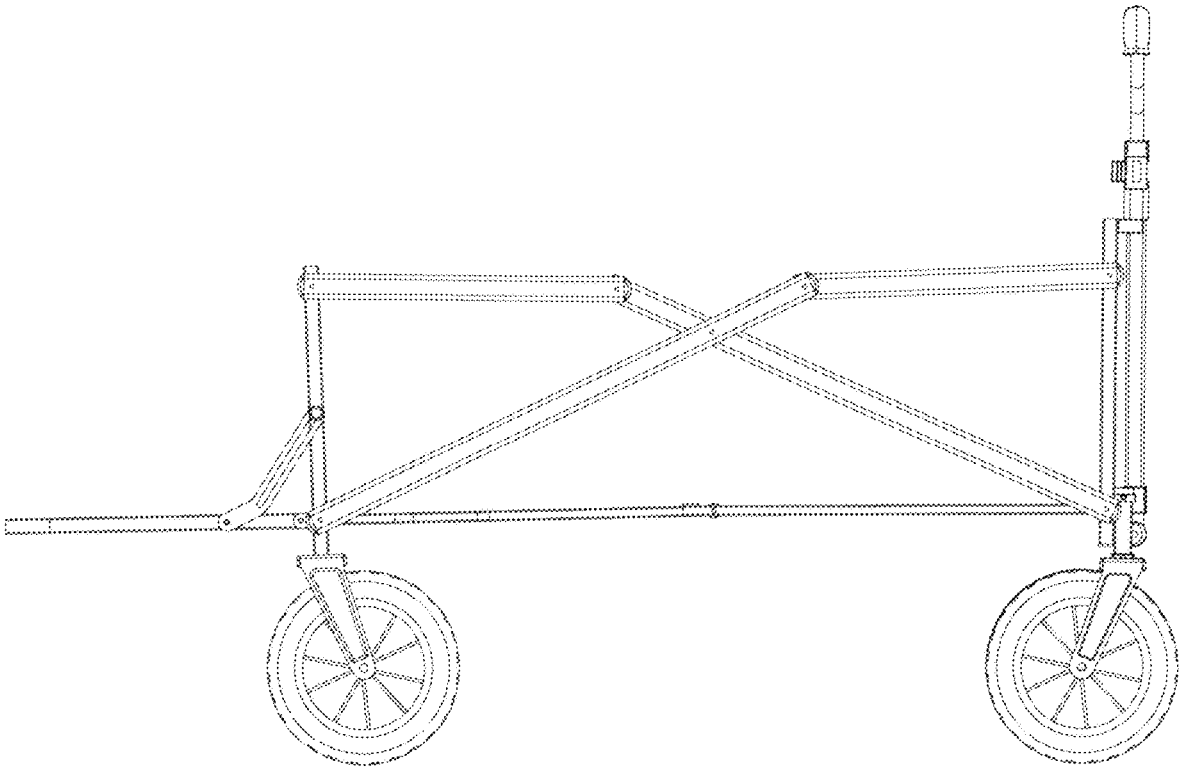


FIG. 3

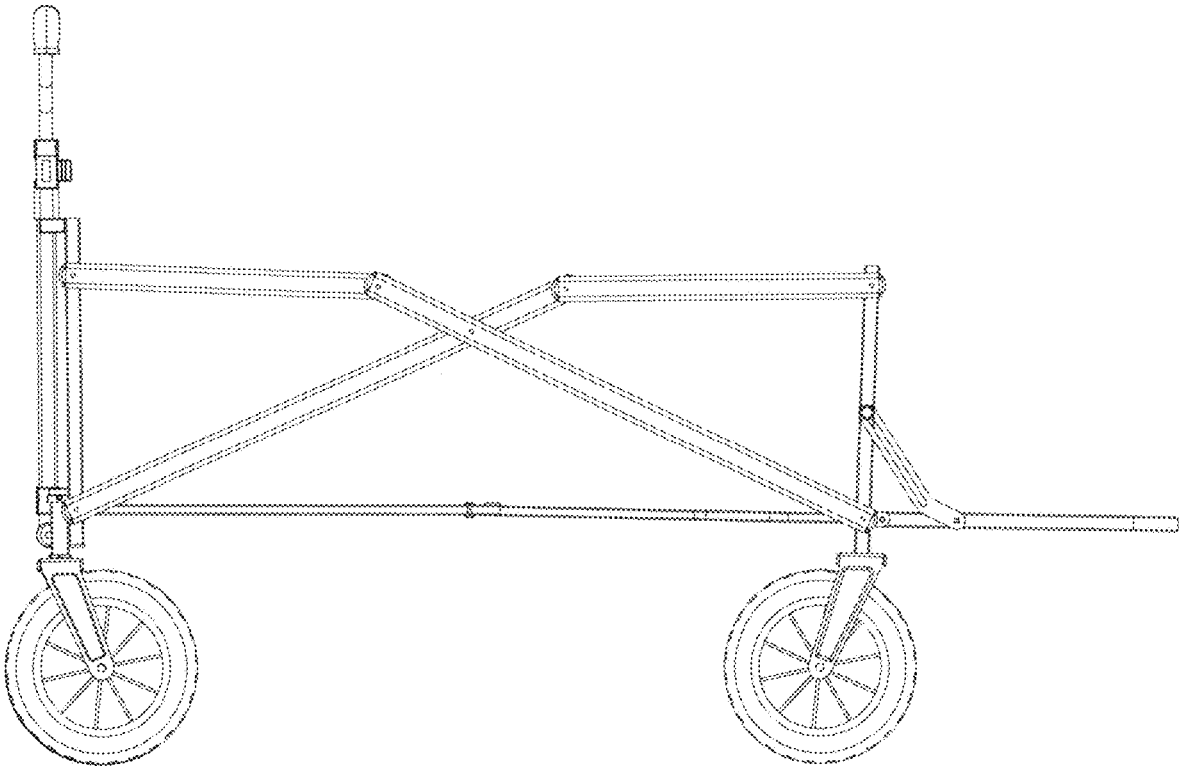


FIG. 4

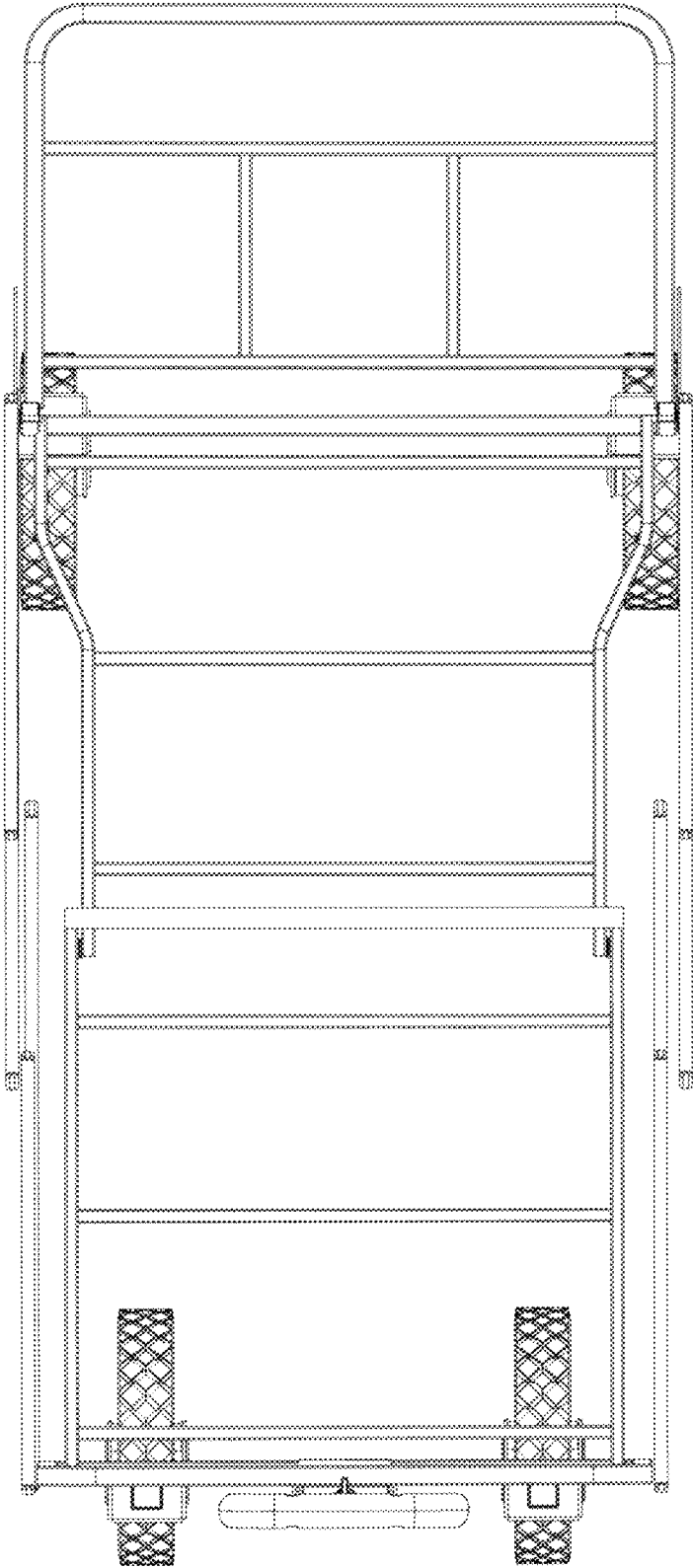


FIG. 5

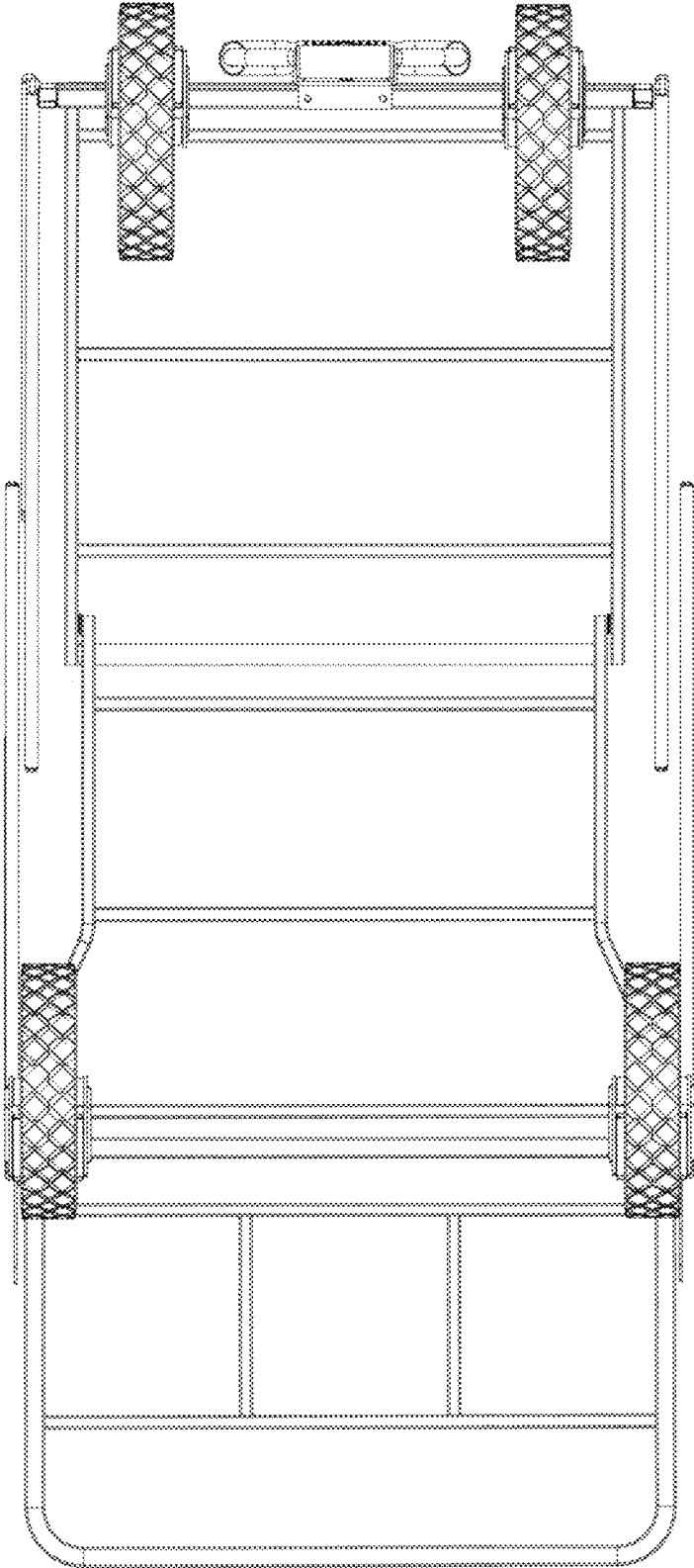


FIG. 6

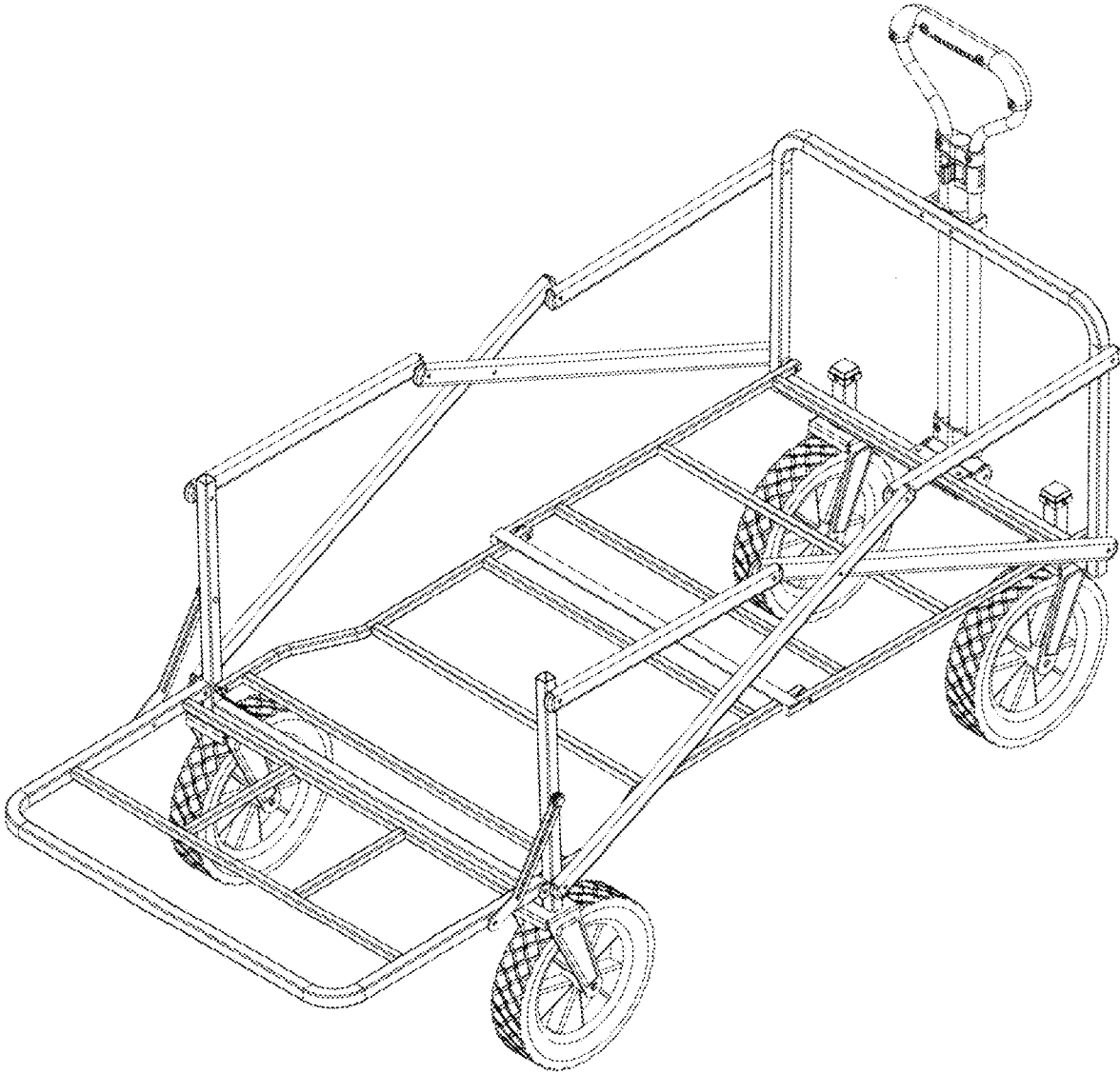


FIG. 7

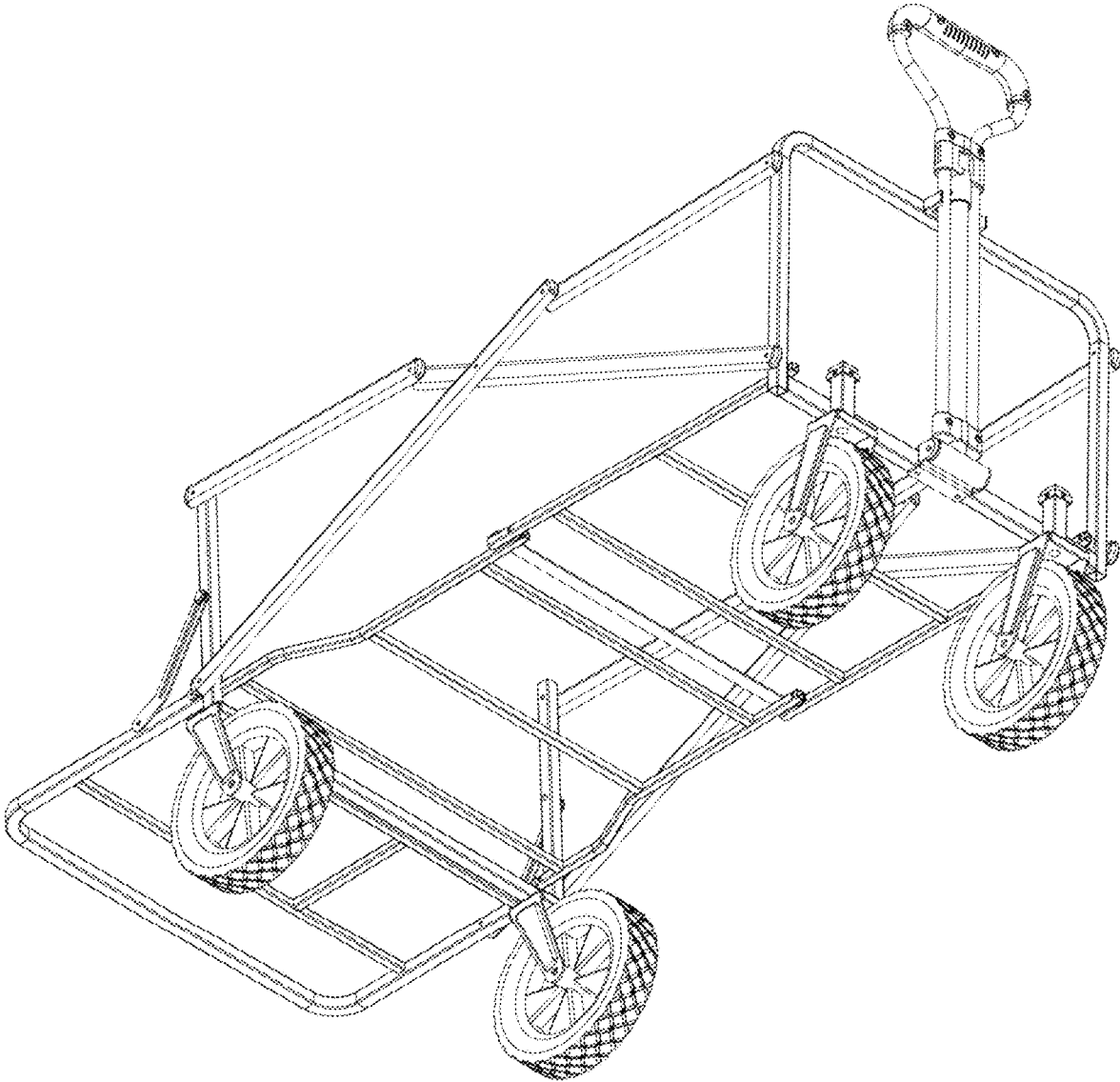


FIG. 8

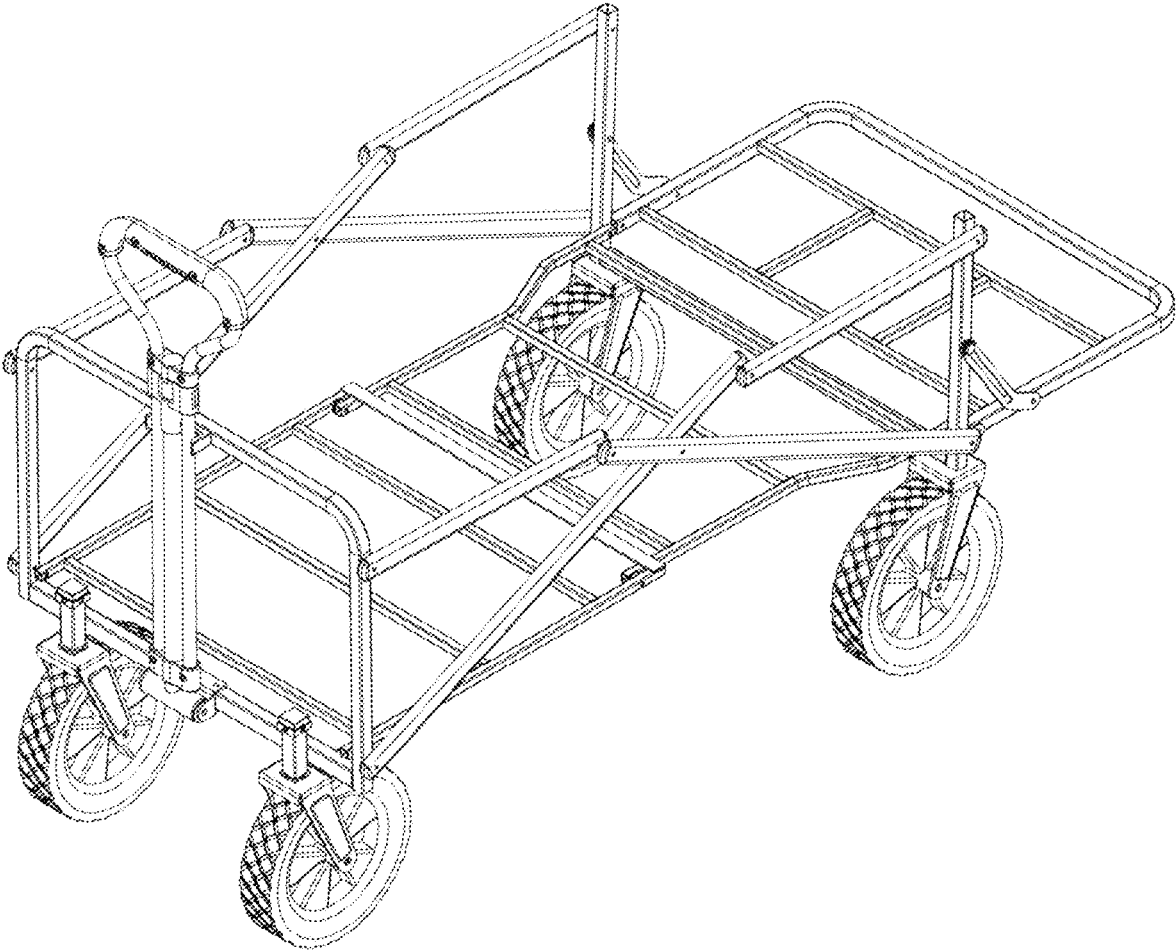


FIG. 9

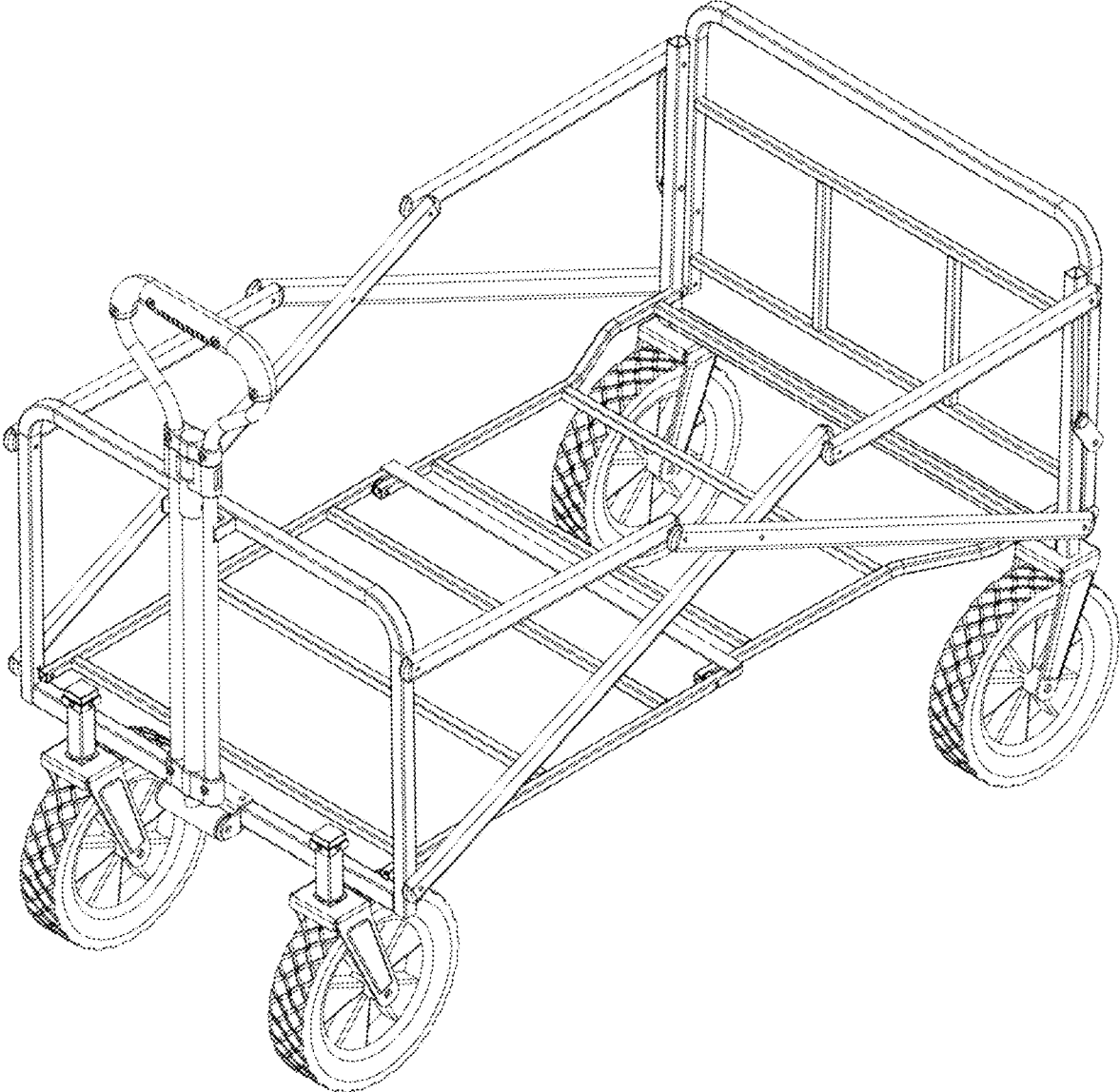


FIG. 10

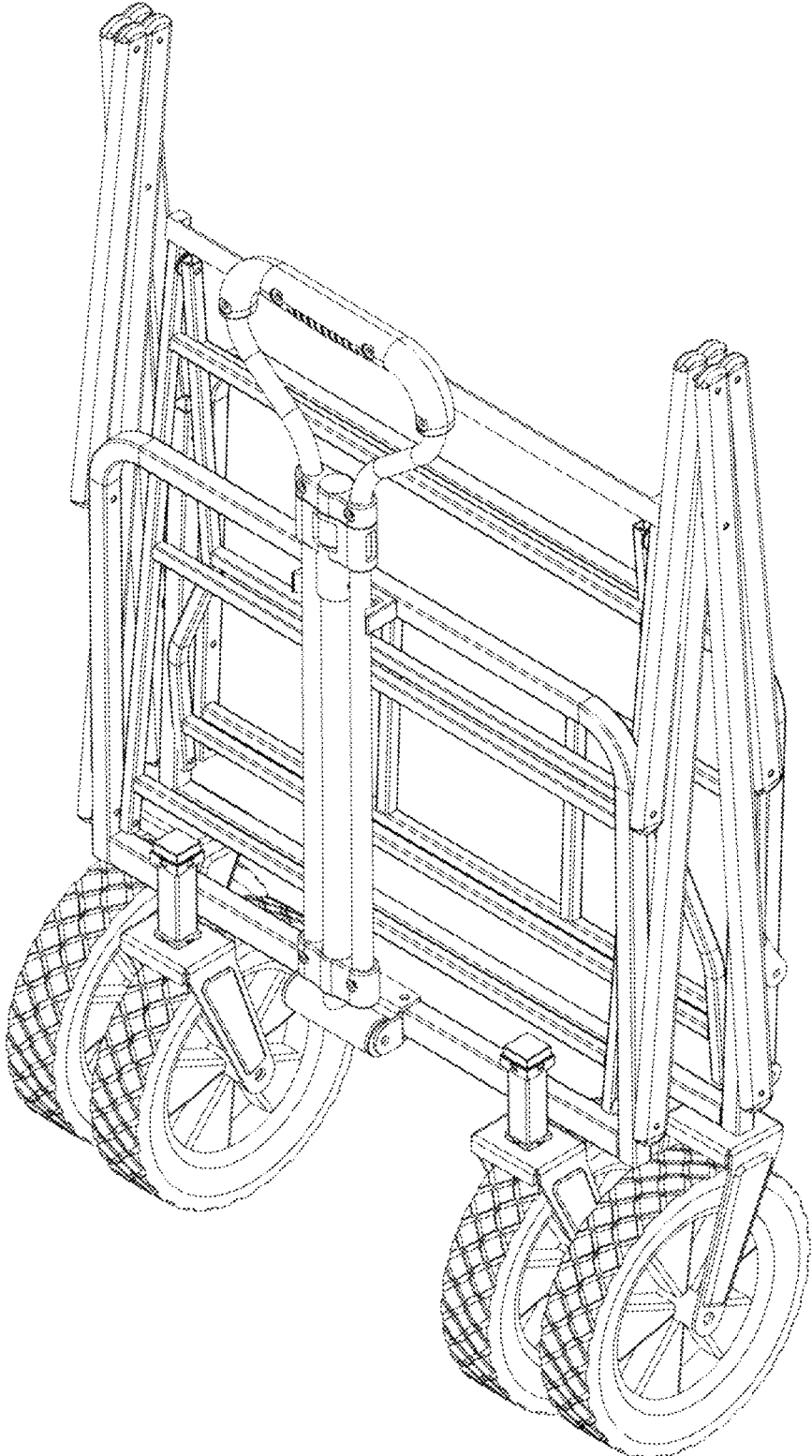


FIG. 11

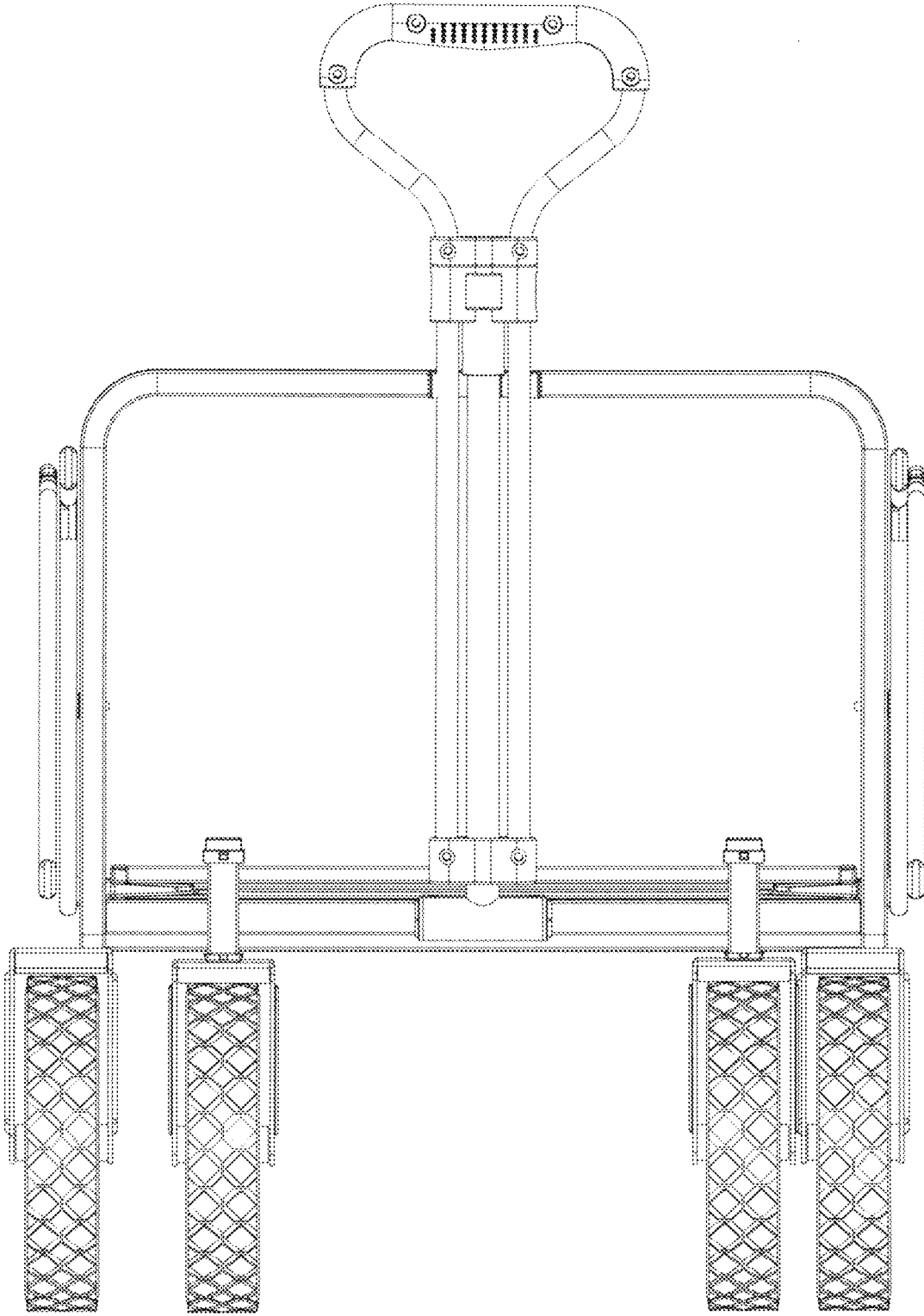


FIG. 12

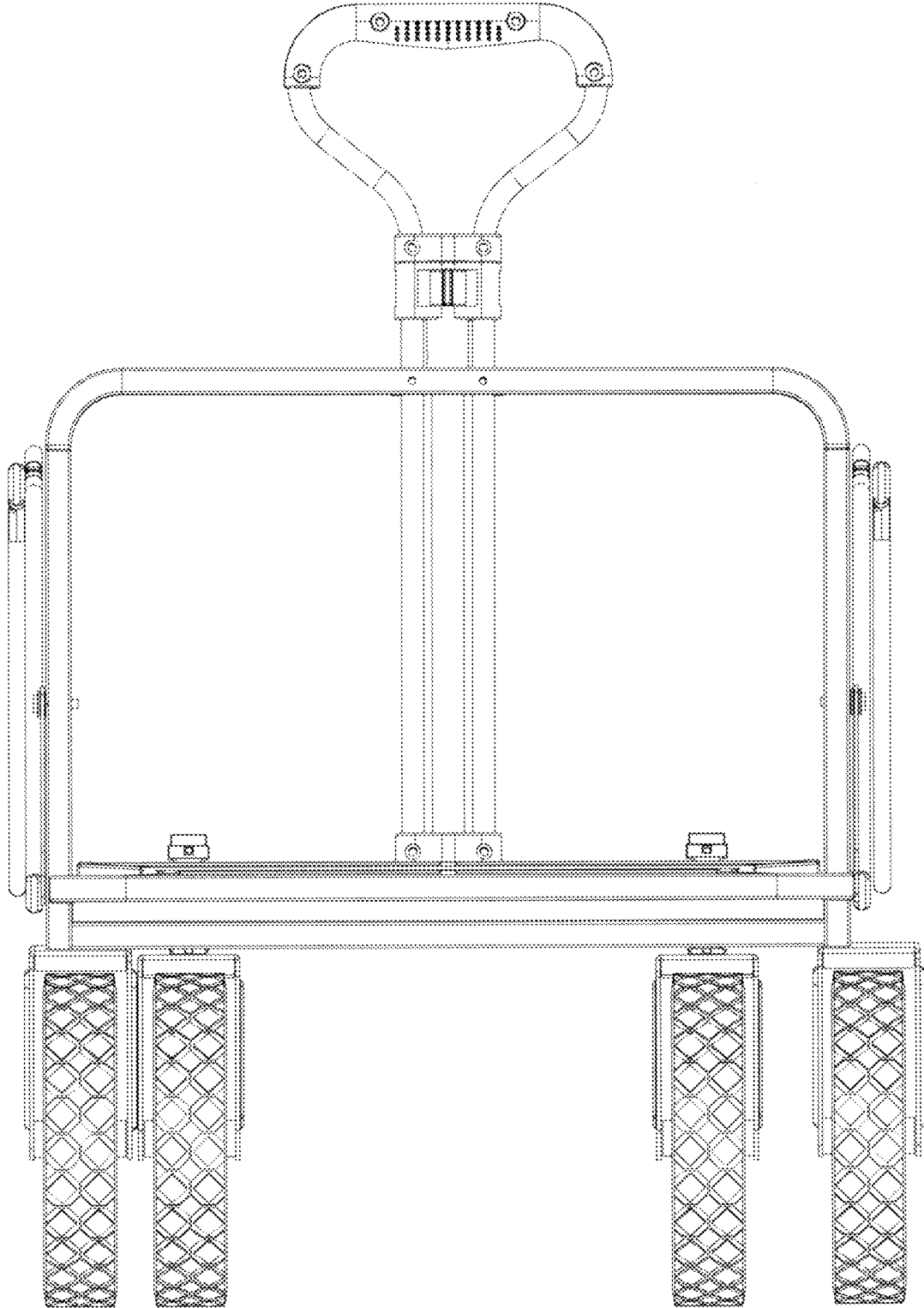


FIG. 13

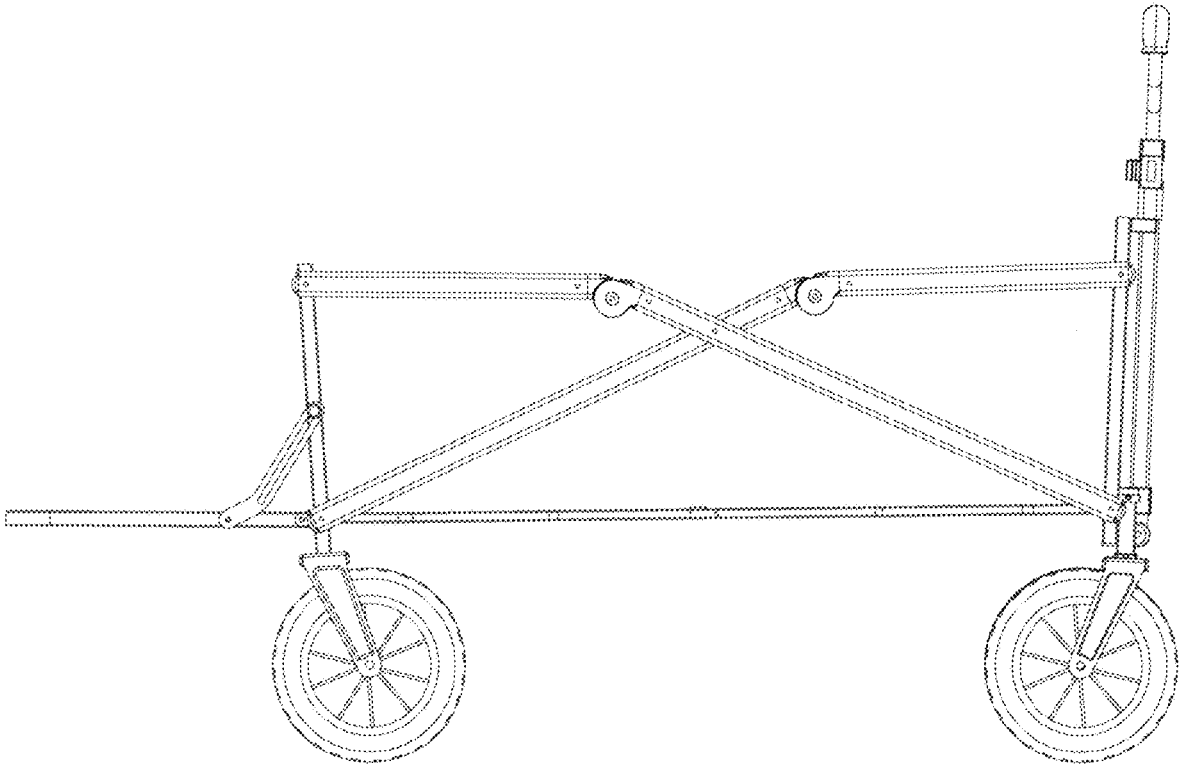


FIG. 14

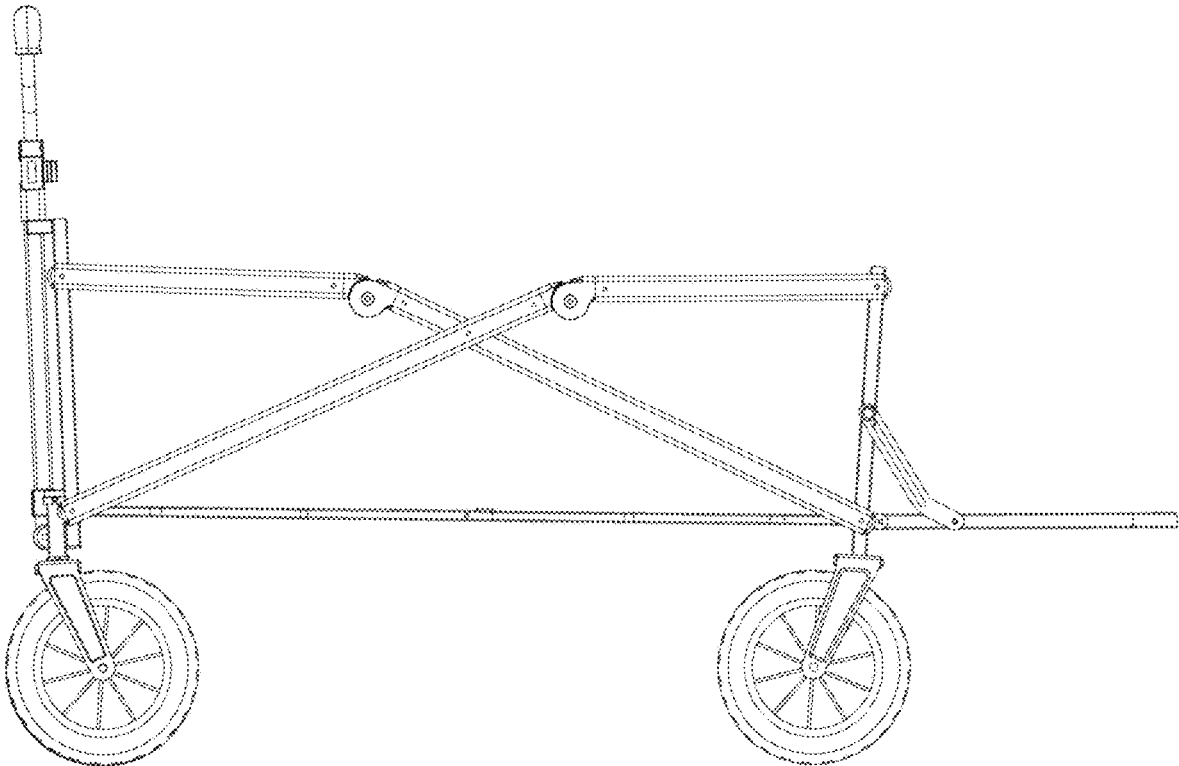


FIG. 15

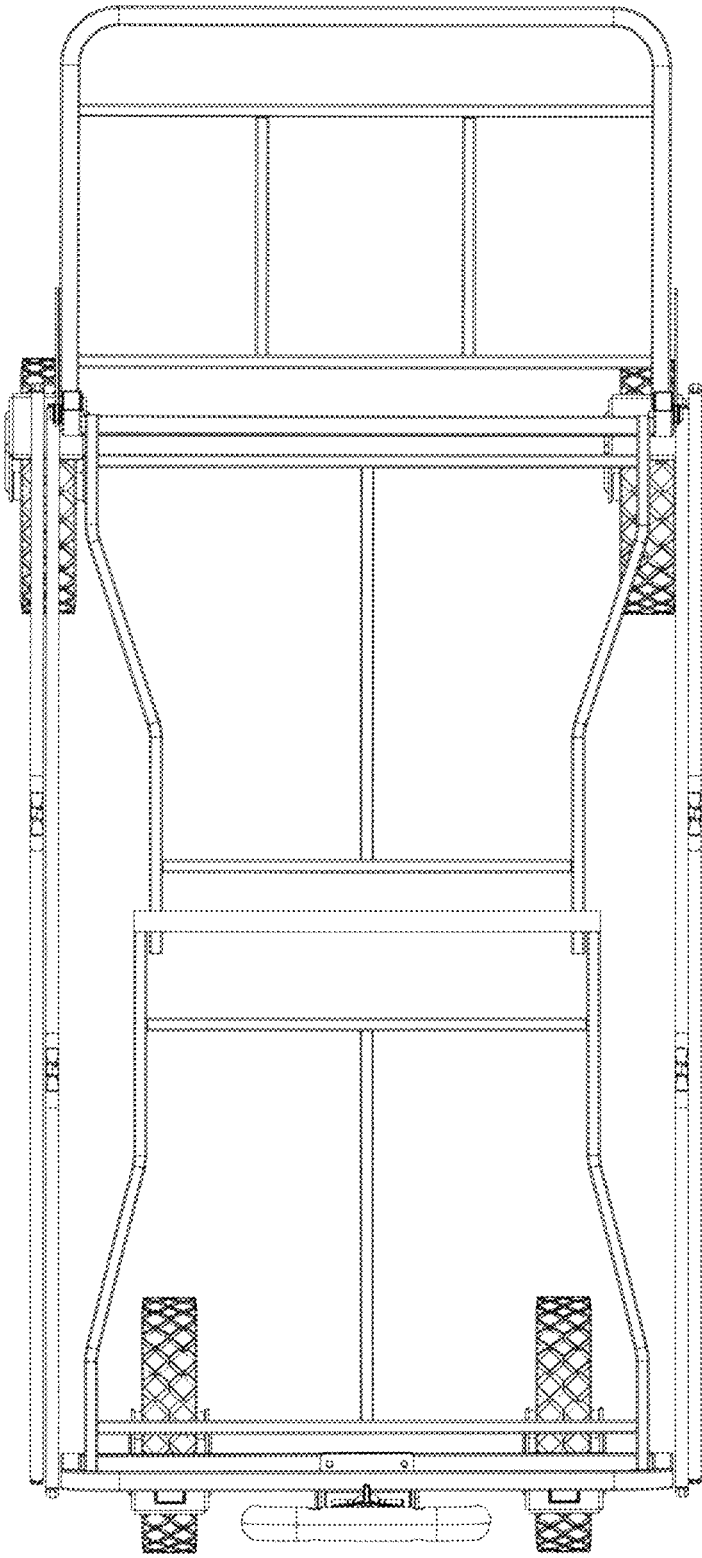


FIG. 16

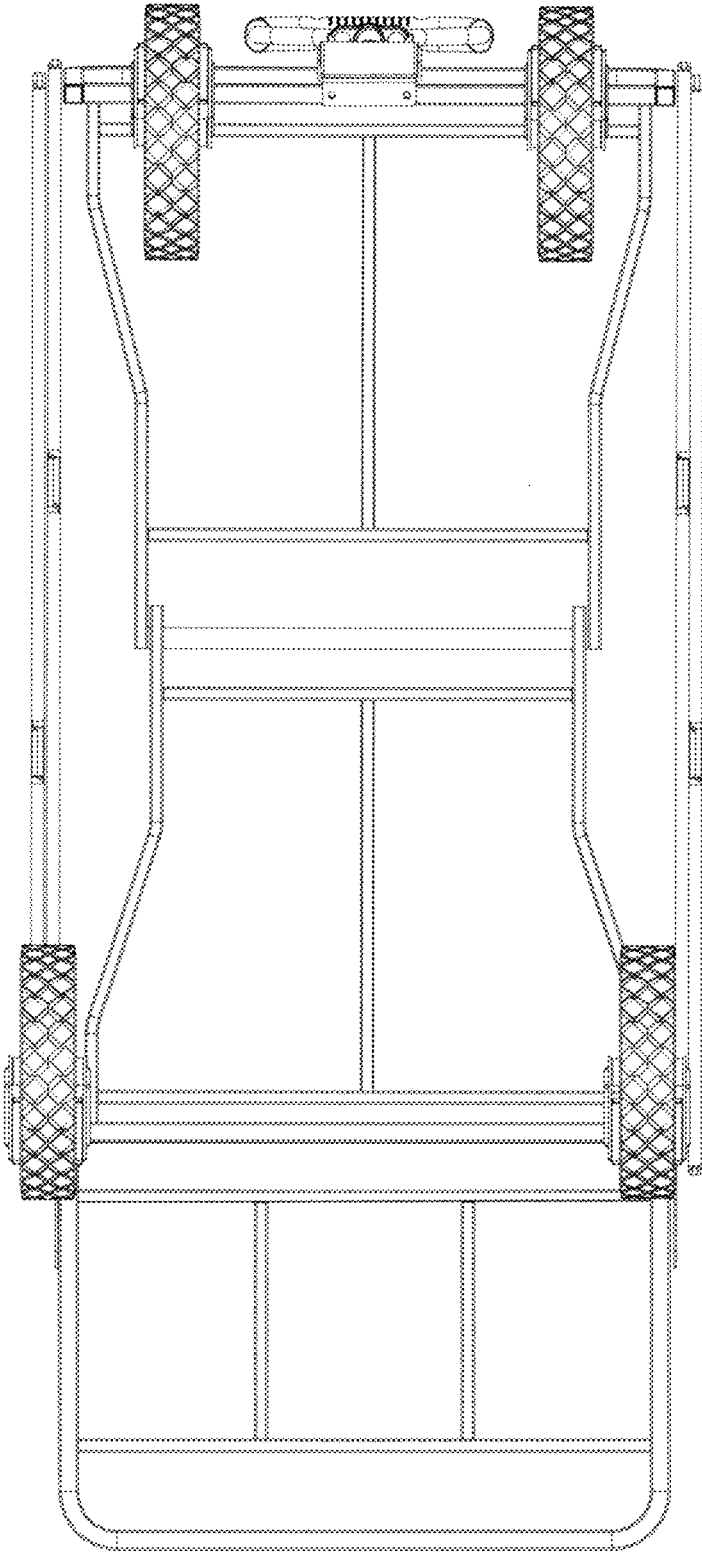


FIG 17

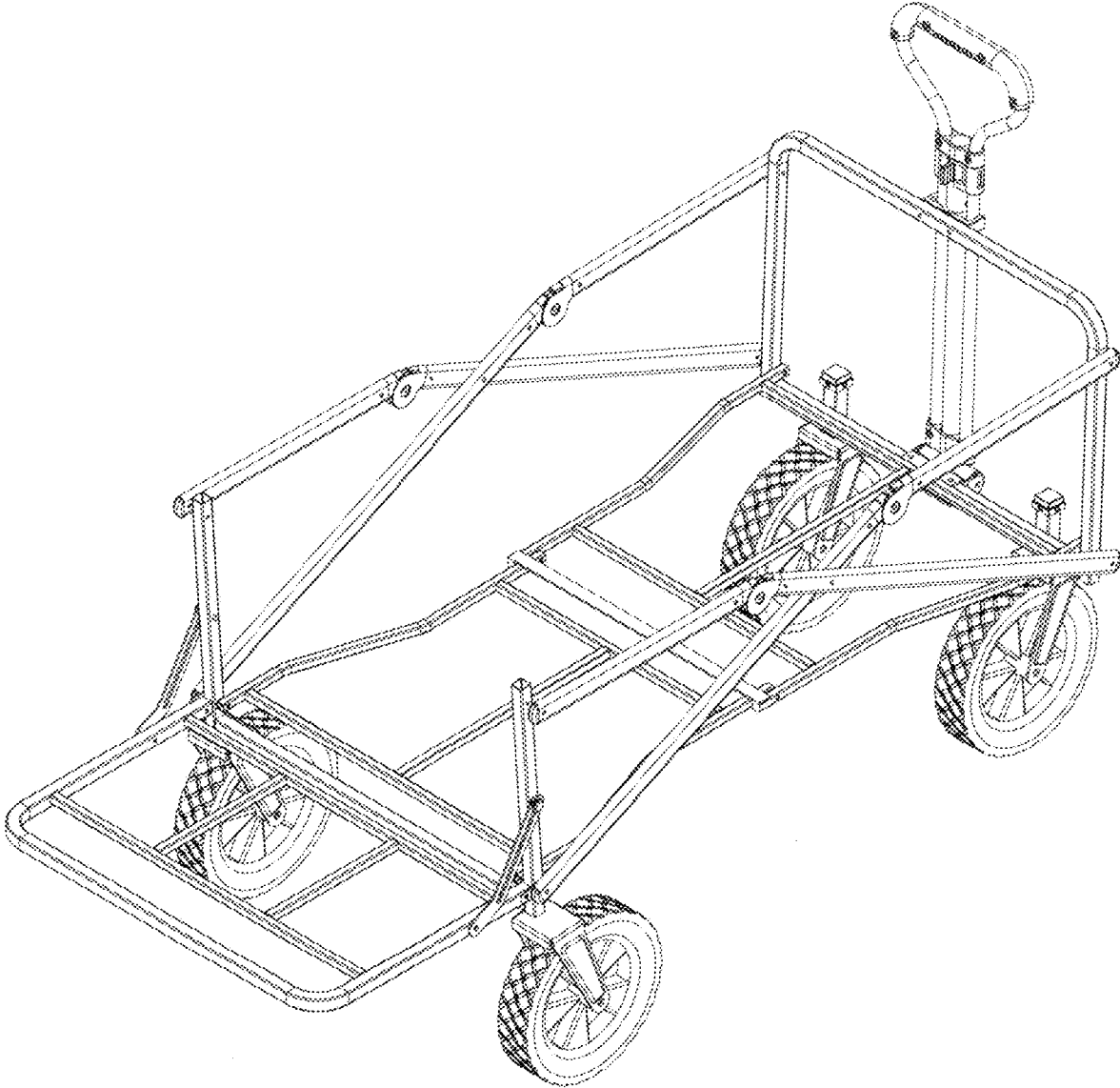


FIG. 18

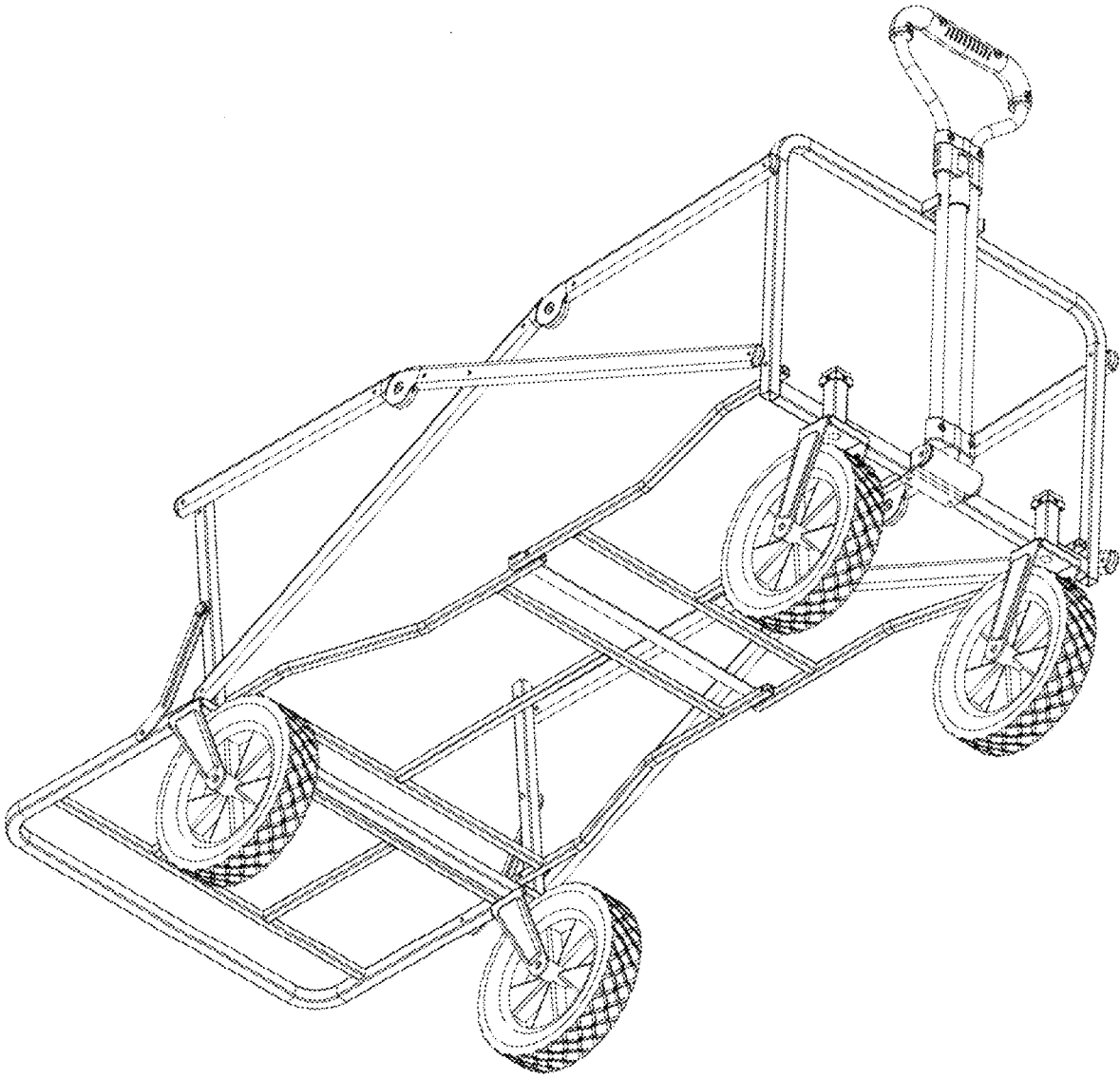


FIG. 19

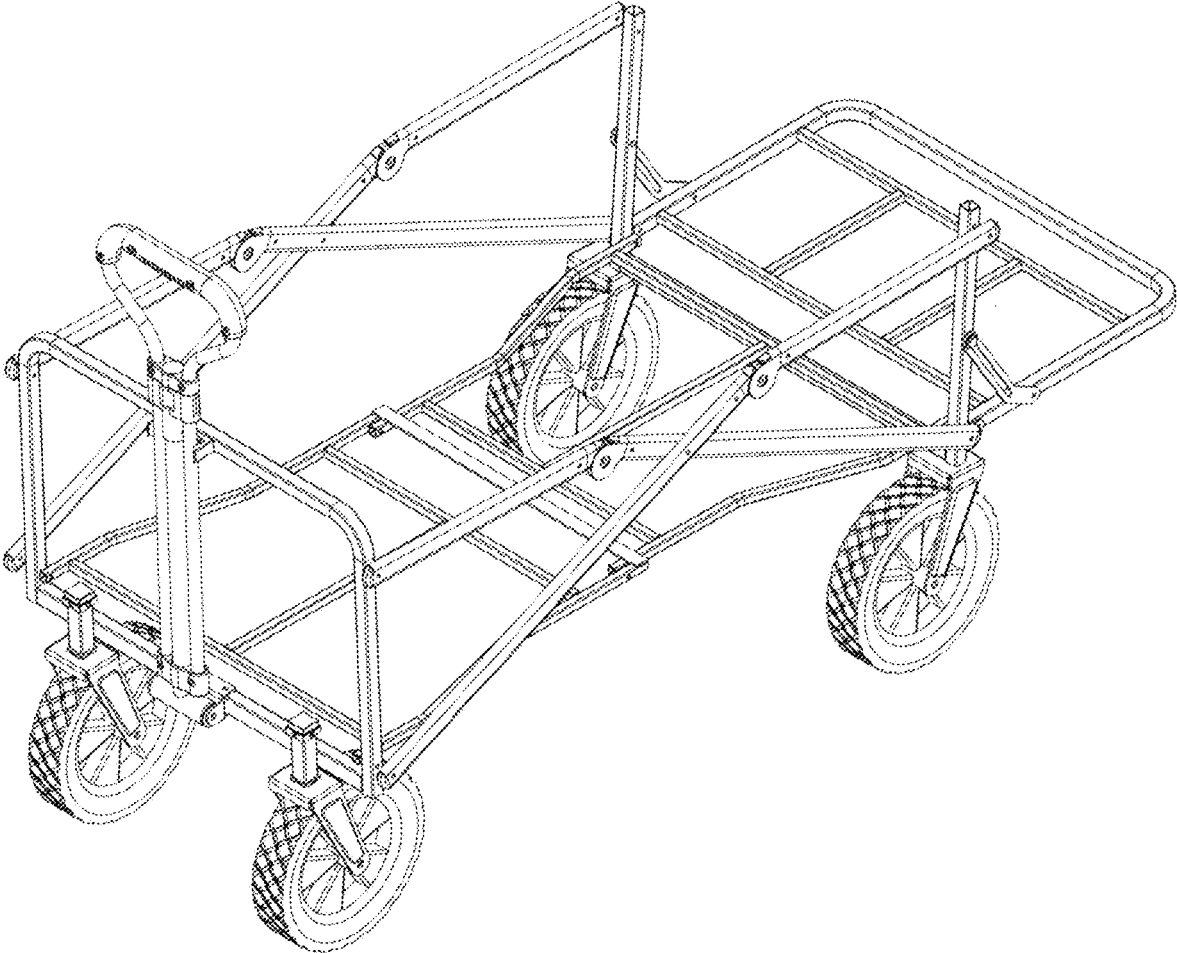


FIG. 20

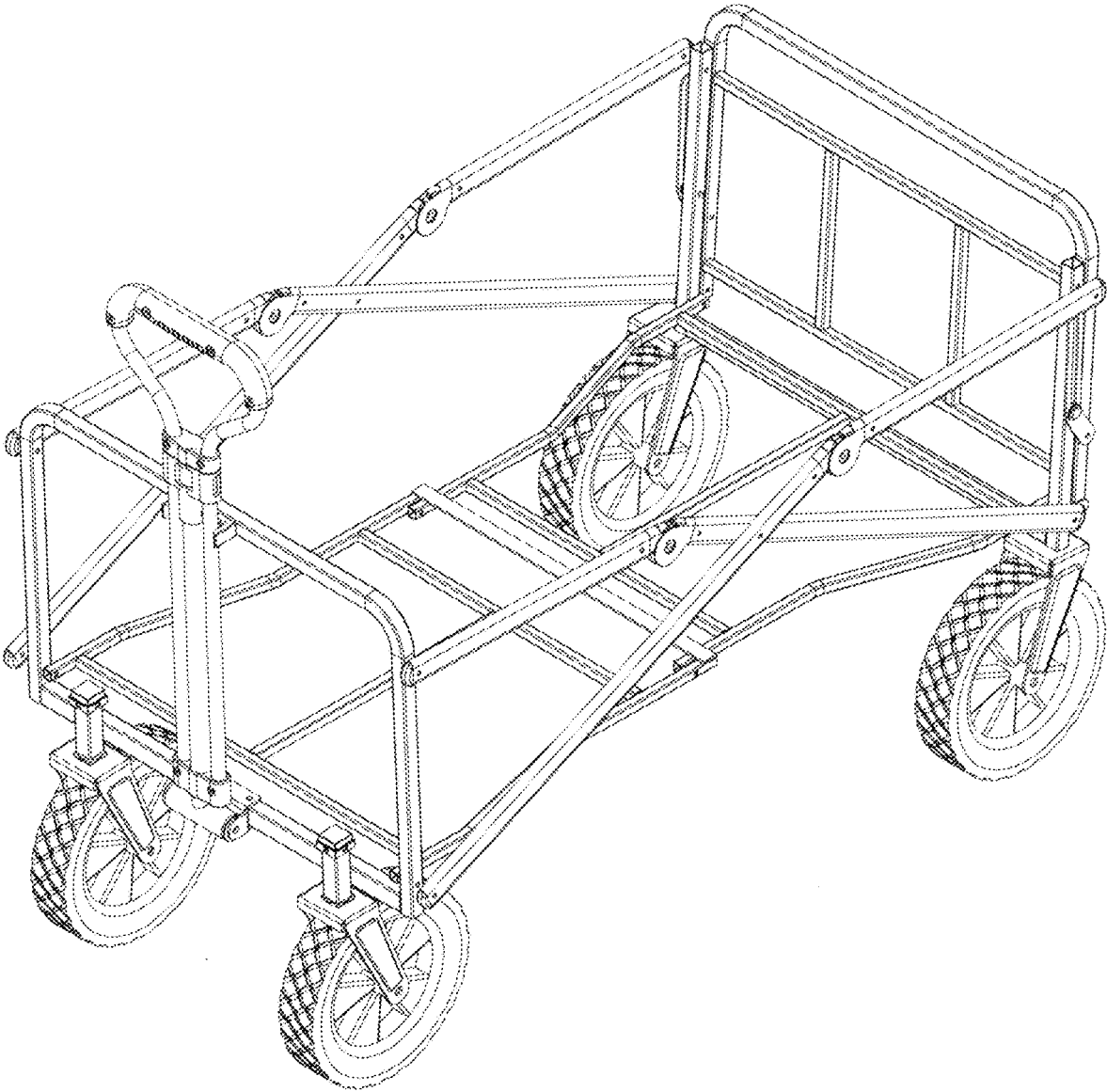


FIG. 21

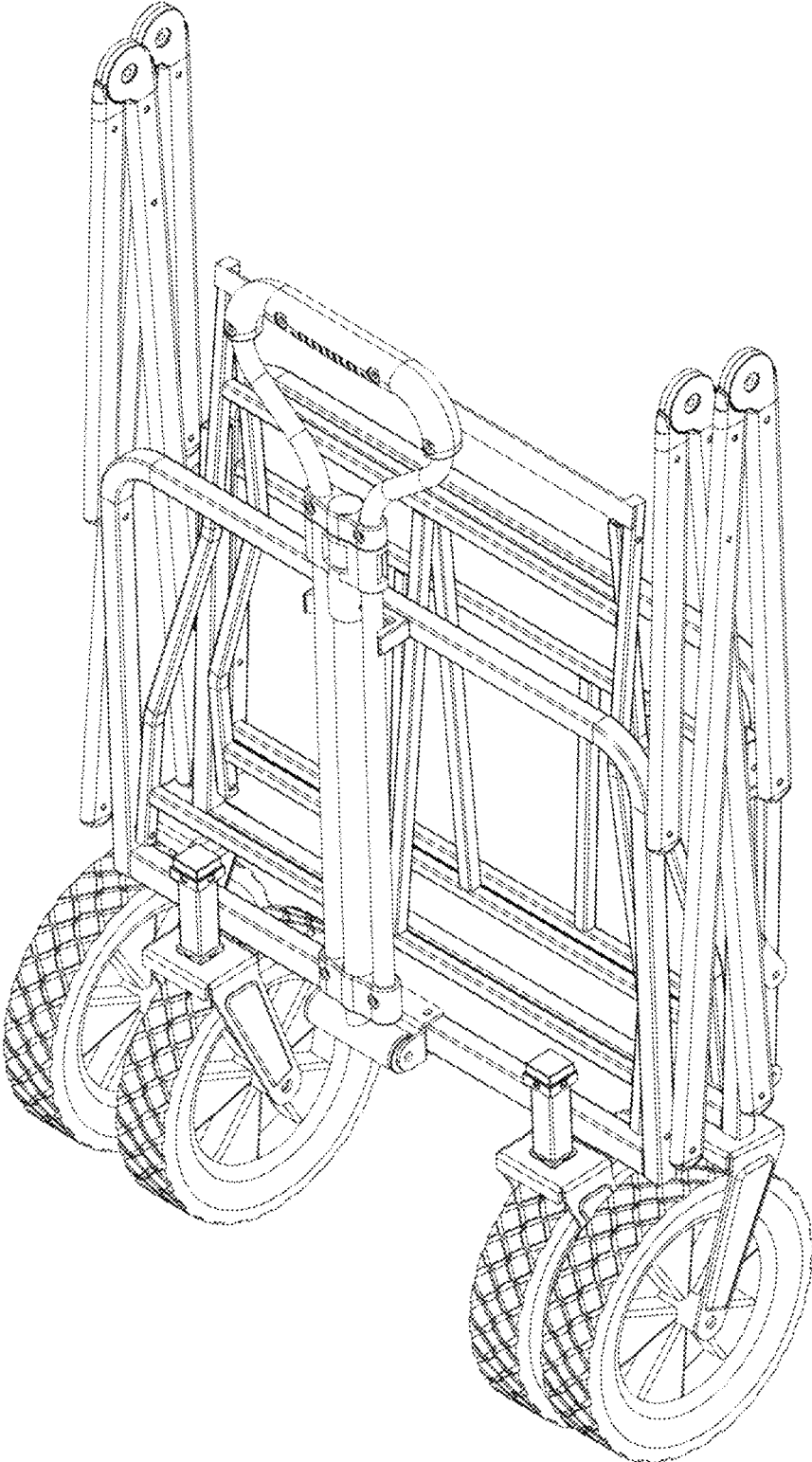


FIG. 22